

Circulator

Dual Junction Drop-In

Model: DSW1050-A

Application - WIRELESS

- ◆ EGSM 900, 1800, 1900 UMTS
- ◆ Filter Subsystems
- ◆ Hybrid Combiners
- ◆ Amplifiers

Benefits

- ◆ Low Insertion Loss
- ◆ Rugged Construction
- ◆ Excellent IM3 Performance
- ◆ Wide Temperature Range
- ◆ Magnetically Screened

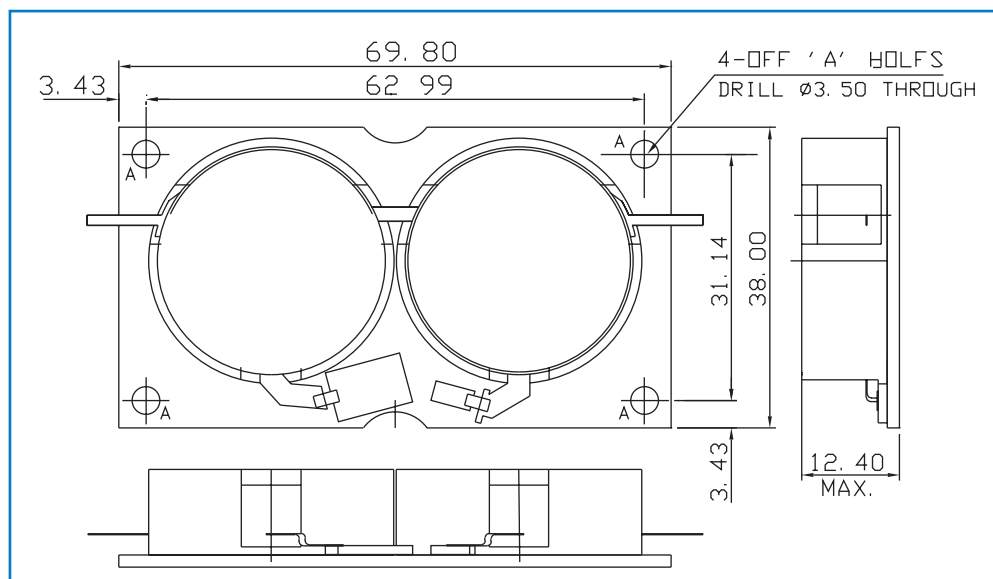
Features

- ◆ Continuous Volume Production
- ◆ Nickel Plated
- ◆ Options are CW or CCW Circulation, Tab Width & Finish
- ◆ Also Available in PCS1900/DCS1800, EGSM



Specifications

Parameter	Specification			Unit	Parameter	Specification			Unit
	Min	Typ	Max			Min	Typ	Max	
Frequency	925 - 965			MHz	Operating Temp.	-10	-	+70	°C
Isolation	50	66	-	dB	Forward Power	-	-	100	W
Insertion Loss	-	0.25	0.3	dB	Interface	Tab			-
Return Loss	23	25	-	dB					



TRAK Microwave Limited
 Dunsinane Avenue, Dundee, Scotland DD2 3QF
 Phone: +44 (0)1382 427 200 ♦ Fax: +44 (0)1382 833 599
 E-mail: trakeurope@trak.com ♦ www.trak.com

