

These drawings and specifications are the property of Densitron Corporation and may not be reproduced, copied or used without written permission

REVISIONS			
REV	DESCRIPTION	DATE	APPROVED
C	E0429		

1. **Specification subject to change without notice.**
2. **All dimensions and specifications apply to standard modules. This information may vary for modules with optional features.**
3. **All dimensions are in millimeters.**
4. **Precautions: These precautions apply equally to modules from all makers, not just Densitron. Violation of these guidelines may void the warranty and can cause problems ranging from erratic operation to catastrophic display failure.**

*Handling precautions:*

- ◆ This device is susceptible to Electro-Static Discharge (ESD) damage. Observe Anti-Static precautions.

*Power supply precautions:*

- ◆ Identify and, at all times, observe absolute maximum ratings for both logic and LC drivers. Note that there is some variance between models.
- ◆ Prevent the application of reverse polarity to V<sub>DD</sub> and V<sub>SS</sub>, however briefly.
- ◆ Use a clean power source free from transients. Power up conditions are occasionally "jolting" and may exceed the maximum ratings of the module.
- ◆ The +5V power of the module should also supply the power to all devices which may access the display. Don't allow the data bus to be driven when the logic supply to the module is turned off.
- ◆ DO NOT install a capacitor between the V<sub>O</sub> (contrast) pin and ground. V<sub>DD</sub> must, at all times, exceed the V<sub>O</sub> voltage level. The capacitor combines with the contrast potentiometer to form an R-C network which "holds-up" V<sub>O</sub>, at power-down, possibly damaging the module.

*Operating precautions:*

- ◆ DO NOT plug or unplug the module when the system is powered up.
- ◆ Minimize the cable length between the module and host MPU. (Recommended max. length 30 cm).
- ◆ For models with EL backlights, do not disable the backlight by interrupting the HV line. Unloaded inverters produce voltage extremes which may arc within a cable or at the display.
- ◆ Operate the module within the limits of the modules temperature specifications.

*Mechanical / Environmental precautions:*

- ◆ Improper soldering is the major cause of module difficulty. Use of flux cleaner is not recommended as they may seep under the elastomeric connection and cause display failure. Densitron recommends the use of Kester "245" no-clean solder.
- ◆ Mount the module so that it is free from torque and mechanical stress.
- ◆ Surface of LCD panel should not be touched or scratched. The display front surface is an easily scratched, plastic polarizer. Avoid contact and clean only when necessary with soft, absorbent cotton dampened with petroleum benzene.
- ◆ ALWAYS employ anti-static procedure while handling the module.
- ◆ Prevent moisture build-up upon the module and observe the environmental constraints for storage temperature and humidity.
- ◆ DO NOT store in direct sunlight.
- ◆ If leakage of the liquid crystal material should occur, avoid contact with this material, particularly ingestion. If the body or clothing becomes contaminated by the liquid crystal material, wash thoroughly with water and soap.

**Notes:** (unless otherwise specified)

Unless otherwise specified:  Dimensions are mm Tolerances are: X = ± 3 .X = ± 0.5 .XX = ± 0.05	APPROVALS	DATE	<b>DENSITRON CORPORATION</b> TORRANCE, CA	
	DRAWN			
	CHECKED		TITLE	4 LINE X 20 CHARACTERS LCD MODULE
	ISSUED		DWG. NO.	LM4821

## 1.0 DESCRIPTION

Dot matrix display module consisting of a Liquid Crystal Display, CMOS driver and controller LSI, printed circuit board, metal support frame and array type Light Emitting Diode (LED) backlight.

Available LC fluids types are: TN (twisted nematic), TN-H (extended temperature range TN), NTN (supertwisted nematic), NTN-H (extended temperature range NTN).

## 2.0 MECHANICAL CHARACTERISTICS

Item	Specifications	Unit
Package Dimensions	98.8 (W) x 60.2 (H) x 14.6 max. (D)	mm
Display format	4 line x 20 characters	-
Character font format	5 (W) x 7 (H) with attached cursor	dots
Driving method	1/16	duty
Dot size	0.55 (W) x 0.55 (H)	mm
Dot pitch	0.60 (W) x 0.60 (H)	mm
Character Size	2.95 (W) x 4.75 (H)	mm
Active display area	70.4 (W) x 20.8 (H)	mm
Viewing area	76.0 (W) x 25.5(H)	mm
Weight		g

Notes:W-Width;H-Height;D-Depth.

## 3.0 ABSOLUTE MAXIMUM RATINGS

VSS=0V;Ta=25°C

Item	Symbol	TN, NTN		TN-H, NTN-H		Unit
		Min.	Max.	Min.	Max.	
Logic supply voltage	VDD-VSS	0	7	0	7	V
LC driver supply voltage	VDD-VO	0	6	0	13	V
Operating temperature	TOP	0	+50	-20	+70 (Note 3)	°C
Storage temperature (Note 1)	TST	-20	+70	-30	+80	
Humidity: Operating (@40°C)	-	-	85%	-	85%	RH (Note 2)
Non-operating (@40°C)	-	-	95%	-	95%	RH (Note 2)

Notes: 1: Tested to 100 hrs.  
2: Refers to non-condensing conditions.  
3: With backlight off.

## 4.0 ELECTRICAL CHARACTERISTICS

VDD=5±0.25V;Ta=25°C

Item	Symbol	Test Condition	Min.	Typ.	Max.	Unit
Input "High" voltage	V <sub>IH</sub>	-	2.2	-	V <sub>DD</sub>	V
Input "Low" voltage	V <sub>IL</sub>	-	-	-	0.6	V
Output "High" voltage	V <sub>OH</sub>	I <sub>OH</sub> =0.205mA	2.4	-	-	V
Output "Low" voltage	V <sub>OL</sub>	I <sub>OL</sub> =1.2mA	-	-	0.4	V
Power supply current	I <sub>DD</sub>	V <sub>DD</sub> =5.0V	-	3	-	mA

DWG. NO.

LM4821

SHEET 2 OF 8

REV. C

## 5.0 RECOMMENDED LC DRIVE VOLTAGE (V<sub>DD</sub>-V<sub>O</sub>)

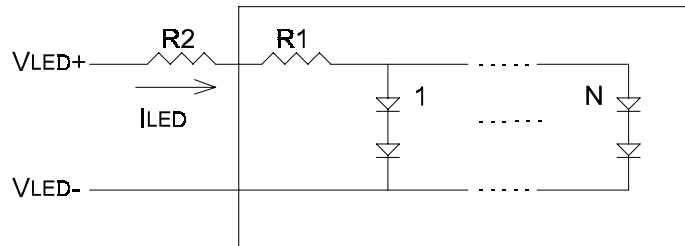
V<sub>DD</sub>=5.0±0.25V

Temperature	TN	TN-H	NTN	NTN-H
T <sub>a</sub> = -20°C	-	9.8	-	8.0
T <sub>a</sub> = 0°C	5.0	9.3	4.1	7.4
T <sub>a</sub> = 25°C	4.8	9.0	3.8	7.0
T <sub>a</sub> = 50°C	4.6	8.2	3.6	6.7
T <sub>a</sub> =70°C	-	7.6	-	6.4

## 6.0 BACKLIGHT SPECIFICATIONS:

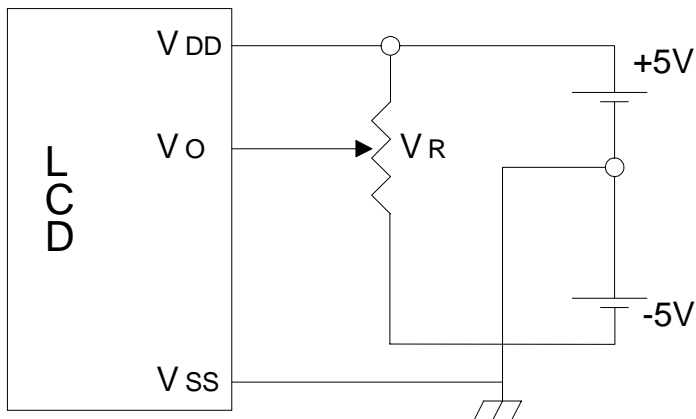
T<sub>a</sub>=20°C,60%RH,Darkroom.

Item	Symbol	Typ.	Max.	Unit
LED input voltage	V <sub>LED</sub>	5	6	V
LED input current	I <sub>LED</sub>	280	300	mA
Built-in current limiting resistor	R1	-	-	Ohms, W
External current limiting resistor (recommended)	R2	3.3 Ohm, 1/2 W	-	Ohms, W
Number of nodes	N	28	-	-

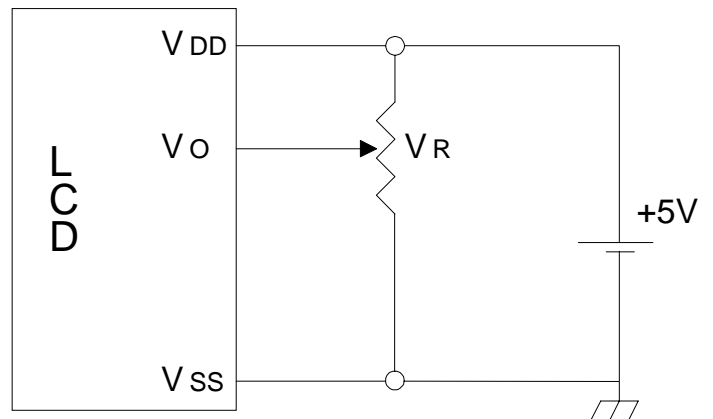


## 7.0 POWER SUPPLY

TN-H, NTN-H



TN, NTN



V<sub>R</sub> = 10K - 20K ohm

DWG. NO.

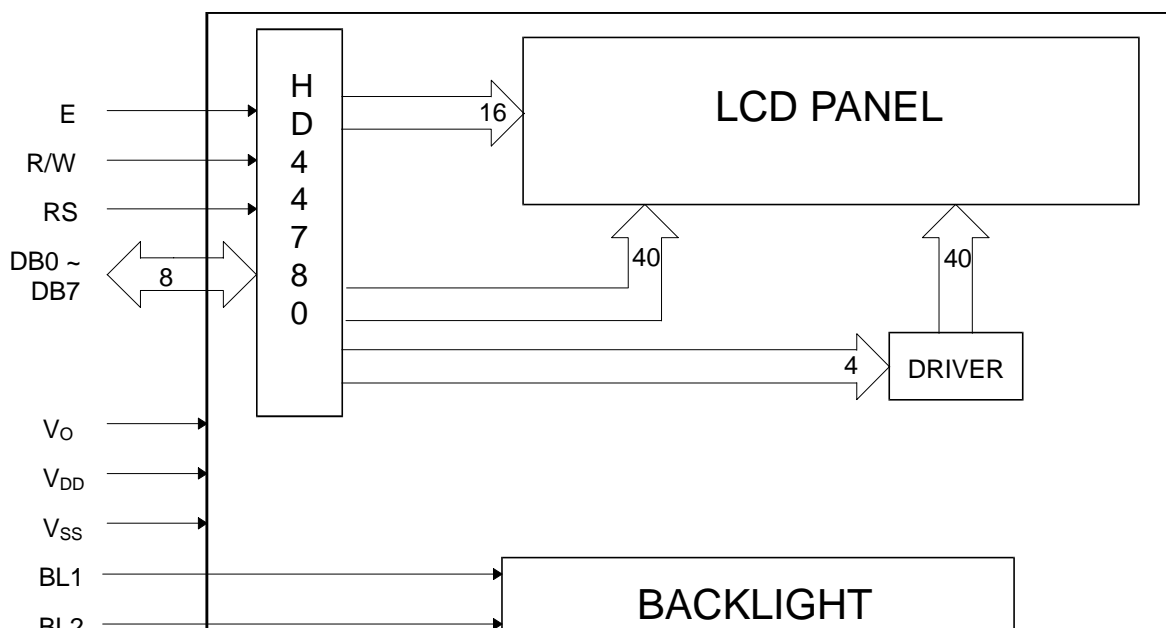
LM4821

SHEET 3 OF 8

REV. C

## 8.0 INTERFACE DESCRIPTION

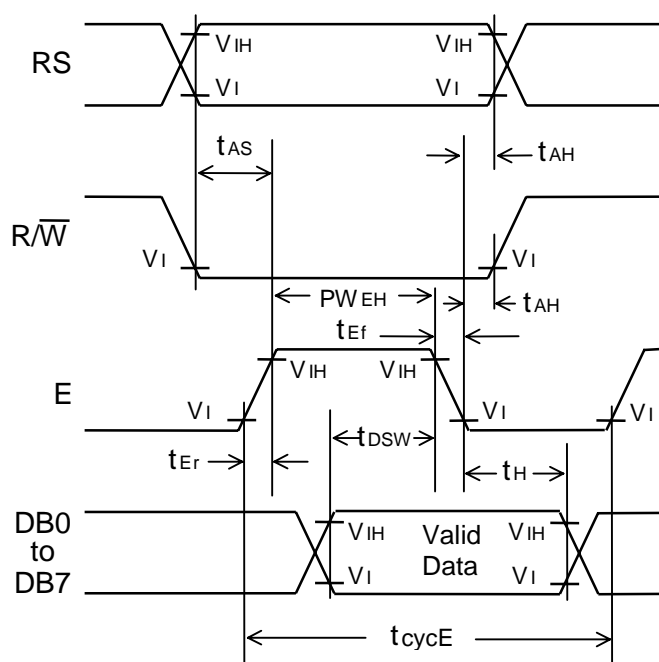
Pin No.	Symbol	I/O	Function
1	V <sub>SS</sub> , BL2	-	Ground (0V), V <sub>LED-</sub>
2	V <sub>DD</sub>	-	Logic Supply Voltage (+5V)
3	V <sub>O</sub>	-	LC Drive voltage for contrast adjustment
4	RS	I	Register Select 0: Instruction Register 1: Data Register
5	R/W	I	Read / Write 0: Data Write (Module←MPU) 1: Data Read (Module→MPU)
6	E	I	Enable Signal Active High (H→L)
7	DB0	I/O	Bi-directional data bus line 0
8	DB1	I/O	Bi-directional data bus line 1
9	DB2	I/O	Bi-directional data bus line 2
10	DB3	I/O	Bi-directional data bus line 3
11	DB4	I/O	Bi-directional data bus line 4
12	DB5	I/O	Bi-directional data bus line 5
13	DB6	I/O	Bi-directional data bus line 6
14	DB7	I/O	Bi-directional data bus line 7
15	BL1	-	Supply voltage for backlight (+5V), V <sub>LED+</sub>
BL1	V <sub>LED+</sub>	-	Anode (+); LED backlight input voltage
BL2	V <sub>LED-</sub>	-	Cathode (-); LED backlight input voltage



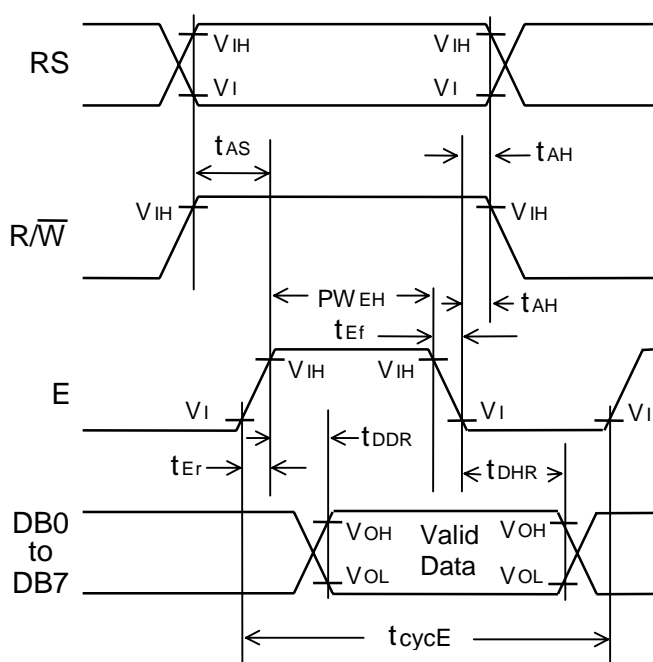
## 10.0 TIMING CHARACTERISTICS

Item	Symbol	Min.	Typ.	Max.	Unit
Enable cycle time	$T_{cycE}$	500	-	-	nS
Enable pulse width	$PW_{EH}$	230	-	-	nS
Enable rise / fall time	$t_{Er}/t_{Ef}$	-	-	20	nS
Address set-up time	$t_{AS}$	40	-	-	nS
Address hold time	$t_{AH}$	10	-	-	nS
Data delay time	$t_{DDR}$	-	-	160	nS
Data hold time (Write)	$t_{DHW}$	10	-	-	nS
Data hold time (Read)	$t_{DHR}$	5	-	-	nS
Data set-up time	$t_{DSW}$	80	-	-	nS

### WRITE OPERATION



### READ OPERATION



## 11.0 DD RAM ADDRESS vs. DISPLAY POSITION

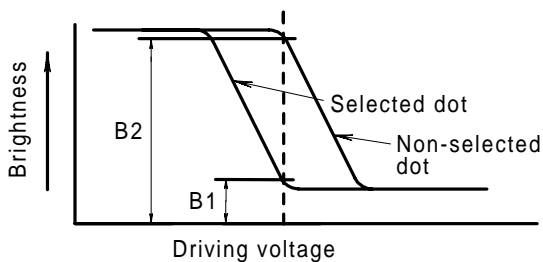
Character	1	2	3	4	5	6	7	8	9	10	11	---	18	19	20
Line 1	00	01	02	03	04	05	06	07	08	09	0A	---	11	12	13
Line 2	40	41	42	43	44	45	46	47	48	49	4A	---	51	52	53
Line 3	14	15	16	17	18	19	1A	1B	1C	1D	1E	---	25	26	27
Line 4	54	55	56	57	58	59	5A	5B	5C	5D	5E	---	65	66	67

## 12.0 OPTICAL CHARACTERISTICS

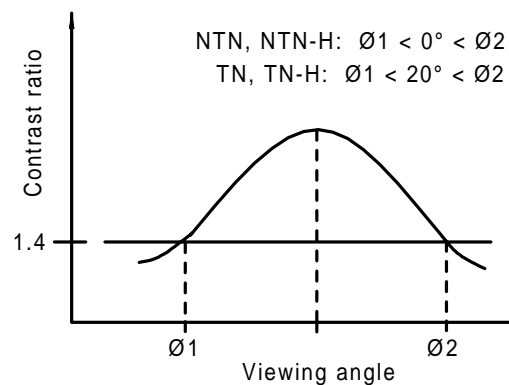
Item	Symbol	Test Condition	Min.	Typ.	Max.	Unit
Contrast ratio TN, TN-H	K	$\theta=20^\circ \theta=0^\circ$	3	-	-	-
Contrast ratio NTN	K	$\theta=20^\circ \theta=0^\circ$	4	-	-	-
Contrast ratio NTN-H	K	$\theta=20^\circ \theta=0^\circ$	5	-	-	-
Viewing angle TN, TN-H	$\theta$	$\theta=0^\circ K \geq 1.4$ $\theta=20^\circ K=1.4$	20 $\pm 30$	-	-	Deg. Deg.
Viewing angle NTN	$\theta$	$\theta=0^\circ K \geq 1.4$ $\theta=20^\circ K=1.4$	40 $\pm 30$	-	-	Deg. Deg.
Viewing angle NTN-H	$\theta$	$\theta=0^\circ K \geq 1.4$ $\theta=20^\circ K=1.4$	40 $\pm 40$	-	-	Deg. Deg.
Response time Rise	$t_r$	$\theta=20^\circ \theta=0^\circ$	-	150	250	mS
Fall	$t_f$	$\theta=20^\circ \theta=0^\circ$	-	150	250	mS

DEFINITION OF CONTRAST RATIO (K)

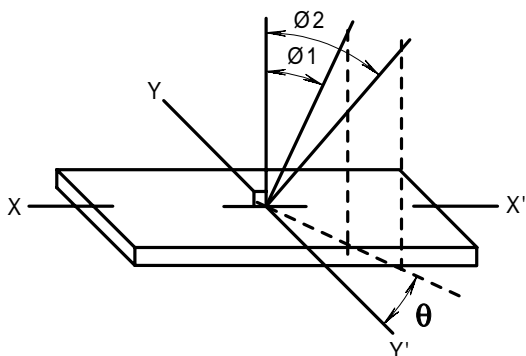
$$K = \frac{\text{Brightness of non-selected dots}}{\text{Brightness of selected dots}}$$



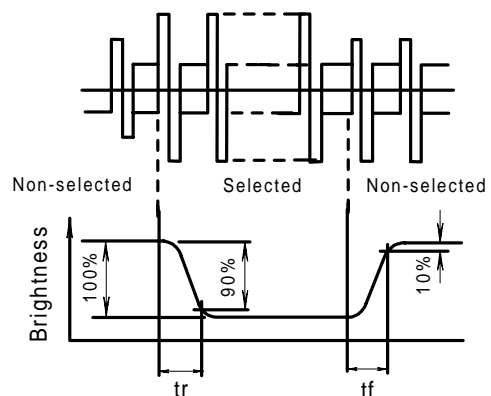
CONTRAST VERSUS VIEWING ANGLE



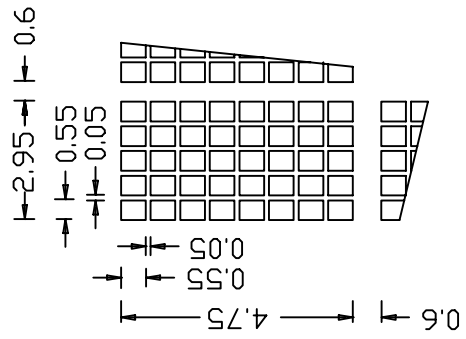
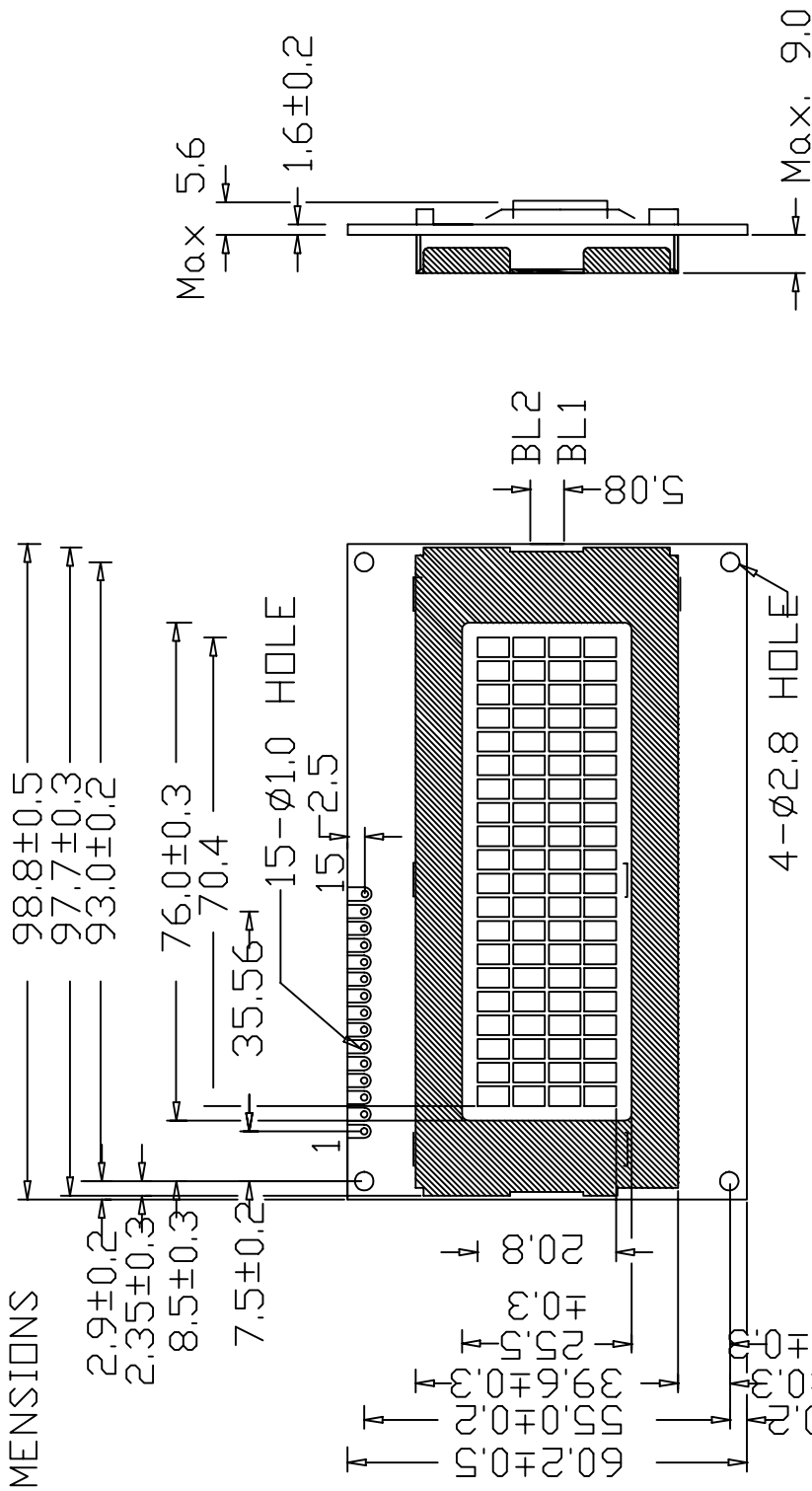
DEFINITION OF ANGLES  $\theta$  AND  $\theta$



DEFINITION OF OPTICAL RESPONSE



# 13.0 MODULE DIMENSIONS



## 14.0 PART NUMBER DESCRIPTION FOR AVAILABLE OPTIONS

# LM4821①②4C20③④⑤

①

### **Polarizer Type**

B = Transflective: light background with LED backlight  
E = Transmissive: dark background with LED backlight  
F = Transmissive: light background with LED backlight

②

### **Backlight Color**

G = Yellow-green (standard)  
R = Red

③

### **Fluid Type and Power Supply**

C = TN with +5VDC operation or TN-H with  $\pm 5$ VDC operation  
S = NTN with +5VDC operation  
H = NTN-H with  $\pm 5$ VDC operation

④

### **Fluid Type/TN Viewing Direction**

B = TN, TN-H bottom viewing  
T = TN, TN-H top viewing  
N = NTN, NTN-H

⑤

### **Background Color for NTN, NTN-H or TN Temperature Range**

B = Blue background  
G = Gray background  
Y = Yellow background  
H = TN-H

DWG. NO.

LM4821

SHEET 8 OF 8

REV. C