

ZW6



TRCELECTRONICS, INC.

"Authorized Distributor"

135 Pasadena Ave.

Lodi, NJ 07644 USA

Tel: (973) 779-8282

Fax: (973) 779-1490

sales@trcelectronics.com

http://www.trcelectronics.com

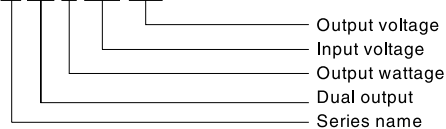
Contact TRC for pricing, availability, and technical assistance.

Z Series DC- DC converter designed for small size and high reliability

- Isolated between input- output
- Built- in overcurrent protection circuit
- Small and compact size
- Five- year warranty

ORDERING INFORMA

ZW60512



SPECIFICATIONS

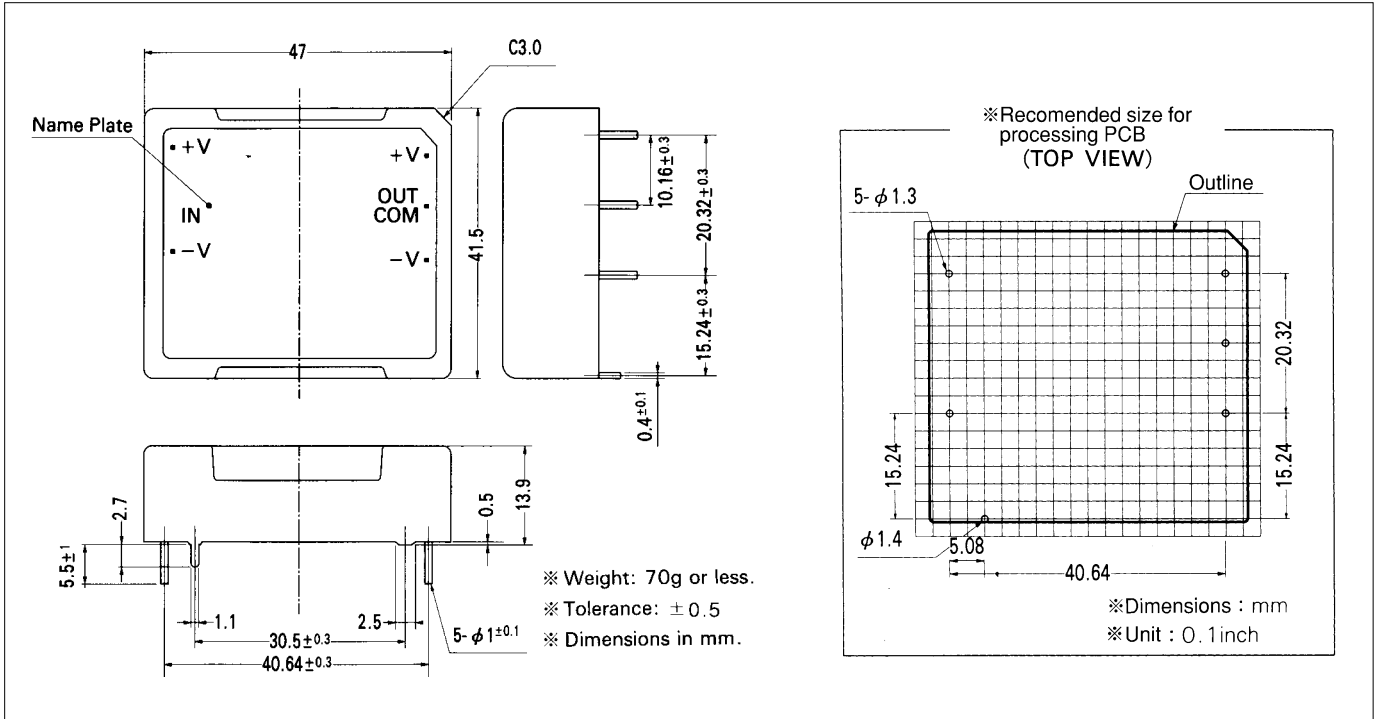
Output pins can be connected in series to make a 24V/ 30V output.

MODEL		ZW60512	ZW60515	ZW61212	ZW61215	ZW62412	ZW62415	ZW64812	ZW64815
INPUT	VOLTAGE [V]	5 (4.5~6.0)		12 (10~15)		24 (20~30)		48 (35~63)	
	EFFICIENCY [%]	65 typ		70 typ		74 typ		70 typ	
Z OUTPUT	VOLTAGE [V]	±12 (+24)	±15 (+30)	±12 (+24)	±15 (+30)	±12 (+24)	±15 (+30)	±12 (+24)	±15 (+30)
	CURRENT [A]	0.25	0.2	0.25	0.2	0.25	0.2	0.25	0.2
	LINE REGULATION [mV]	60 max	75 max	60 max	75 max	60 max	75 max	60 max	75 max
	LOAD REGULATION [mV]	600 max	750 max	600 max	750 max	600 max	750 max	600 max	750 max
	RIPPLE [mVp-p]	120 max		120 max		120 max		120 max	
	RIPPLE NOISE [mVp-p]	120 max		120 max		120 max		120 max	
	TEMPERATURE COEFFICIENT [mV] 0~+50°C	120 max	150 max	120 max	150 max	120 max	150 max	120 max	150 max
OUTPUT VOLTAGE SET (FIXED) [%]	±5 max (Rated input/ output, Ta=25 ^a)								
PROTECTION CIRCUIT	OVERCURRENT PROTECTION	Works over 105% of rating and recovers automatically							
ISOLATION	INPUT, OUTPUT, CASE	AC500V, 1 minute, Cutoff current=10mA, DC500V, 50M [?] min. (At Room Temperature)							
ENVIRONMENT	OPERATING TEMP. AND HUMID.	- 10~+ 60 ^a ,20~90%RH(Non condensing) (Refer to DERATING CURVE)							
	STORAGE TEMP. AND HUMID.	- 20~+ 75 ^a ,20~90%RH(Non condensing)							
	VIBRATION	10~55Hz, 2G, 3 minutes period, 30 minutes along X, Y and Z axis							
	IMPACT	50G, 11 mS,once each X,Y and Z axis							

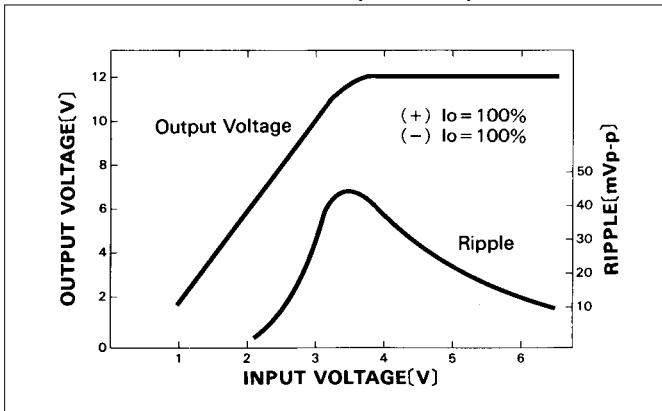
¹ The output specification is at ±12V and ±15V.
² Parallel operation with other model is not possible.

MODEL	ZW6			ZW6			
	0512	1212	2412	4812	0515	1215	2415
MAX OUTPUT WATTAGE	6.0 W			6.0 W			
DC OUTPUT VOLTAGE	± 12V (+ 24V)			± 15V (+ 30V)			
DC OUTPUT CURRENT	0.25 A			0.2 A			

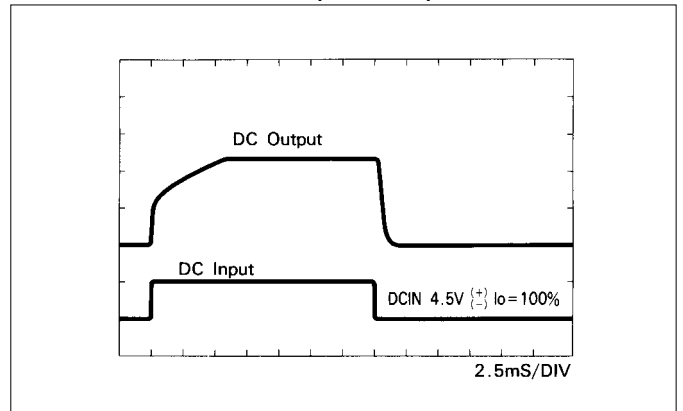
EXTERNAL VIEW



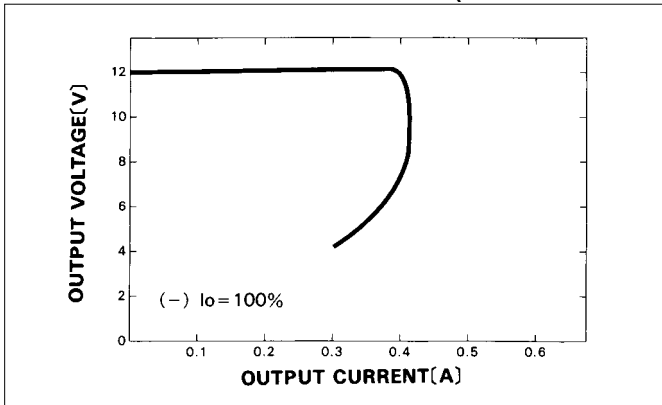
STATIC CHARACTERISTICS (ZW60512)



RISE TIME & FALL TIME (ZW60512)



OVERCURRENT CHARACTERISTICS (ZW60512)



DERATING CURVE

