

# ZS1R5



## TRCELECTRONICS, INC.

"Authorized Distributor"

135 Pasadena Ave.

Lodi, NJ 07644 USA

Tel: (973) 779-8282

Fax: (973) 779-1490

sales@trcelectronics.com

http://www.trcelectronics.com

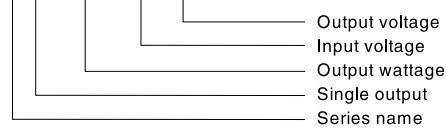
Contact TRC for pricing, availability, and technical assistance.

Z Series DC- DC converter designed for small size and high reliability

- Isolated between input- output
- Built- in overcurrent protection circuit
- Small and compact size
- Five- year warranty

### ORDERING INFORMATION

#### ZS1R50512



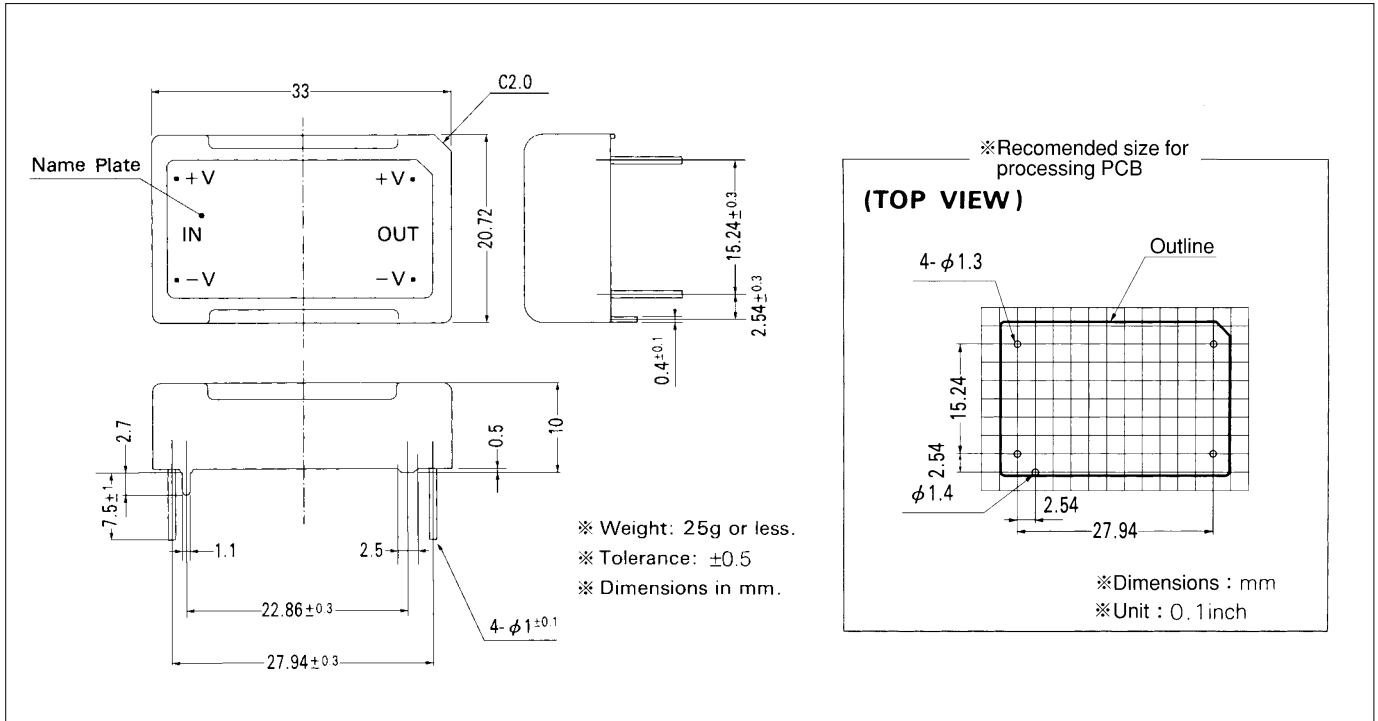
## SPECIFICATIONS

	MODEL	ZS1R50505	ZS1R50512	ZS1R50515	ZS1R51205	ZS1R51212	ZS1R51215	ZS1R52405	ZS1R52412	ZS1R52415	ZS1R54805	ZS1R54812	ZS1R54815
INPUT	VOLTAGE [V]	5 ( 4.5 ~ 6.0 )			12 ( 10 ~ 15 )			24 ( 20 ~ 30 )			48 ( 35 ~ 63 )		
	EFFICIENCY [%]	60 typ			65 typ			65 typ			65 typ		
OUTPUT	VOLTAGE [V]	5	12	15	5	12	15	5	12	15	5	12	15
	CURRENT [A]	0.25	0.12	0.1	0.25	0.12	0.1	0.25	0.12	0.1	0.25	0.12	0.1
	LINE REGULATION [mV]	25max	60max	75max	25max	60max	75max	25max	60max	75max	25max	60max	75max
	LOAD REGULATION [mV]	50max	120max	150max	50max	120max	150max	50max	120max	150max	50max	120max	150max
	RIPPLE [mVp-p]	100max	120max		100max	120max		100max	120max		100max	120max	
	RIPPLE NOISE [mVp-p]	120max			120max			120max			120max		
	TEMPERATURE COEFFICIENT 0 ~ +50°C [mV]	50max	120max	150max	50max	120max	150max	50max	120max	150max	50max	120max	150max
	OUTPUT VOLTAGE SET(FIXED) [%]	±5 max( Rated input/ output, Ta=25 <sup>a</sup> )											
PROTECTION CIRCUIT	OVERCURRENT PROTECTION	Works over 105% of rating and recovers automatically											
ISOLATION	INPUT,OUTPUT,CASE	AC500V, 1 minute, Cutoff current=10mA, DC500V, 50M <sup>?</sup> min. ( At Room Temperature)											
ENVIRONMENT	OPERATING TEMP. AND HUMID.	- 10 ~ + 60 <sup>a</sup> , 20 ~ 90%RH( Non condensing) ( Refer to DERATING CURVE)											
	STORAGE TEMP. AND HUMID.	- 20 ~ + 75 <sup>a</sup> , 20 ~ 90%RH( Non condensing)											
	VIBRATION	10 ~ 55Hz, 2G, 3 minutes period, 30 minutes along X, Y and Z axis											
	IMPACT	50G, 11 mS, once each X, Y and Z axis											

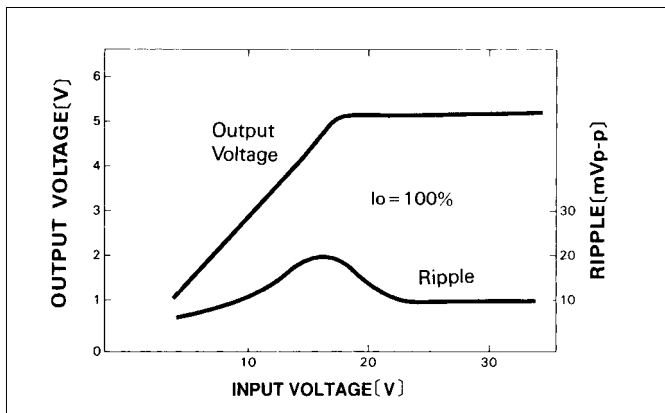
<sup>1</sup> Parallel operation with other model is not possible.

MODEL	ZS1R5				ZS1R5				ZS1R5			
	0505	1205	2405	4805	0512	1212	2412	4812	0515	1215	2415	4815
MAX OUTPUT WATTAGE	1.25 W				1.44 W				1.50 W			
DC OUTPUT VOLTAGE	5 V				12 V				15 V			
DC OUTPUT CURRENT	0.25 A				0.12 A				0.10 A			

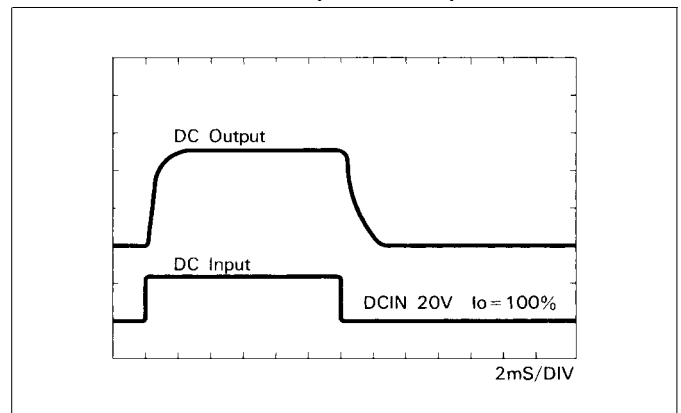
## EXTERNAL VIEW



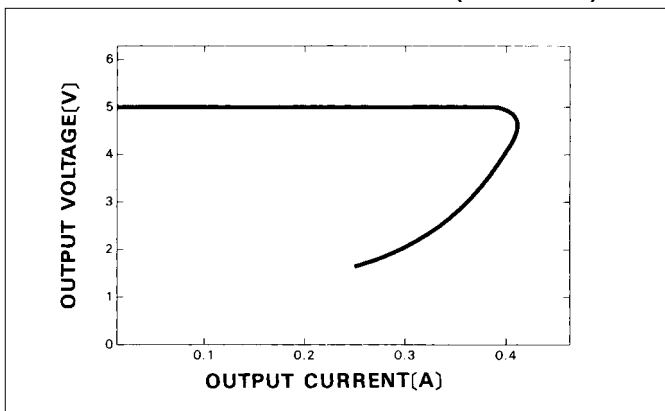
## STATIC CHARACTERISTICS (ZS1R52405)



## RISE TIME & FALL TIME (ZS1R52405)



## OVERCURRENT CHARACTERISTICS (ZS1R52405)



## DERATING CURVE

