

ILC803/ILC809/ILC810

3-Pin μ P Voltage Monitor

Features

- Precision Voltage Monitor for 3V, 3.3V or 5V Power Supplies
- 6 μ A Supply Current
- 140ms Minimum Reset Pulse Width
- $\overline{\text{RESET}}$ Remains Valid with V_{CC} as Low as 1.4V
- Active Low Manual Reset Input
- No External Components
- 3-Pin SOT-23 Package
- 3-Pin SC70 package option

Applications

- Critical Microprocessor Power Monitoring
- Portable Equipment
- Intelligent Instruments
- Computers & Printers, Controllers

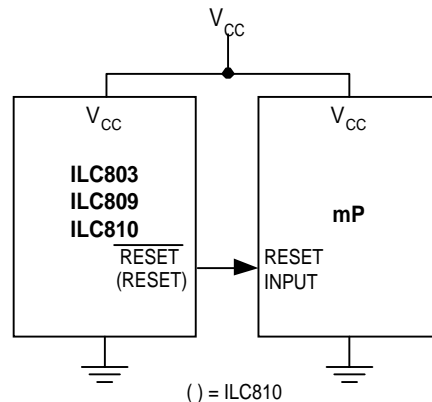
Description

The ILC803, ILC809 and ILC810 are low cost microprocessor supervisory circuits that assert a reset if the power supply drops below a designated threshold. Several different reset thresholds are available to accommodate systems operating at 3V, 3.3V or 5V.

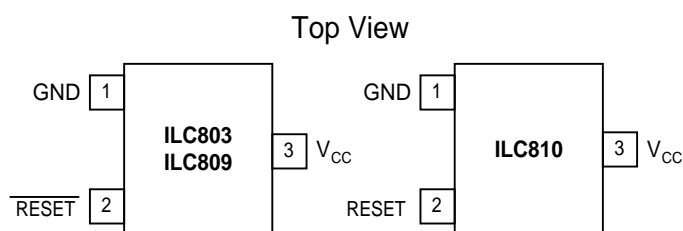
The ILC803 has an open drain output stage with active low $\overline{\text{RESET}}$ output

The ILC809 has an active low $\overline{\text{RESET}}$ output, while the ILC810 offers an active high RESET output. The reset output is guaranteed to remain asserted for a minimum of 140ms after V_{CC} has risen above the designated reset threshold. The ILC803, ILC809 and ILC810 are available in either a 3-Pin SOT-23 package or a 3-Pin SC70 packages.

Typical Applications



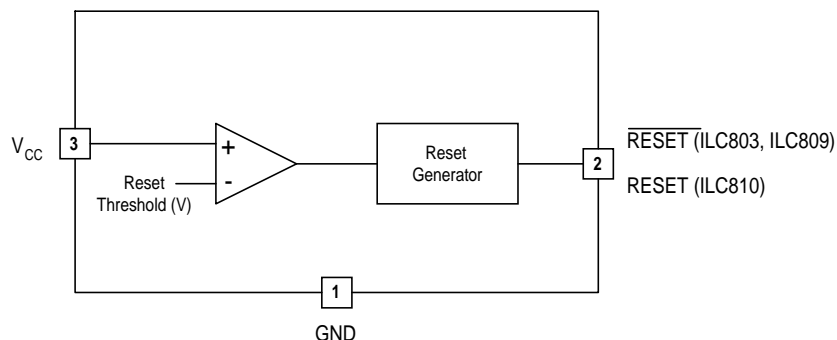
Pin Assignments



Pin Definitions

Pin Name	Pin Number			Description
	ILC803	ILC809	ILC810	
GND	1	1	1	Ground Pin
$\overline{\text{RESET}}$	2	2	N/A	$\overline{\text{RESET}}$ goes low if V_{CC} falls below the reset threshold and remains asserted for one reset timeout period (140ms min.) after V_{CC} exceeds the reset threshold.
RESET	N/A	N/A	2	RESET goes high if V_{CC} falls below the reset threshold and remains asserted for one reset timeout period (140ms min.) after V_{CC} exceeds the reset threshold.
V_{CC}	4	3	3	Power supply input, 3V, 3.3V, or 5V

Internal Block Diagram



Absolute Maximum Ratings

Parameter	Symbol	Ratings	Units
Terminal Voltage	V_{CC}	-0.3 to 6.0	V
Input Current	V_{CC}	20	mA
Output Current	RESET, $\overline{\text{RESET}}$	20	mA
Rate of Rise	V_{CC}	100	V/ μ s
Operating Temperature Range	T_A	-40 to +85	$^{\circ}$ C
Storage Temperature Range		-65 to +150	$^{\circ}$ C
Lead Temperature (Soldering, 10 sec.)		300	$^{\circ}$ C
Power Dissipation		320	mW

Stresses above those listed under ABSOLUTE MAXIMUM RATINGS may cause permanent device failure. Functionality at or above these limits is not implied. Exposure to absolute maximum ratings for extended periods may affect device reliability. Operating ranges define those limits between which the functionality of the device is guaranteed.

Preliminary Information

Electrical Characteristics

$V_{CC} = 5V$ for ILC8_L/M/J, $V_{CC} = 3.3V$ for ILC8_S/T, $V_{CC} = 3V$ for ILC8_R, $T_A =$ Operating Temperature Range, unless otherwise noted.

Parameter	Conditions	Min.	Typ.	Max.	Units
Operating Voltage Range	$T_A = 0^{\circ}C$ to $70^{\circ}C$ $T_A = -40^{\circ}C$ to $85^{\circ}C$	1.4 1.6		5.5 5.5	V
Supply Current, I_{CC}	ILC803L/M/J, ILC809L/M/J, ILC810L/M/J $V_{CC} < 3.6V$, ILC803R/S/T, ILC809R/S/T, ILC810R/S/T		9 6	15 10	μA
Reset Voltage Threshold, V_{TH}	ILC803L, ILC809L, ILC810L ILC803M, ILC809M, ILC810M ILC803J, ILC809J, ILC810J ILC803T, ILC809T, ILC810T ILC803S, ILC809S, ILC810S ILC803R, ILC809R, ILC810R	4.50 4.25 3.89 3.00 2.85 2.55	4.63 4.38 4.00 3.08 2.93 2.63	4.75 4.50 4.10 3.15 3.00 2.70	V
Reset Timeout Period, t_R		140	240	560	ms
RESET Output Voltage Low (Active low ILC803/809) V_{OL}	$V_{CC} = V_{TH}$, $I_{SINK} = 1.2mA$ $V_{CC} = V_{TH}$, $I_{SINK} = 3.2mA$			0.3 0.4	V
RESET Open Drain Output Leakage Current	$V_{CC} > V_{TH}$ RESET Deasserted			7	μA
RESET Output Voltage, V_{OH}	$I_{SOURCE} = 800\mu A$, ILC809L/M/J $I_{SOURCE} = 500\mu A$, ILC809R/S/T	$V_{CC} - 1.5$ $0.8 \times V_{CC}$			V
RESET Output Voltage, V_{OL}	$V_{CC} = V_{TH}$ Min., $I_{SINK} = 3.2mA$, ILC809L/M/J $V_{CC} = V_{TH}$ Min., $I_{SINK} = 1.2mA$, ILC809R/S/T $V_{CC} > 1.4V$, $I_{SINK} = 50\mu A$, $T_A = 0^{\circ}C$ to $70^{\circ}C$ $V_{CC} > 1.6V$, $I_{SINK} = 50\mu A$, $T_A = -40^{\circ}C$ to $85^{\circ}C$			0.4 0.3 0.3 0.3	V
RESET Output Voltage, V_{OH}	$1.8V < V_{CC} < V_{TH}$ Min., $I_{SOURCE} = 150\mu A$	$0.8 \times V_{CC}$			V
RESET Output Voltage, V_{OL}	$I_{SINK} = 3.2mA$, ILC810L/M/J $I_{SINK} = 1.2mA$, ILC810R/S/T			0.4 0.3	V

Circuit Description

Microprocessor Reset

The RESET pin is asserted whenever V_{CC} falls below the reset threshold voltage. The reset pin remains asserted for a period of 240ms after V_{CC} has risen above the reset threshold voltage. The reset function ensures the microprocessor is properly reset and powers up into a known condition after a power failure. RESET will remain valid with V_{CC} as low as 1.4V.

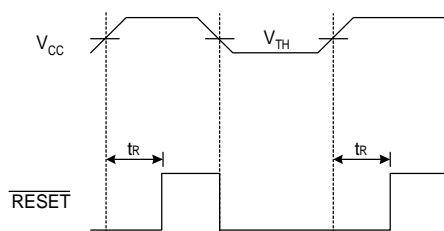


Figure 1: Timing Diagram

VCC Transients

The ILC803, ILC809 and ILC810 are relatively immune to negative-going V_{CC} glitches below the reset threshold. Typically, a negative-going transient 125mV below the reset threshold with a duration of 50ms (25ms for ILC8_R/S/T) or less will not cause an unwanted reset.

Interfacing to Bi-directional Reset Pins

The ILC803/ILC809/ILC810 can interface with mPs with bi-directional reset pins by connecting a 4.7k Ω resistor in series with the ILC803/ILC809/ILC810 output and the mP reset pin. ILC803 connects directly with a single pull-up resistor (figure 2).

RESET Valid to 0V

A resistor can be added from the RESET pin to ground to ensure the RESET output remains low with V_{CC} down to 0V. A 100k Ω resistor connected from RESET to ground is recommended. The size of the resistor should be large enough to not load the RESET output and small enough to pull-down any stray leakage currents.

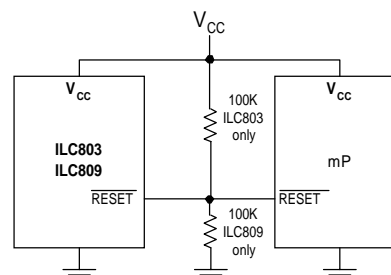
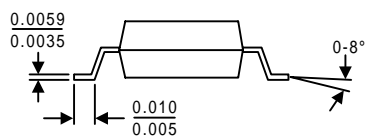
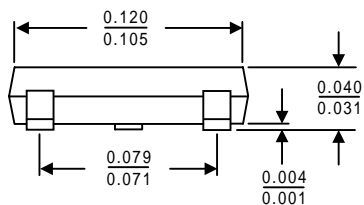
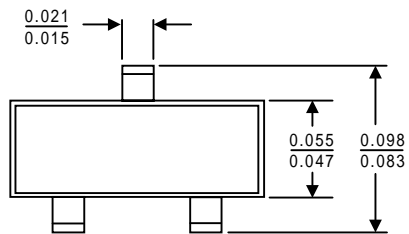


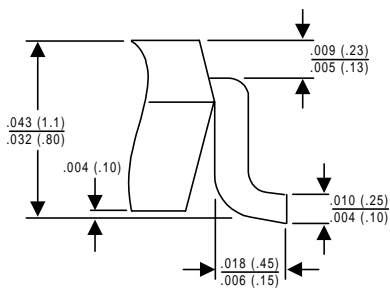
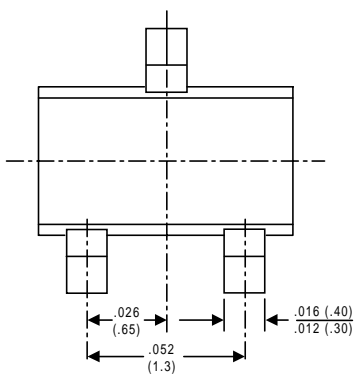
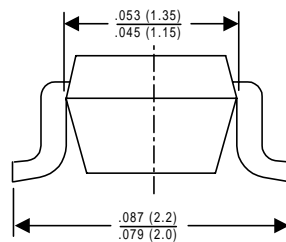
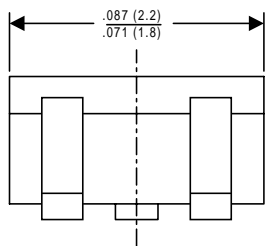
Figure 2: Reset valid to V_{CC}

Packaging Information

U Package, 3-Pin SOT-23



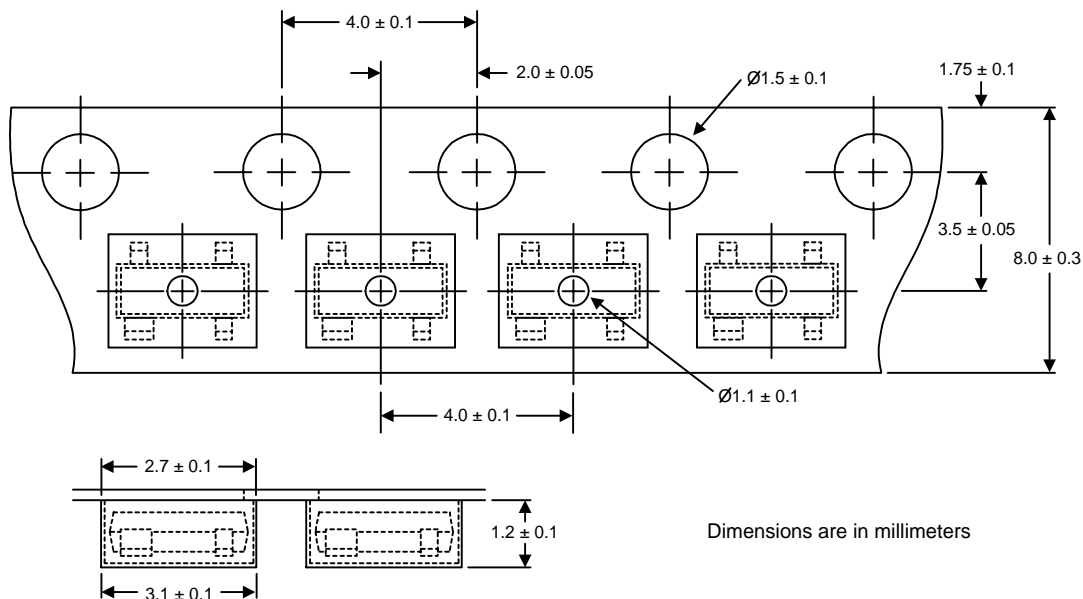
W Package, 3-Pin SC70



Preliminary Information

Tape and Reel Information

Diagram applies to SOT-23 and SC70



Dimensions are in millimeters

Preliminary Information

Ordering Information

Product Number	Package	Temp. Range
ILC803_U	3-Lead SOT-23	-40°C to +85°C
ILC809_U	3-Lead SOT-23	-40°C to +85°C
ILC810_U	3-Lead SOT-23	-40°C to +85°C
ILC803_W	3-Lead SC70	-40°C to +85°C
ILC809_W	3-Lead SC70	-40°C to +85°C
ILC810_W	3-Lead SC70	-40°C to +85°C

Reset Threshold (V)	Device Suffix
4.63	L
4.38	M
4.00	J
3.08	T
2.93	S
2.63	R

Place the device suffix of the desired reset threshold voltage from the table [below] in the blank to complete the part number.

Alternate Source Cross Reference Guide Device Markings Information

Industry P/N	ILC Direct Replacement
MAX803XYUR-T	ILC803YU
MAX809JEUR-T	ILC809JU
MAX809LEUR-T	ILC809LU
MAX809MEUR-T	ILC809MU
MAX809REUR-T	ILC809RU
MAX809SEUR-T	ILC809SU
MAX809TEUR-T	ILC809TU
MAX810JEUR-T	ILC810JU
MAX810LEUR-T	ILC810LU
MAX810MEUR-T	ILC810MU
MAX810REUR-T	ILC810RU
MAX810SEUR-T	ILC810SU
MAX810TEUR-T	ILC810TU

	SC70 Case	SOT-23 Case
ILC803J	QJY	QJYY
ILC803L	QLY	QLYY
ILC803M	QMY	QMYY
ILC803R	QRY	QRYY
ILC803S	QSY	QSYY
ILC803T	QTY	QTYY
ILC809J	VJY	VJYY
ILC809L	VLJ	VLJY
ILC809M	VMY	VMYY
ILC809R	VRJ	VRJY
ILC809S	VSY	VSYY
ILC809T	VTY	VTYY
ILC810J	ZJY	ZJYY
ILC810L	ZCY	ZCYY
ILC810M	ZMY	ZMYY
ILC810R	ZRY	ZRYY
ILC810S	ZSY	ZSYY
ILC810T	ZTY	ZTYY
	Y-LOT CODE	YY-LOT CODE

Preliminary Information

DISCLAIMER

FAIRCHILD SEMICONDUCTOR RESERVES THE RIGHT TO MAKE CHANGES WITHOUT FURTHER NOTICE TO ANY PRODUCTS HEREIN TO IMPROVE RELIABILITY, FUNCTION OR DESIGN. FAIRCHILD DOES NOT ASSUME ANY LIABILITY ARISING OUT OF THE APPLICATION OR USE OF ANY PRODUCT OR CIRCUIT DESCRIBED HEREIN; NEITHER DOES IT CONVEY ANY LICENSE UNDER ITS PATENT RIGHTS, NOR THE RIGHTS OF OTHERS.

LIFE SUPPORT POLICY

FAIRCHILD'S PRODUCTS ARE NOT AUTHORIZED FOR USE AS CRITICAL COMPONENTS IN LIFE SUPPORT DEVICES OR SYSTEMS WITHOUT THE EXPRESS WRITTEN APPROVAL OF THE PRESIDENT OF FAIRCHILD SEMICONDUCTOR CORPORATION. As used herein:

1. Life support devices or systems are devices or systems which, (a) are intended for surgical implant into the body, or (b) support or sustain life, and (c) whose failure to perform when properly used in accordance with instructions for use provided in the labeling, can be reasonably expected to result in a significant injury of the user.
2. A critical component in any component of a life support device or system whose failure to perform can be reasonably expected to cause the failure of the life support device or system, or to affect its safety or effectiveness.