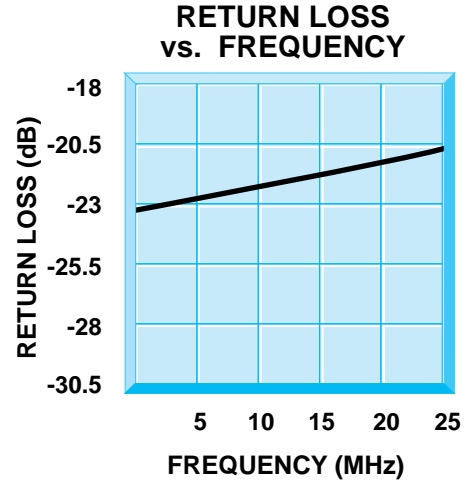
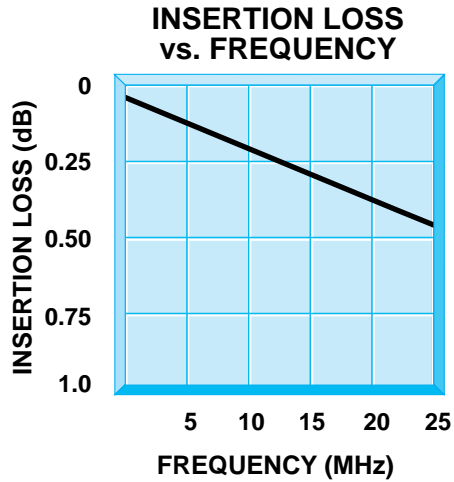
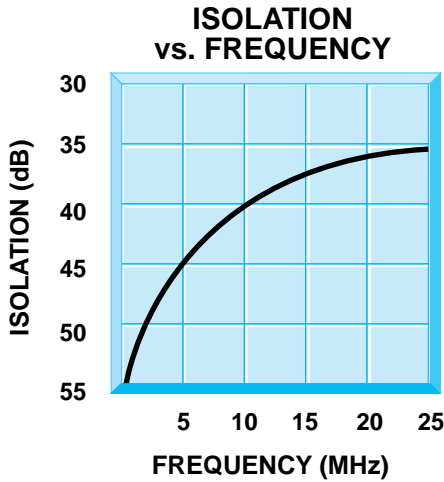


HJ-12001

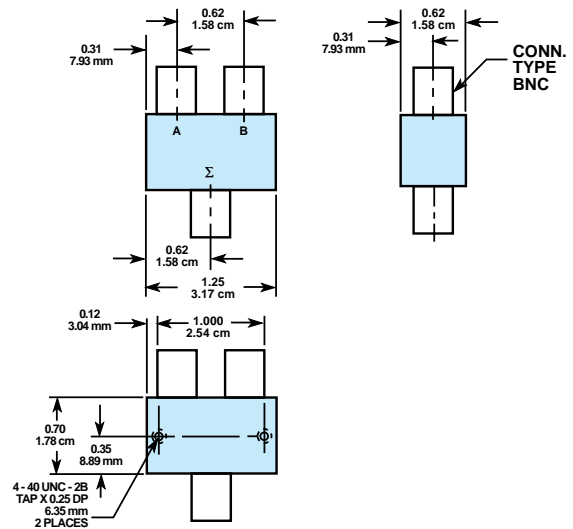
0.01 to 10 MHz Two-Way 0° Power Divider



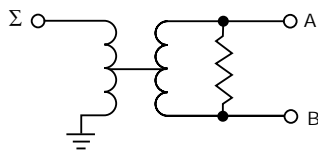
Guaranteed Specifications (-54° to +85°C)

Frequency Range	0.01 to 10 MHz
Isolation	30 dB Min.
Insertion Loss	0.5 dB Max.
VSWR	1.3:1 Max.
Phase Balance	±1° Max.
Amplitude Balance	± 0.1 dB Max.
Impedance	50 Ohms
Power Handling	3 Watts Max.

Mechanical Outline



Functional Schematic



SIGNAL
 TECHNOLOGY CORPORATION
 ELEKTRON OPERATION

28 Tozer Road • Beverly, MA 01915-5579
 Tel. 978.922.0019 • Fax 978.927.9328