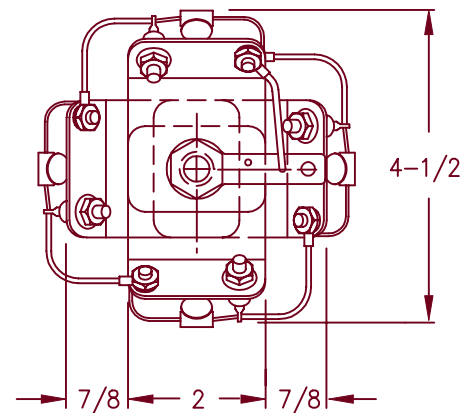
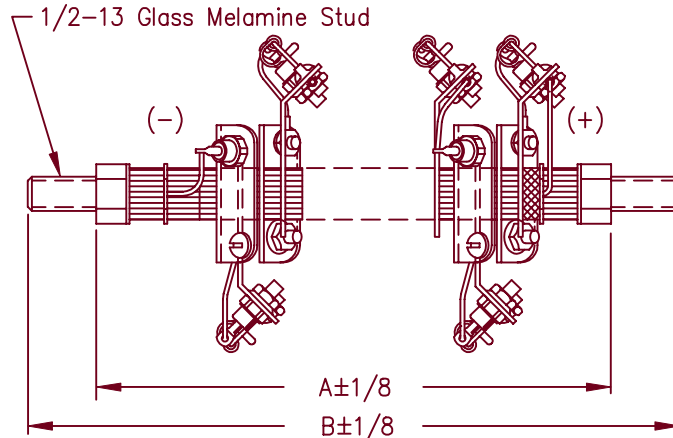
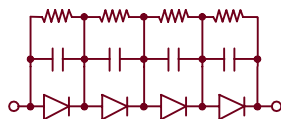


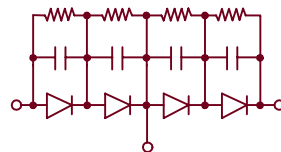
High Voltage Rectifier Assembly JHV21 Series



Mounting: Horizontal (convection cooling)
 Horizontal or vertical (forced air or oil)
 DC output rating— 8 Amps/25°C convection cooled
 – 15 Amps/40°C forced air cooled
 @ 1000 LFM
 – 22.5 Amps/40°C oil cooled
 Peak Reverse voltage— from 8KV to 80KV



H = Halfwave



D = Doubler

- Single Phase Halfwave Or Doubler
- Gold Iridited Aluminum Heatsinks
- Each Diode is R-C Compensated
- 250 Amperes Surge Current (1 Cycle)
- Resistive – Inductive Load. Derate 20% for Capacitive Loads

CATALOG NUMBER	PRV RATING KV	DIMENSION A	DIMENSION B
JHV21*8	8	5-1/8	7-1/4
JHV21*12	12	6-1/4	8-1/4
JHV21*16	16	7-3/8	9-1/2
JHV21*20	20	8-1/2	10-1/2
JHV21*24	24	9-5/8	11-3/4
JHV21*28	28	10-3/4	12-3/4
JHV21*32	32	11-7/8	14
JHV21*36	36	13	15
JHV21*40	40	14-1/8	16-1/4
JHV21*44	44	15-1/4	17-1/4
JHV21*48	48	16-3/8	18-1/2
JHV21*52	52	17-1/2	19-1/2
JHV21*56	56	18-5/8	20-3/4
JHV21*60	60	19-3/4	21-3/4
JHV21*64	64	20-7/8	23
JHV21*68	68	22	24
JHV21*72	72	23-1/8	25-1/4
JHV21*76	76	24-1/4	26-1/2
JHV21*80	80	25-3/8	27-1/2

*Add H or D For doublers add 1" to both dimensions A & B

3-5-01 Rev. IR

JHV21

