

REGULATING PULSE WIDTH MODULATOR

DESCRIPTION

The SG1525A/1527A series of pulse width modulator integrated circuits are designed to offer improved performance and lower external parts count when used to implement all types of switching power supplies. The on-chip +5.1 volt reference is trimmed to $\pm 1\%$ initial accuracy and the input common-mode range of the error amplifier includes the reference voltage, eliminating external potentiometers and divider resistors. A Sync input to the oscillator allows multiple units to be slaved together, or a single unit to be synchronized to an external system clock. A single resistor between the C_T pin and the Discharge pin provides a wide range of deadtime adjustment. These devices also feature built-in soft-start circuitry with only a timing capacitor required externally. A Shutdown pin controls both the soft-start circuitry and the output stages, providing instantaneous turn-off with soft-start recycle for slow turn-on. These functions are also controlled by an undervoltage lockout which keeps the outputs off and the soft-start capacitor discharged for input voltages less than that required for normal operation. Another unique feature of these PWM circuits is a latch following the comparator. Once a PWM pulse has been terminated for any reason, the outputs will remain off for the duration of the period. The latch is reset with each clock pulse. The output stages are totem-pole designs capable of sourcing or sinking in excess of 200mA. The SG1525A output stage features NOR logic, giving a LOW output for an OFF state. The SG1527A utilizes OR logic which results in a HIGH output level when OFF.

FEATURES

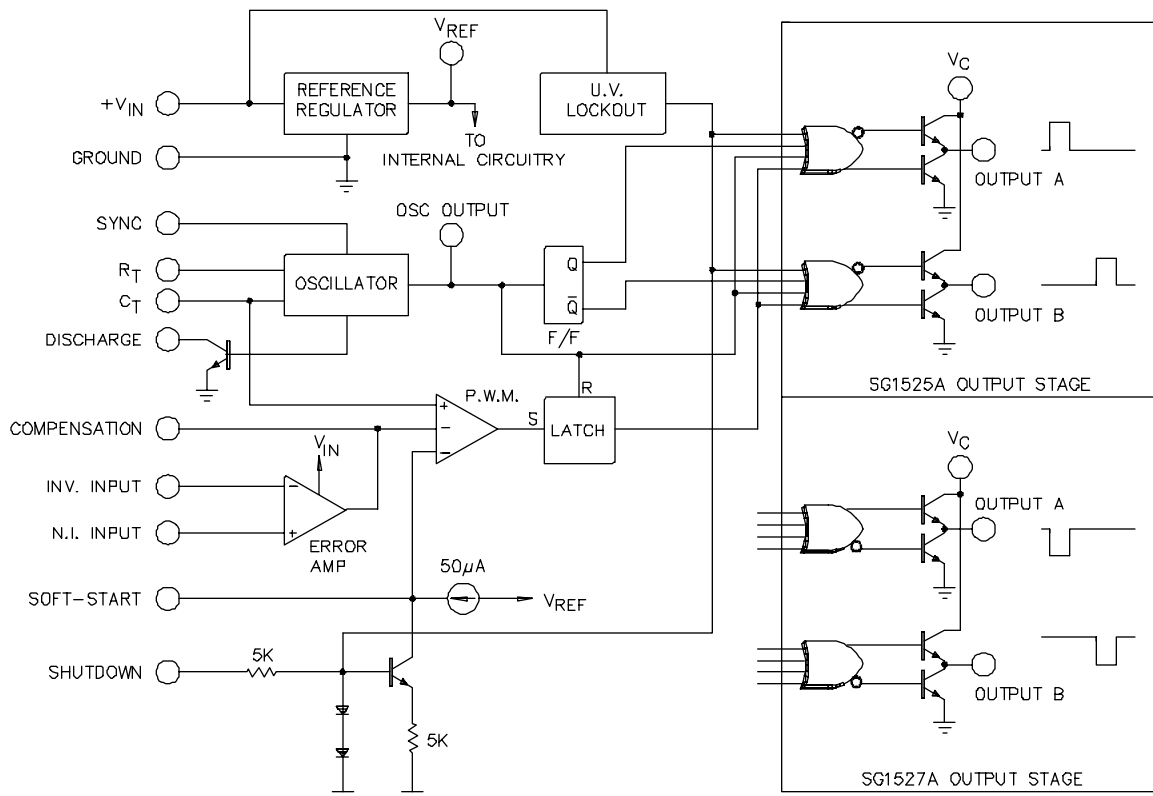
- 8V to 35V operation
- 5.1V reference trimmed to $\pm 1\%$
- 100Hz to 500KHz oscillator range
- Separate oscillator sync terminal
- Adjustable deadtime control
- Internal soft-start
- Input undervoltage lockout
- Latching P.W.M. to prevent multiple pulses
- Dual source/sink output drivers

HIGH RELIABILITY FEATURES

- SG1525A, SG1527A

- ◆ Available to MIL-STD-883B
- ◆ MIL-M38510/12602BEA - JAN1525AJ
- ◆ MIL-M38510/12604BEA - JAN1527AJ
- ◆ Radiation data available
- ◆ LMI level "S" processing available

BLOCK DIAGRAM



SG1525A/SG1527A SERIES

ABSOLUTE MAXIMUM RATINGS (Note 1)

Supply Voltage (+V _{IN})	40V	Oscillator Charging Current	5mA
Collector Supply Voltage (V _C)	40V	Operating Junction Temperature Range	
Logic Inputs	-0.3V to 5.5V	Hermetic (J, L Packages)	150°C
Analog Inputs	-0.3V to V _{IN}	Plastic (N, DW Packages)	150°C
Output Current, Source or Sink	500mA	Storage Temperature Range	-65°C to 150°C
Reference Load Current	50mA	Lead Temperature (Soldering, 10 seconds)	300°C

Note 1. Values beyond which damage may occur.

THERMAL DATA

J Package:

Thermal Resistance-Junction to Case, θ_{JC}	30°C/W
Thermal Resistance-Junction to Ambient, θ_{JA}	80°C/W

DW Package:

Thermal Resistance-Junction to Case, θ_{JC}	40°C/W
Thermal Resistance-Junction to Ambient, θ_{JA}	95°C/W

L Package:

Thermal Resistance-Junction to Case, θ_{JC}	35°C/W
Thermal Resistance-Junction to Ambient, θ_{JA}	120°C/W

N Package:

Thermal Resistance-Junction to Case, θ_{JC}	40°C/W
Thermal Resistance-Junction to Ambient, θ_{JA}	65°C/W

Note A. Junction Temperature Calculation: $T_J = T_A + (P_D \times \theta_{JA})$.

Note B. The above numbers for θ_{JC} are maximums for the limiting thermal resistance of the package in a standard mounting configuration. The θ_{JA} numbers are meant to be guidelines for the thermal performance of the device/pc-board system. All of the above assume no ambient airflow.

RECOMMENDED OPERATING CONDITIONS (Note 2)

Input Voltage (+V _{IN})	8V to 35V	Deadtime Resistor Range (R _D)	0Ω to 500Ω
Collector Voltage (V _C)	4.5V to 35V	Maximum Shutdown Source Impedance	5KΩ
Sink/Source Load Current (steady state)	0 to 100mA	Oscillator Timing Capacitor (C _T)	0.001μF to 0.1μF
Sink/Source Load Current (peak)	0 to 400mA	Operating Ambient Temperature Range	
Reference Load Current	0 to 20mA	SG1525A/SG1527A	-55°C to 125°C
Oscillator Frequency Range	100Hz to 350KHz	SG2525A/SG2527A	-25°C to 85°C
Oscillator Timing Resistor (R _T)	2KΩ to 150KΩ	SG3525A/SG3527A	0°C to 70°C

Note 2: Range over which the device is functional.

ELECTRICAL CHARACTERISTICS

(Unless otherwise specified, these specifications apply over the operating ambient temperatures for SG1525A/SG1527A with $-55^\circ\text{C} \leq T_A \leq 125^\circ\text{C}$, SG2525A/SG2527A with $-25^\circ\text{C} \leq T_A \leq 85^\circ\text{C}$, SG3525A/SG3527A with $0^\circ\text{C} \leq T_A \leq 70^\circ\text{C}$, and +V_{IN} = 20V. Low duty cycle pulse testing techniques are used which maintains junction and case temperatures equal to the ambient temperature.)

Parameter	Test Conditions	SG1525A/2525A SG1527A/2527A			SG3525A SG3527A			Units
		Min.	Typ.	Max.	Min.	Typ.	Max.	
Reference Section								
Output Voltage	T _J = 25°C	5.05	5.10	5.15	5.00	5.10	5.20	V
Line Regulation	V _{IN} = 8V to 35V		10	30		10	30	mV
Load Regulation	I _L = 0 to 20mA		20	50		20	50	mV
Temperature Stability (Note 3)	Over Operating Temperature Range		20	50		20	50	mV
Total Output Voltage Range (Note 3)	Over Line, Load and Temperature	5.00		5.20	4.95		5.25	V
Short Circuit Current	V _{REF} = 0V, T _J = 25°C		80	100		80	100	mA
Output Noise Voltage (Note 3)	10Hz ≤ f ≤ 10KHz, T _J = 25°C		40	200		40	200	μVrms
Long Term Stability (Note 3)	T _J = 125°C		20	50		20	50	mV/khr

Note 3. These parameters, although guaranteed over the recommended operating conditions, are not 100% tested in production.

Note 4. F_{OSC} = 40KHz (R_T = 3.6KΩ, C_T = 0.01μF, R_D = 0Ω)

Note 5. Applies to SG1525A/2525A/3525A only, due to polarity of output pulses.

ELECTRICAL CHARACTERISTICS (continued)

Parameter	Test Conditions	SG1525A/2525A SG1527A/2527A			SG3525A SG3527A			Units
		Min.	Typ.	Max.	Min.	Typ.	Max.	
Oscillator Section (Note 4)								
Initial Accuracy	$T_J = 25^\circ\text{C}$	37.6	40	42.4	37.6	40	42.4	KHz
Voltage Stability	$V_{IN} = 8\text{V to }35\text{V}$		± 0.3	± 1		± 1	± 2	%
Temperature Stability (Note 3)	$\text{MIN} \leq T_J \leq \text{MAX}$		± 3	± 6		± 3	± 6	%
Minimum Frequency (Note 3)	$R_T = 150\text{K}\Omega, C_T = 0.1\mu\text{F}$			150			150	Hz
Maximum Frequency (Note 3)	$R_T = 2\text{K}\Omega, C_T = 1\text{nF}$	350			350			KHz
Current Mirror	$I_{RT} = 2\text{mA}$	1.7	2.0	2.2	1.7	2.0	2.2	mA
Clock Amplitude		3.0	3.5		3.0	3.5		V
Clock Width	$T_J = 25^\circ\text{C}$	0.3	0.5	1.0	0.3	0.5	1.0	μs
Sync Threshold		1.2	2.0	2.8	1.2	2.0	2.8	V
Sync Input Current	Sync Voltage = 3.5V		1.0	2.5		1.0	2.5	mA
Error Amplifier Section ($V_{CM} = 5.1\text{V}$)								
Input Offset Voltage			0.5	5		2	10	mV
Input Bias Current			1	10		1	10	μA
Input Offset Current				1			1	μA
DC Open Loop Gain	$R_L \geq 10\text{M}\Omega, T_J = 25^\circ\text{C}$	60	75		60	75		dB
Gain-Bandwidth Product (Note 3)	$A_V = 0\text{dB}, T_J = 25^\circ\text{C}$	1	2		1	2		MHz
Output Low Level			0.2	0.5		0.2	0.5	V
Output High Level		3.8	5.6		3.8	5.6		V
Common Mode Rejection	$V_{CM} = 1.5\text{V to }5.2\text{V}$	60	75		60	75		dB
Supply Voltage Rejection	$V_{IN} = 8\text{V to }35\text{V}$	50	60		50	60		dB
P.W.M. Comparator Section (Note 4)								
Minimum Duty Cycle	$V_{COMP} = 0.6\text{V}$			0			0	%
Maximum Duty Cycle	$V_{COMP} = 3.6\text{V}$	45	49		45	49		%
Input Threshold (Note 4)	Zero Duty Cycle	0.6	0.9		0.6	0.9		V
	Maximum Duty Cycle		3.3	3.6		3.3	3.6	V
Input Bias Current			.05	2.0		.05	2.0	μA
Soft-Start Section								
Soft Start Current	$V_{SHUTDOWN} = 0\text{V}$	25	50	80	25	50	80	μA
Soft Start Voltage	$V_{SHUTDOWN} = 2\text{V}$		0.4	0.6		0.4	0.6	V
Shutdown Input Current	$V_{SHUTDOWN} = 2.5\text{V}$		0.4	1.0		0.4	1.0	mA
Output Drivers Section (each transistor, $V_C = 20\text{V}$)								
Output High Level	$I_{SOURCE} = 20\text{mA}$	18	19		18	19		V
	$I_{SOURCE} = 100\text{mA}$	17	18		17	18		V
Output Low Level	$I_{SINK} = 20\text{mA}$		0.2	0.4		0.2	0.4	V
	$I_{SINK} = 100\text{mA}$		1.0	2.2		1.0	2.2	V
Undervoltage Lockout	V_{COMP} and $V_{SS} = \text{High}$	6	7	8	6	7	8	V
Collector Leakage (Note 5)	$V_C = 35\text{V}$			200			200	μA
Rise Time	$C_L = 1\text{nF}, T_J = 25^\circ\text{C}$		100	600		100	600	ns
Fall Time	$C_L = 1\text{nF}, T_J = 25^\circ\text{C}$		50	300		50	300	ns
Shutdown Delay (Note 3)	$V_{SD} = 3\text{V}, C_S = 0, T_J = 25^\circ\text{C}$		0.2	0.5		0.2	0.5	μs
Total Standby Current								
Standby Current	$V_{IN} = 35\text{V}$		14	20		14	20	mA

OSCILLATOR SECTION

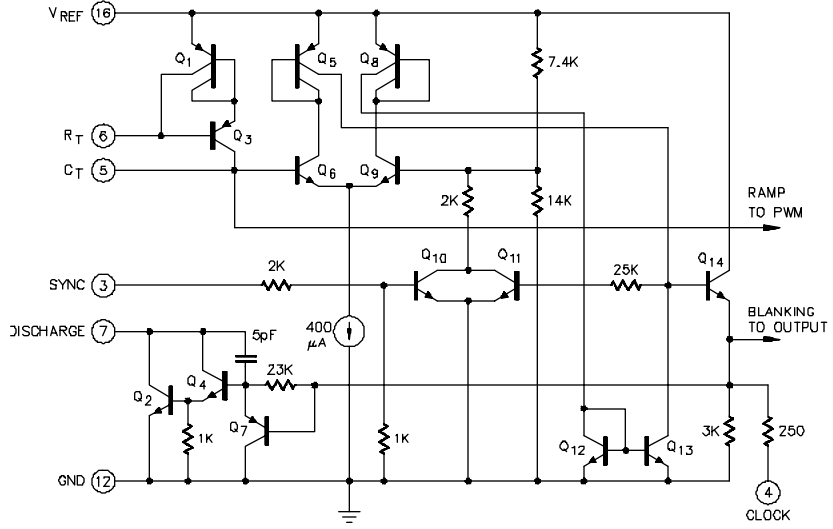


FIGURE 1 - OSCILLATOR SCHEMATIC

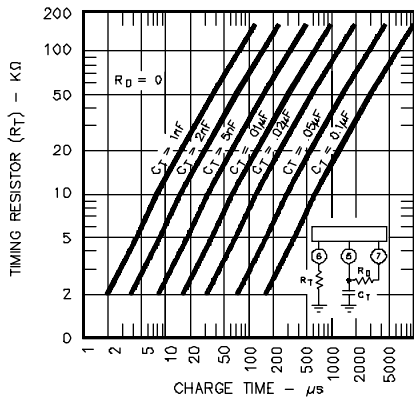


FIGURE 2 - OSCILLATOR CHARGE TIME VS. R_T AND C_T

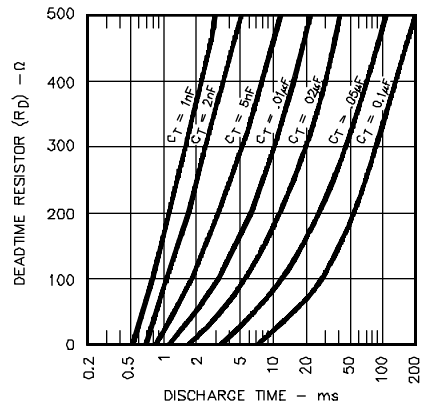


FIGURE 3 - OSCILLATOR DISCHARGE TIME VS. R_D AND C_T

ERROR AMPLIFIER SECTION

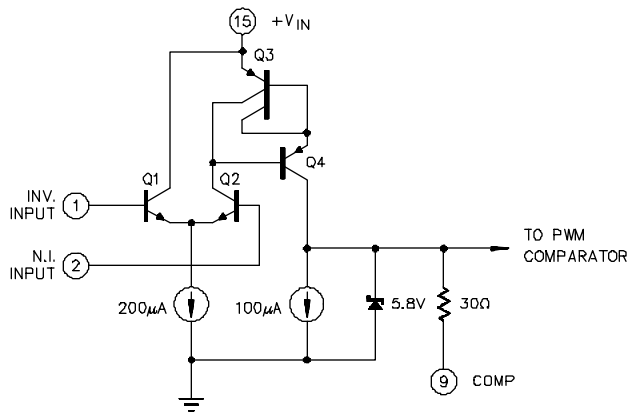


FIGURE 4 - ERROR AMPLIFIER

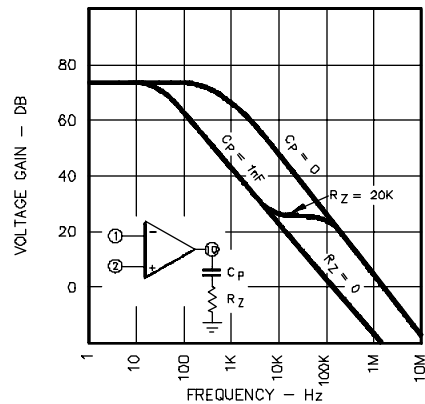


FIGURE 5 - ERROR AMPLIFIER OPEN-LOOP FREQUENCY RESPONSE

OUTPUT SECTION

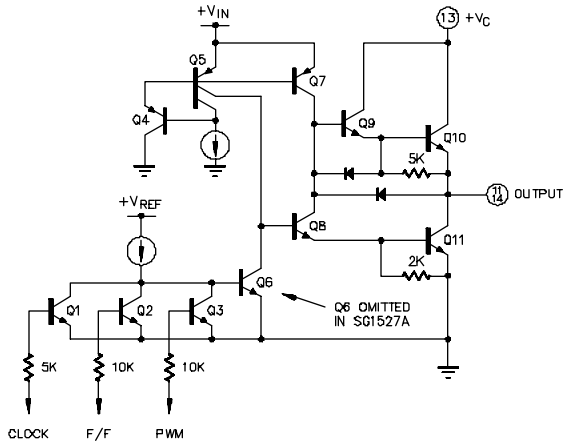


FIGURE 6 - OUTPUT CIRCUIT (½ Circuit Shown)

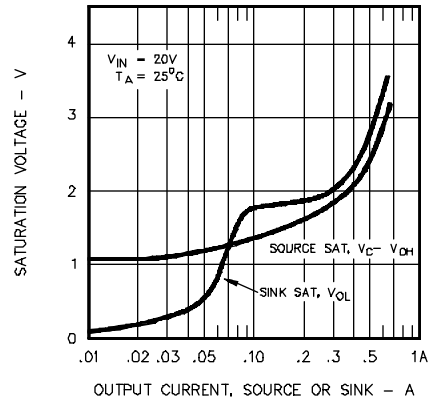
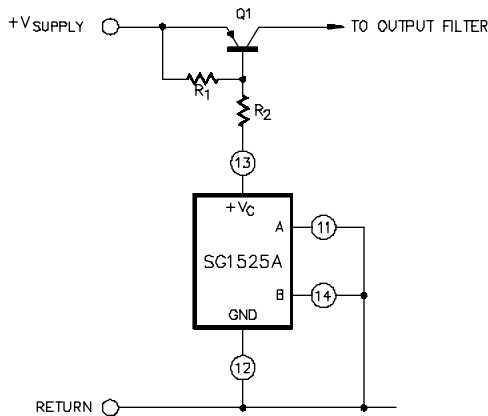
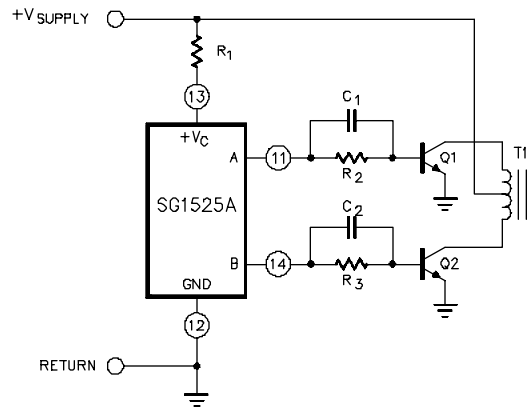


FIGURE 7 - OUTPUT SATURATION CHARACTERISTICS

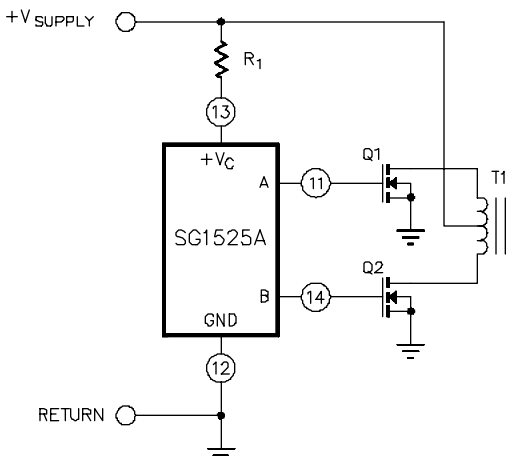
APPLICATION INFORMATION



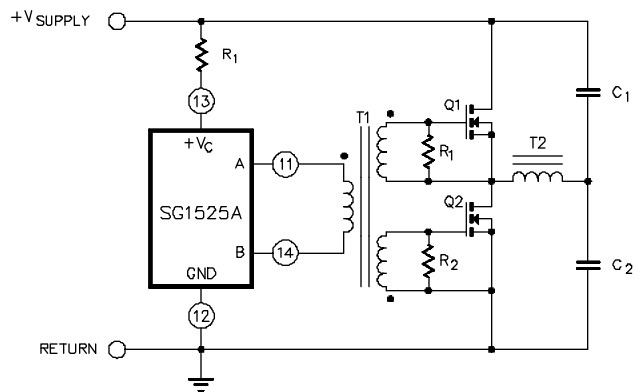
For single-ended supplies, the driver outputs are grounded. The V_c terminal is switched to ground by the totem-pole source transistors on alternate oscillator cycles.



In conventional push-pull bipolar designs, forward base drive is controlled by $R_1 - R_3$. Rapid turn-off times for the power devices are achieved with speed-up capacitors C_1 and C_2 .



The low source impedance of the output drivers provides rapid charging of power FET input capacitance while minimizing external components.



Low power transformers can be driven directly by the SG1525A. Automatic reset occurs during deadtime, when both ends of the primary winding are switched to ground.

SG1525A/SG1527A SERIES

CONNECTION DIAGRAMS & ORDERING INFORMATION (See Notes Below)

Package	Part No.	Ambient Temperature Range	Connection Diagram	
16-PIN CERAMIC DIP J - PACKAGE	SG1525AJ/883B	-55°C to 125°C		
	JAN1525AJ	-55°C to 125°C		
	SG1525AJ/DESC	-55°C to 125°C		
	SG1525AJ	-55°C to 125°C		
	SG2525AJ	-25°C to 85°C		
	SG3525AJ	0°C to 70°C		
	SG1527AJ/883B	-55°C to 125°C		
	JAN1527AJ	-55°C to 125°C		
	SG1527AJ/DESC	-55°C to 125°C		
	SG1527AJ	-55°C to 125°C		
	SG2527AJ	-25°C to 85°C		
	SG3527AJ	0°C to 70°C		
	16-PIN PLASTIC DIP N - PACKAGE	SG2525AN		-25°C to 85°C
		SG3525AN		0°C to 70°C
SG2527AN		-25°C to 85°C		
SG3527AN		0°C to 70°C		
16-PIN WIDE BODY PLASTIC S.O.I.C. DW - PACKAGE	SG2525ADW	-25°C to 85°C		
	SG3525ADW	0°C to 70°C		
	SG2527ADW	-25°C to 85°C		
	SG3527ADW	0°C to 70°C		
20-PIN CERAMIC LEADLESS CHIP CARRIER L - PACKAGE	SG1525AL/883B	-55°C to 125°C		
	SG1525AL	-55°C to 125°C		
	SG1527AL/883B	-55°C to 125°C		
	SG1527AL	-55°C to 125°C		

Note 1. Contact factory for JAN and DESC product availability.
 2. All packages are viewed from the top.