

Multiposition Switches — SP3T-SP6T

Series 033-063

SP3T-SP6T / DC-12.4 GHz N, TNC

RF PERFORMANCE

Frequency Range (GHz)	DC-3	3-8	8-12.4
VSWR (Max)	1.2:1	1.35:1	1.5:1
Insertion Loss (Max dB)	0.2	0.35	0.5
Isolation (Min dB)	80	70	60

ADDITIONAL SPECIFICATIONS

RF Impedance	50 ohms nominal
Actuating Voltage*	28 Vdc
Actuating Current*	Normally Open: 140mA (max) Latching: (n) ¹ x 100mA DA: 350mA
Switching Time	20 ms (max)
Switching Sequence	Break Before Make
Operating Ambient Temperature	-35°C to +70°C
Operating Life	1 Million Cycles Per Position
Designed to	Meet Mil-S-3928

OPTIONS AVAILABLE

GROUP 2 ACTUATION

- B - LATCHING
- C - LATCHING
RESET
- D - NORM OPEN
- DA - NORM OPEN
FAILSAFE TO
POSITION 1

GROUP 3 OPTIONS

- 0 - NONE
- 1 - 50-OHM
TERMINATION
- 2 - INDICATOR
CIRCUITRY
- 3 - SUPPRESSION
DIODES
- 4 - TTL LOGIC
HIGH
- 7 - SELF-DE-
ENERGIZING
CIRCUITRY
- 9 - OTHER
(SPECIFY)
- V - MOSFET
DRIVER
- Y - BCD TTL
DECODER

GROUP 4 RF CONNECTORS

- D - N
- E - TNC
- G - OTHER
(SPECIFY)

GROUP 5 TERMINALS

- 1 - SOLDER
(STANDARD)
- 2 - POWER CON-
NECTOR, FAST
DISCONNECT
(STANDARD)
- 3 - POWER CON-
NECTOR, FAST
DISCONNECT
(SUB MIN "D")
- 4 - SOLDER
LOOP
- 5 - OTHER
(SPECIFY)

GROUP 6 VOLTAGE

- B - 12 VDC
- C - 24 VDC
- D - 28 VDC
- E - 48 VDC
- G - OTHER
(SPECIFY)
- H - 15 VDC
- I - 18 VDC

GROUP 7 FREQUENCY

- 0 - DC - 1 GHz
- 1 - DC - 3 GHz
- 2 - DC - 8 GHz
- 3 - DC - 12.4 GHz
- 7 - OTHER (SPECIFY)

GROUP 8 POLARITY

- A - COMMON PLUS
- B - COMMON MINUS
- C - NOT RELEVANT
TO APPLICATION
OR SWITCHES
WITH LOGIC

GROUP 9 MOUNTING

- 0 - STANDARD
MOUNTING
HOLES
- 1 - BRACKET
- 2 - FLANGE
- 3 - OTHER (SPECIFY)



Standard SEM models from this series are available from stock. See page 179 for a complete listing of stock switches.

SWITCH HEIGHT (A) FOR SELECTED OPTIONS

DIM A ±.03	GROUP 2 ACTUATION	GROUP 3 OPTIONS
2.20	D, DA	0,3
2.46	B, C	3,7
2.46	D, DA	2,3
2.88	B, C	2,3,7
3.08**	B, C	2,3,4 or 5,7,Y
3.08**	D, DA	2,3,4 or 5,Y

* Specifications for 28 Vdc, 25°C

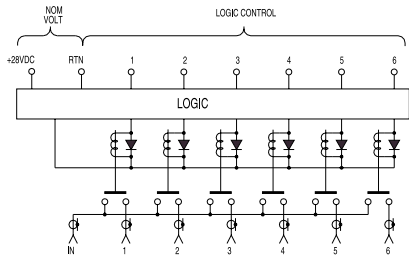
** Dimension for switches with Standard Narda Power Connector MS3112E-14-15P mating with MS3112E-14-15S.

Exception: Switches with options: 4-TTL Logic High, V-Mosfet Driver, Y-BCD Decoder use power connector MS3112E-14-18P mating with MS3116E-14-18S.

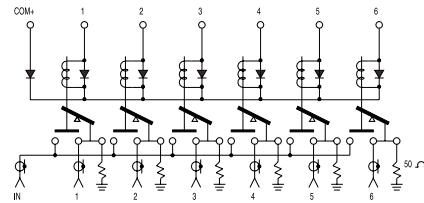
¹ n = # of positions

Multiposition Switches — SP3T-SP6T

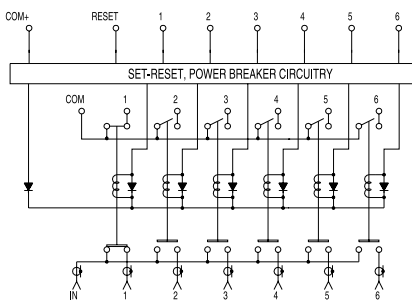
TYPICAL SCHEMATICS



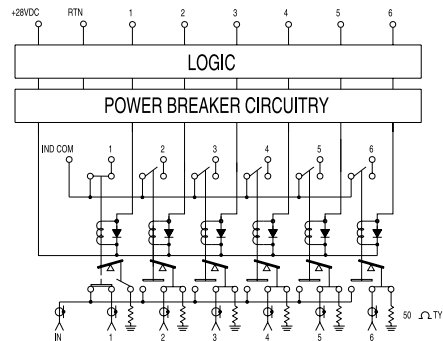
Normally open SP6T switch with TTL driver and suppression diodes. (D34)



Normally open, common plus SP6T switch with suppression diodes and 50-ohm.



Latching common plus SP6T switch with self de-energizing circuitry, reset function, indicators and suppression diodes. Shown in position 1. (B237)



Latching SP6T switch with TTL driver, indicator circuitry, self de-energizing circuitry, suppression diodes and 50-ohm termination. Shown in position 1. (B12347)

TYPICAL OUTLINE DRAWINGS

