

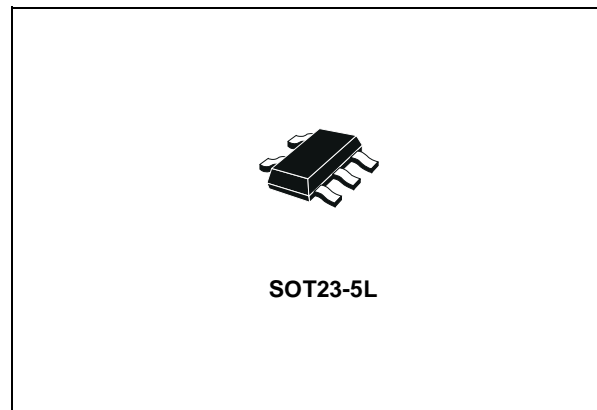


## VERY LOW DROP AND LOW NOISE VOLTAGE REGULATOR LOW ESR CAP. COMPATIBLE, WITH INHIBIT FUNCTION

- VERY LOW DROPOUT VOLTAGE (280mV AT 150mA AND 7mV AT 1mA LOAD)
- VERY LOW QUIESCENT CURRENT (2mA TYP. AT 150mA LOAD AND 80µA AT NO LOAD)
- OUTPUT CURRENT UP TO 150mA
- LOGIC CONTROLLED ELECTRONIC SHUTDOWN
- OUTPUT VOLTAGE OF 1.5, 1.8, 2.5, 2.8, 2.85, 3, 3.1, 3.2, 3.3, 3.5, 3.6, 3.8, 4, 4.7, 5V
- INTERNAL CURRENT AND THERMAL LIMIT
- AVAILABLE IN  $\pm 1\%$  TOLLERANCE (AT 25°C, A VERSION)
- LOW OUTPUT NOISE VOLTAGE 30µVrms
- SMALLEST PACKAGE SOT23-5L
- TEMPERATURE RANGE: -40°C TO 125°C

### DESCRIPTION

The LD2985 is a 150mA fixed output voltage regulator. The ultra low drop voltage and the low quiescent current make them particularly suitable for low noise, low power applications, and in battery powered systems. In sleep mode quiescent current is less than 1µA when INHIBIT pin is pulled low. Shutdown Logic Control Function

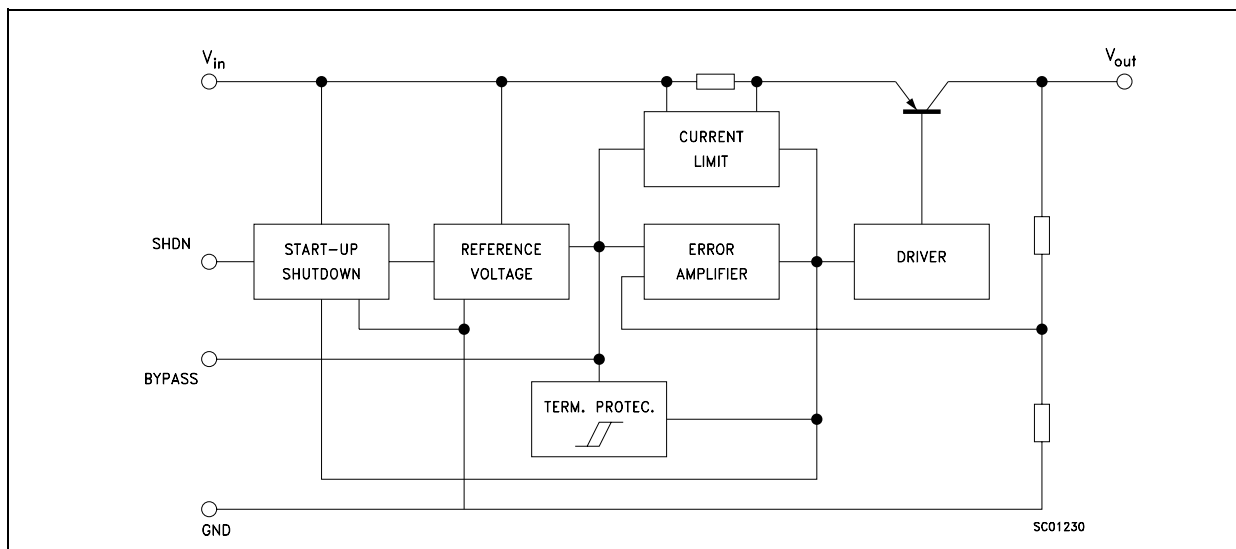


is available on pin 3 (TTL compatible). This means that when the device is used as local regulator, it is possible to put a part of the board in standby, decreasing the total power consumption.

An external capacitor,  $C_{BYP}=10nF$ , connected between bypass pin and GND reduce the noise to 30µVrms.

Typical application are in cellular phone, palmtop laptop computer, personal digital assistant (PDA), personal stereo, camcorder and camera.

### SCHEMATIC DIAGRAM



## LD2985 SERIES

### ABSOLUTE MAXIMUM RATINGS

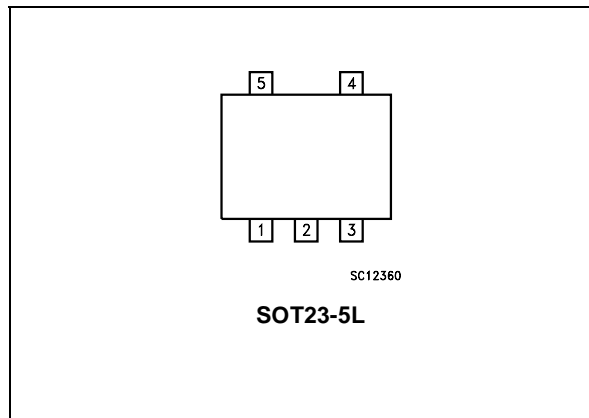
Symbol	Parameter	Value	Unit
$V_I$	DC Input Voltage	16	V
$V_{INH}$	INHIBIT Input Voltage	16	V
$I_O$	Output Current	Internally limited	
$P_{tot}$	Power Dissipation	Internally limited	
$T_{stg}$	Storage Temperature Range	-65 to +150	°C
$T_{op}$	Operating Junction Temperature Range	-40 to +125	°C

Absolute Maximum Ratings are those values beyond which damage to the device may occur. Functional operation under these condition is not implied.

### THERMAL DATA

Symbol	Parameter	SOT23-5L	Unit
$R_{thj-case}$	Thermal Resistance Junction-case	81	°C/W

### CONNECTION DIAGRAM (top view)



### PIN DESCRIPTION

Pin N°	Symbol	Name and Function
1	IN	Input Port
2	GND	Ground Pin
3	INHIBIT	Control switch ON/OFF. Inhibit is not internally pulled-up; it cannot be left floating. Disable the device when connected to GND or to a positive voltage less than 0.18V
4	Bypass	Bypass Pin: Capacitor to be connected to GND in order to improve the thermal noise performances.
5	OUT	Output Port

### ORDERING CODES

A VERSION	B VERSION	OUTPUT VOLTAGES
LD2985AM15R	LD2985BM15R	1.5V
LD2985AM18R	LD2985BM18R	1.8V
LD2985AM25R	LD2985BM25R	2.5V
LD2985AM28R	LD2985BM28R	2.8V
LD2985AM285R	LD2985BM285R	2.85V
LD2985AM30R	LD2985BM30R	3.0V
LD2985AM31R	LD2985BM31R	3.1V
LD2985AM32R	LD2985BM32R	3.2V
LD2985AM33R	LD2985BM33R	3.3V
LD2985AM35R	LD2985BM35R	3.5V
LD2985AM36R	LD2985BM36R	3.6V
LD2985AM38R	LD2985BM38R	3.8V
LD2985AM40R	LD2985BM40R	4.0V
LD2985AM47R	LD2985BM47R	4.7V
LD2985AM50R	LD2985BM50R	5.0V

**ELECTRICAL CHARACTERISTICS FOR LD2985A** ( $T_J = 25^\circ\text{C}$ ,  $V_I = V_O + 1\text{V}$ ,  $I_O = 1\text{mA}$ ,  $V_{\text{SHDN}} = 2\text{V}$ ,  $C_I = 1\mu\text{F}$ ,  $C_O = 1\mu\text{F}$ , unless otherwise specified)

Symbol	Parameter	Test Conditions	Min.	Typ.	Max.	Unit
$V_{\text{Op}}$	Operating Input Voltage		2.5		16	V
$V_O$	Output Voltage	$V_I = 2.5\text{V}$	1.485	1.5	1.515	V
		$I_O = 1$ to $50\text{mA}$	1.462		1.538	V
		$I_O = 1$ to $50\text{mA}$ $T_J = -40$ to $125^\circ\text{C}$	1.447		1.553	V
$V_O$	Output Voltage	$V_I = 2.8\text{V}$	1.782	1.8	1.818	V
		$I_O = 1$ to $150\text{mA}$	1.755		1.845	V
		$I_O = 1$ to $150\text{mA}$ $T_J = -40$ to $125^\circ\text{C}$	1.737		1.863	V
$V_O$	Output Voltage	$V_I = 3.5\text{V}$	2.475	2.5	2.525	V
		$I_O = 1$ to $150\text{mA}$	2.4375		2.5625	V
		$I_O = 1$ to $150\text{mA}$ $T_J = -40$ to $125^\circ\text{C}$	2.4125		2.5875	V
$V_O$	Output Voltage	$V_I = 3.8\text{V}$	2.772	2.8	2.828	V
		$I_O = 1$ to $150\text{mA}$	2.730		2.870	V
		$I_O = 1$ to $150\text{mA}$ $T_J = -40$ to $125^\circ\text{C}$	2.702		2.898	V
$V_O$	Output Voltage	$V_I = 3.85\text{V}$	2.821	2.85	2.879	V
		$I_O = 1$ to $50\text{mA}$	2.778		2.921	V
		$I_O = 1$ to $50\text{mA}$ $T_J = -40$ to $125^\circ\text{C}$	2.750		2.950	V
$V_O$	Output Voltage	$V_I = 4.0\text{V}$	2.970	3.0	3.030	V
		$I_O = 1$ to $150\text{mA}$	2.925		3.075	V
		$I_O = 1$ to $150\text{mA}$ $T_J = -40$ to $125^\circ\text{C}$	2.895		3.105	V
$V_O$	Output Voltage	$V_I = 4.1\text{V}$	3.069	3.1	3.131	V
		$I_O = 1$ to $150\text{mA}$	3.022		3.1775	V
		$I_O = 1$ to $150\text{mA}$ $T_J = -40$ to $125^\circ\text{C}$	2.9915		3.2085	V
$V_O$	Output Voltage	$V_I = 4.2\text{V}$	3.168	3.2	3.232	V
		$I_O = 1$ to $150\text{mA}$	3.120		3.280	V
		$I_O = 1$ to $150\text{mA}$ $T_J = -40$ to $125^\circ\text{C}$	3.088		3.312	V
$V_O$	Output Voltage	$V_I = 4.3\text{V}$	3.267	3.3	3.333	V
		$I_O = 1$ to $150\text{mA}$	3.2175		3.3825	V
		$I_O = 1$ to $150\text{mA}$ $T_J = -40$ to $125^\circ\text{C}$	3.1845		3.4155	V
$V_O$	Output Voltage	$V_I = 4.5\text{V}$	3.465	3.5	3.535	V
		$I_O = 1$ to $150\text{mA}$	3.412		3.587	V
		$I_O = 1$ to $150\text{mA}$ $T_J = -40$ to $125^\circ\text{C}$	3.377		3.622	V
$V_O$	Output Voltage	$V_I = 4.6\text{V}$	3.564	3.6	3.636	V
		$I_O = 1$ to $150\text{mA}$	3.510		3.690	V
		$I_O = 1$ to $150\text{mA}$ $T_J = -40$ to $125^\circ\text{C}$	3.474		3.726	V
$V_O$	Output Voltage	$V_I = 4.8\text{V}$	3.762	3.8	3.838	V
		$I_O = 1$ to $150\text{mA}$	3.705		3.895	V
		$I_O = 1$ to $150\text{mA}$ $T_J = -40$ to $125^\circ\text{C}$	3.667		3.933	V
$V_O$	Output Voltage	$V_I = 5.0\text{V}$	3.96	4	4.04	V
		$I_O = 1$ to $150\text{mA}$	3.9		4.1	V
		$I_O = 1$ to $150\text{mA}$ $T_J = -40$ to $125^\circ\text{C}$	3.86		4.14	V

## LD2985 SERIES

Symbol	Parameter	Test Conditions	Min.	Typ.	Max.	Unit
V <sub>O</sub>	Output Voltage	V <sub>I</sub> = 5.7V	4.653	4.7	4.747	V
		I <sub>O</sub> = 1 to 150mA	4.582		4.817	V
		I <sub>O</sub> = 1 to 150mA T <sub>J</sub> = -40 to 125°C	4.5355		4.8645	V
V <sub>O</sub>	Output Voltage	V <sub>I</sub> = 6.0V	4.95	5	5.05	V
		I <sub>O</sub> = 1 to 150mA	4.875		5.125	V
		I <sub>O</sub> = 1 to 150mA T <sub>J</sub> = -40 to 125°C	4.825		5.175	V
I <sub>SC</sub>	Short Circuit Current	R <sub>L</sub> = 0		400		mA
ΔV <sub>O</sub> /ΔV <sub>I</sub>	Line Regulation	V <sub>I</sub> = V <sub>O</sub> +1V to 16V, I <sub>O</sub> = 1mA		0.003	0.014	%/V <sub>I</sub>
		V <sub>I</sub> = V <sub>O</sub> +1V to 16V, I <sub>O</sub> = 1mA T <sub>J</sub> = -40 to 125°C			0.032	%/V <sub>I</sub>
V <sub>d</sub>	Dropout Voltage	I <sub>O</sub> = 0		1	3	mV
		I <sub>O</sub> = 0 T <sub>J</sub> = -40 to 125°C			5	mV
		I <sub>O</sub> = 1mA		7	10	mV
		I <sub>O</sub> = 1mA T <sub>J</sub> = -40 to 125°C			15	mV
		I <sub>O</sub> = 10mA		40	60	mV
		I <sub>O</sub> = 10mA T <sub>J</sub> = -40 to 125°C			90	mV
		I <sub>O</sub> = 50mA		120	150	mV
		I <sub>O</sub> = 50mA T <sub>J</sub> = -40 to 125°C			225	mV
		I <sub>O</sub> = 150mA		280	350	mV
		I <sub>O</sub> = 150mA T <sub>J</sub> = -40 to 125°C			575	mV
I <sub>d</sub>	Quiescent Current	I <sub>O</sub> = 0		80	100	μA
		I <sub>O</sub> = 0 T <sub>J</sub> = -40 to 125°C			150	μA
		I <sub>O</sub> = 1mA		100	150	μA
		I <sub>O</sub> = 1mA T <sub>J</sub> = -40 to 125°C			200	μA
		I <sub>O</sub> = 10mA		200	300	μA
		I <sub>O</sub> = 10mA T <sub>J</sub> = -40 to 125°C			400	μA
		I <sub>O</sub> = 50mA		600	900	μA
		I <sub>O</sub> = 50mA T <sub>J</sub> = -40 to 125°C			1200	μA
		I <sub>O</sub> = 150mA		2000	3000	μA
		I <sub>O</sub> = 150mA T <sub>J</sub> = -40 to 125°C			4000	μA
		OFF MODE V <sub>INH</sub> < 0.18V		0		μA
		OFF MODE V <sub>INH</sub> < 0.18V T <sub>J</sub> = -40 to 125°C			2	μA
SVR	Supply Voltage Rejection	C <sub>BYP</sub> = 0.01μF C <sub>O</sub> = 10μF f = 1KHz		45		dB
V <sub>IL</sub>	Control Input Logic Low	T <sub>J</sub> = -40 to 125°C			0.15	V
V <sub>IH</sub>	Control Input Logic High	T <sub>J</sub> = -40 to 125°C	2			V
I <sub>INH</sub>	Control Input Current	T <sub>J</sub> = -40 to 125°C V <sub>SHDN</sub> = 5V		5	15	μA
		T <sub>J</sub> = -40 to 125°C V <sub>SHDN</sub> = 0V		0	-1	μA
eN	Output Noise Voltage	B = 300Hz to 50KHz C <sub>BYP</sub> = 0.01μF C <sub>O</sub> = 10μF		30		μV

**ELECTRICAL CHARACTERISTICS FOR LD2985B** ( $T_J = 25^\circ\text{C}$ ,  $V_I = V_O + 1\text{V}$ ,  $I_O = 1\text{mA}$ ,  $V_{\text{SHDN}} = 2\text{V}$ ,  $C_I = 1\mu\text{F}$ ,  $C_O = 1\mu\text{F}$ , unless otherwise specified)

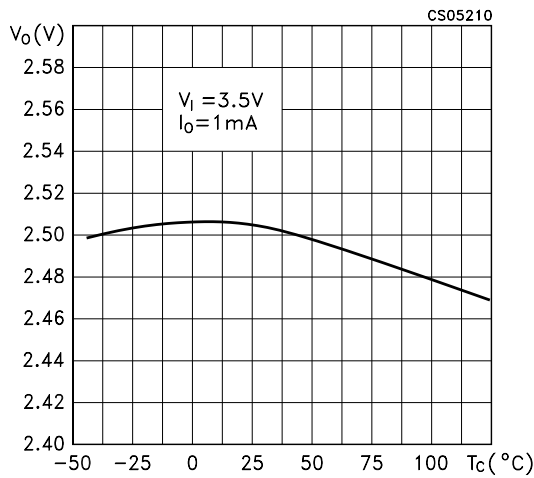
Symbol	Parameter	Test Conditions	Min.	Typ.	Max.	Unit
$V_{\text{Op}}$	Operating Input Voltage		2.5		16	V
$V_O$	Output Voltage	$V_I = 2.5\text{V}$	1.477	1.5	1.523	V
		$I_O = 1$ to $150\text{mA}$	1.455		1.545	V
		$I_O = 1$ to $150\text{mA}$ $T_J = -40$ to $125^\circ\text{C}$	1.440		1.560	V
$V_O$	Output Voltage	$V_I = 2.8\text{V}$	1.773	1.8	1.827	V
		$I_O = 1$ to $150\text{mA}$	1.746		1.854	V
		$I_O = 1$ to $150\text{mA}$ $T_J = -40$ to $125^\circ\text{C}$	1.728		1.872	V
$V_O$	Output Voltage	$V_I = 3.5\text{V}$	2.4625	2.5	2.5375	V
		$I_O = 1$ to $150\text{mA}$	2.425		2.575	V
		$I_O = 1$ to $150\text{mA}$ $T_J = -40$ to $125^\circ\text{C}$	2.4		2.6	V
$V_O$	Output Voltage	$V_I = 3.8\text{V}$	2.758	2.8	2.842	V
		$I_O = 1$ to $150\text{mA}$	2.716		2.884	V
		$I_O = 1$ to $150\text{mA}$ $T_J = -40$ to $125^\circ\text{C}$	2.688		2.912	V
$V_O$	Output Voltage	$V_I = 3.85\text{V}$	2.807	2.85	2.893	V
		$I_O = 1$ to $150\text{mA}$	2.764		2.935	V
		$I_O = 1$ to $150\text{mA}$ $T_J = -40$ to $125^\circ\text{C}$	2.736		2.964	V
$V_O$	Output Voltage	$V_I = 4.0\text{V}$	2.955	3.0	3.045	V
		$I_O = 1$ to $150\text{mA}$	2.91		3.09	V
		$I_O = 1$ to $150\text{mA}$ $T_J = -40$ to $125^\circ\text{C}$	2.88		3.12	V
$V_O$	Output Voltage	$V_I = 4.1\text{V}$	3.0535	3.1	3.1465	V
		$I_O = 1$ to $150\text{mA}$	3.007		3.193	V
		$I_O = 1$ to $150\text{mA}$ $T_J = -40$ to $125^\circ\text{C}$	2.976		3.224	V
$V_O$	Output Voltage	$V_I = 4.2\text{V}$	3.152	3.2	3.248	V
		$I_O = 1$ to $150\text{mA}$	3.104		3.296	V
		$I_O = 1$ to $150\text{mA}$ $T_J = -40$ to $125^\circ\text{C}$	3.072		3.328	V
$V_O$	Output Voltage	$V_I = 4.3\text{V}$	3.2505	3.3	3.3495	V
		$I_O = 1$ to $150\text{mA}$	3.201		3.399	V
		$I_O = 1$ to $150\text{mA}$ $T_J = -40$ to $125^\circ\text{C}$	3.168		3.432	V
$V_O$	Output Voltage	$V_I = 4.5\text{V}$	3.447	3.5	3.552	V
		$I_O = 1$ to $150\text{mA}$	3.395		3.605	V
		$I_O = 1$ to $150\text{mA}$ $T_J = -40$ to $125^\circ\text{C}$	3.360		3.640	V
$V_O$	Output Voltage	$V_I = 4.6\text{V}$	3.546	3.6	3.654	V
		$I_O = 1$ to $150\text{mA}$	3.492		3.708	V
		$I_O = 1$ to $150\text{mA}$ $T_J = -40$ to $125^\circ\text{C}$	3.456		3.744	V
$V_O$	Output Voltage	$V_I = 4.8\text{V}$	3.743	3.8	3.857	V
		$I_O = 1$ to $150\text{mA}$	3.686		3.914	V
		$I_O = 1$ to $150\text{mA}$ $T_J = -40$ to $125^\circ\text{C}$	3.648		3.952	V
$V_O$	Output Voltage	$V_I = 5.0\text{V}$	3.94	4	4.06	V
		$I_O = 1$ to $150\text{mA}$	3.88		4.12	V
		$I_O = 1$ to $150\text{mA}$ $T_J = -40$ to $125^\circ\text{C}$	3.84		4.16	V

## LD2985 SERIES

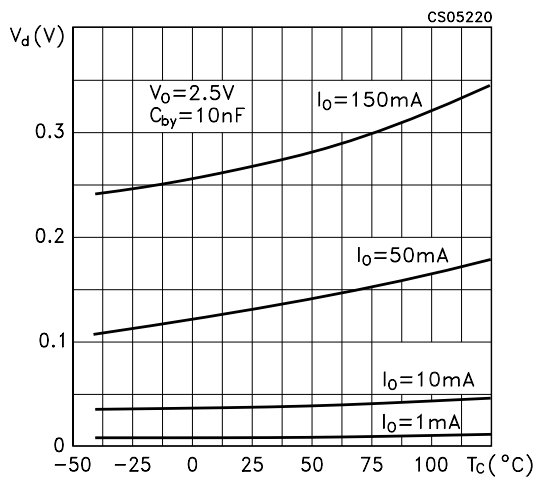
Symbol	Parameter	Test Conditions	Min.	Typ.	Max.	Unit
V <sub>O</sub>	Output Voltage	V <sub>I</sub> = 5.7V	4.6295	4.7	4.7705	V
		I <sub>O</sub> = 1 to 150mA	4.559		4.841	V
		I <sub>O</sub> = 1 to 150mA T <sub>J</sub> = -40 to 125°C	4.512		4.888	V
V <sub>O</sub>	Output Voltage	V <sub>I</sub> = 6.0V	4.925	5	5.075	V
		I <sub>O</sub> = 1 to 150mA	4.85		5.15	V
		I <sub>O</sub> = 1 to 150mA T <sub>J</sub> = -40 to 125°C	4.8		5.2	V
I <sub>SC</sub>	Short Circuit Current	R <sub>L</sub> = 0		400		mA
ΔV <sub>O</sub> /ΔV <sub>I</sub>	Line Regulation	V <sub>I</sub> = V <sub>O</sub> +1V to 16V, I <sub>O</sub> = 1mA		0.003	0.014	%/V <sub>I</sub>
		V <sub>I</sub> = V <sub>O</sub> +1V to 16V, I <sub>O</sub> = 1mA T <sub>J</sub> = -40 to 125°C			0.032	%/V <sub>I</sub>
V <sub>d</sub>	Dropout Voltage	I <sub>O</sub> = 0		1	3	mV
		I <sub>O</sub> = 0 T <sub>J</sub> = -40 to 125°C			5	mV
		I <sub>O</sub> = 1mA		7	10	mV
		I <sub>O</sub> = 1mA T <sub>J</sub> = -40 to 125°C			15	mV
		I <sub>O</sub> = 10mA		40	60	mV
		I <sub>O</sub> = 10mA T <sub>J</sub> = -40 to 125°C			90	mV
		I <sub>O</sub> = 50mA		120	150	mV
		I <sub>O</sub> = 50mA T <sub>J</sub> = -40 to 125°C			225	mV
		I <sub>O</sub> = 150mA		280	350	mV
		I <sub>O</sub> = 150mA T <sub>J</sub> = -40 to 125°C			575	mV
I <sub>d</sub>	Quiescent Current	I <sub>O</sub> = 0		80	100	μA
		I <sub>O</sub> = 0 T <sub>J</sub> = -40 to 125°C			150	μA
		I <sub>O</sub> = 1mA		100	150	μA
		I <sub>O</sub> = 1mA T <sub>J</sub> = -40 to 125°C			200	μA
		I <sub>O</sub> = 10mA		200	300	μA
		I <sub>O</sub> = 10mA T <sub>J</sub> = -40 to 125°C			400	μA
		I <sub>O</sub> = 50mA		600	900	μA
		I <sub>O</sub> = 50mA T <sub>J</sub> = -40 to 125°C			1200	μA
		I <sub>O</sub> = 150mA		2000	3000	μA
		I <sub>O</sub> = 150mA T <sub>J</sub> = -40 to 125°C			4000	μA
		OFF MODE V <sub>INH</sub> < 0.18V		0		μA
		OFF MODE V <sub>INH</sub> < 0.18V T <sub>J</sub> = -40 to 125°C			2	μA
SVR	Supply Voltage Rejection	C <sub>BYP</sub> = 0.01μF C <sub>O</sub> = 10μF f = 1KHz		45		dB
V <sub>IL</sub>	Control Input Logic Low	T <sub>J</sub> = -40 to 125°C			0.15	V
V <sub>IH</sub>	Control Input Logic High	T <sub>J</sub> = -40 to 125°C	2			V
I <sub>INH</sub>	Control Input Current	T <sub>J</sub> = -40 to 125°C V <sub>SHDN</sub> = 5V		5	15	μA
		T <sub>J</sub> = -40 to 125°C V <sub>SHDN</sub> = 0V		0	-1	μA
eN	Output Noise Voltage	B = 300Hz to 50KHz C <sub>BYP</sub> = 0.01μF C <sub>O</sub> = 10μF		30		μV

**TYPICAL CHARACTERISTICS** (unless otherwise specified  $T_J = 25^\circ\text{C}$ ,  $C_I = 1\mu\text{F}$ ,  $C_O = 2.2\mu\text{F}$ ,  $C_{BYP} = 100\text{nF}$ )

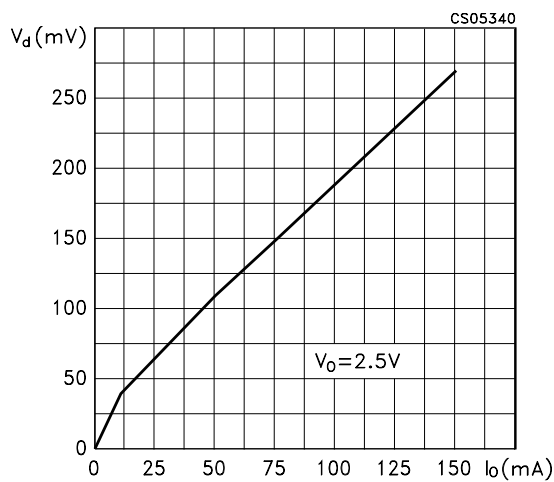
**Figure 1 : Output Voltage vs Temperature**



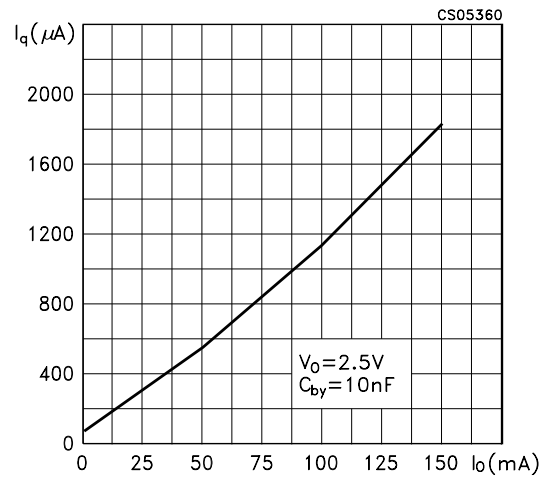
**Figure 2 : Dropout Voltage vs Temperature**



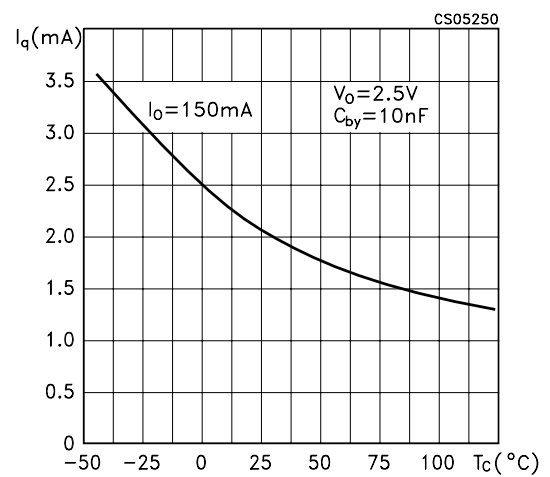
**Figure 3 : Dropout Voltage vs Output Current**



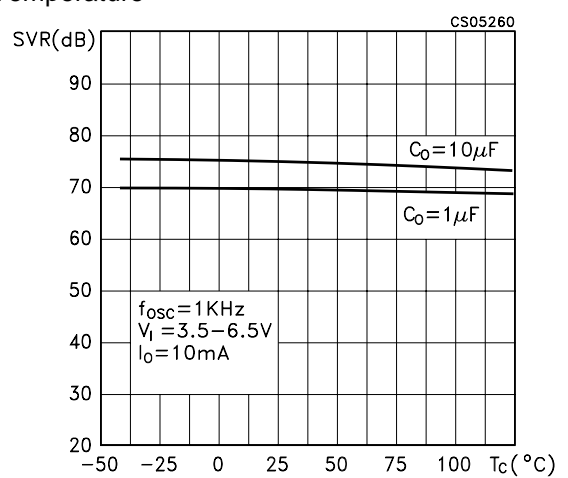
**Figure 4 : Quiescent Current vs Load Current**



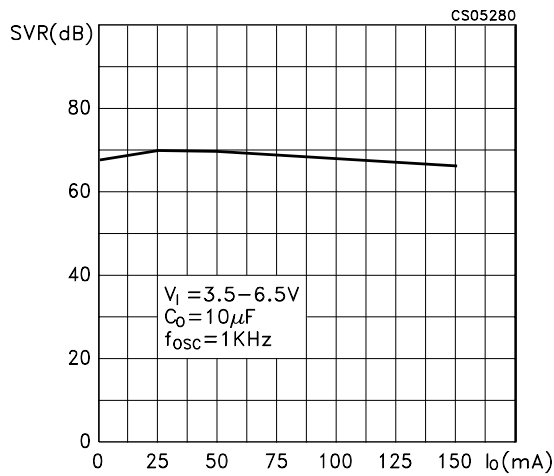
**Figure 5 : Quiescent Current vs Temperature**



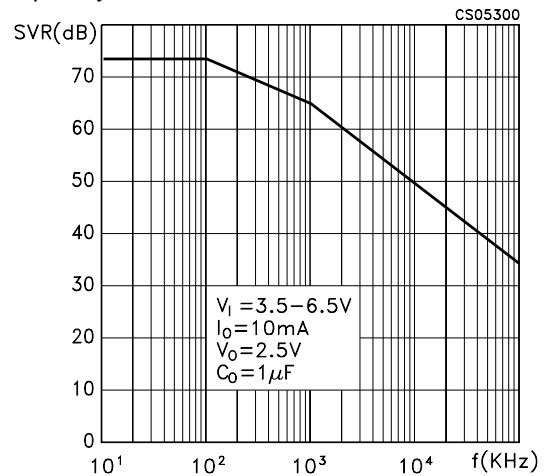
**Figure 6 : Supply Voltage Rejection vs Temperature**



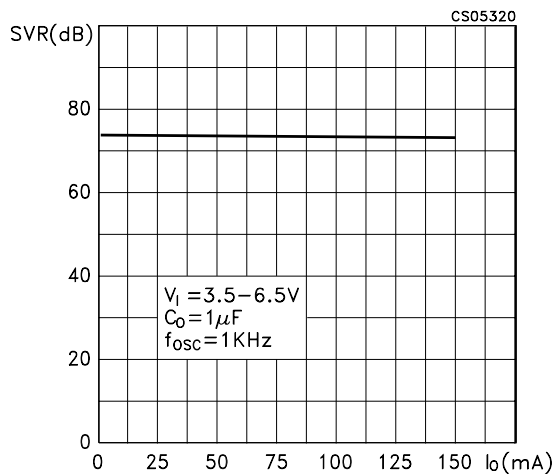
**Figure 7 : Supply Voltage Rejection vs Output Current**



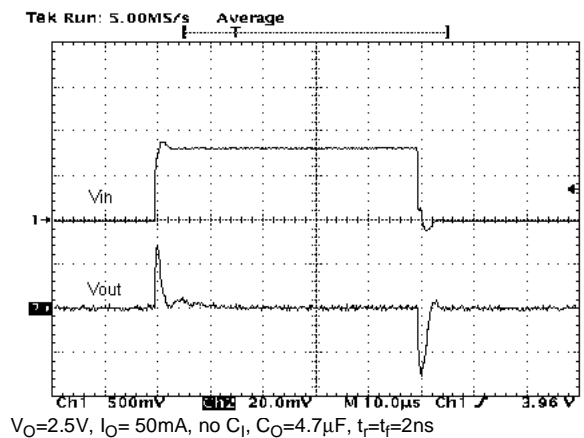
**Figure 10 : Supply Voltage Rejection vs Frequency**



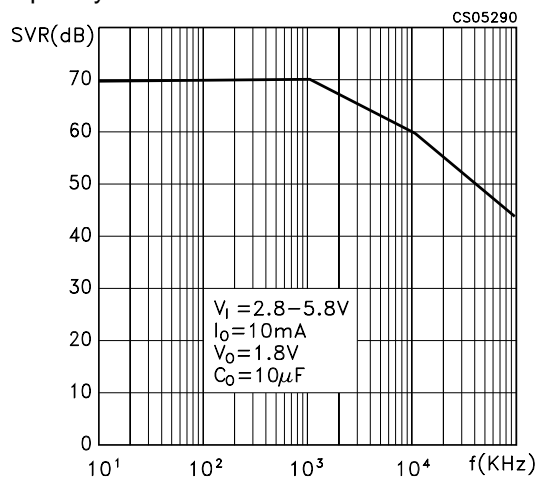
**Figure 8 : Supply Voltage Rejection vs Output Current**



**Figure 11 : Line Transient**



**Figure 9 : Supply Voltage Rejection vs Frequency**



**Figure 12 : Line Transient**

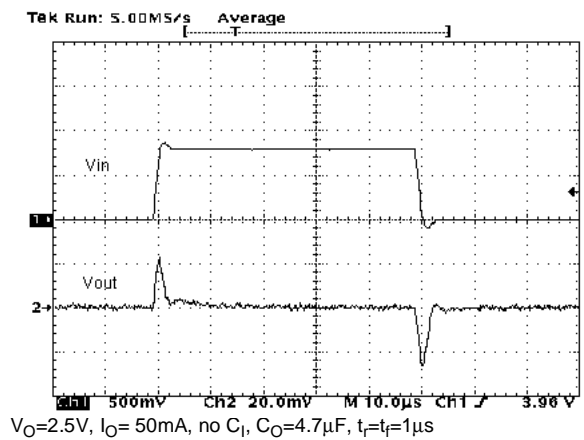




Figure 13 : Load Transient

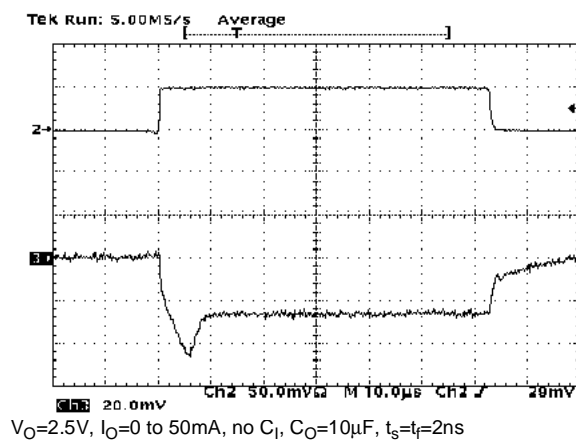
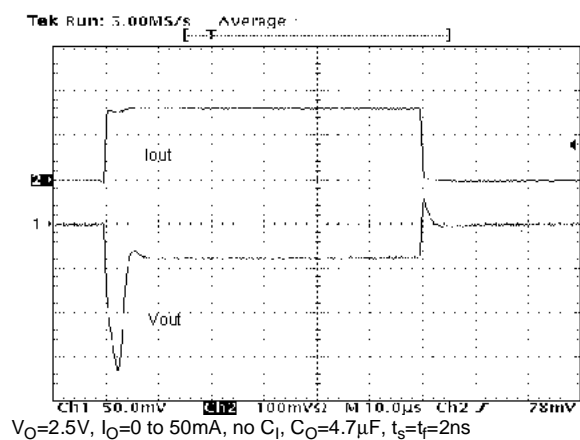


Figure 14 : Load Transient



## EXTERNAL CAPACITORS

Like any low-dropout regulator, the LD2985 requires external capacitors for regulator stability. This capacitor must be selected to meet the requirements of minimum capacitance and equivalent series resistance. We suggest to solder input and output capacitors as close as possible to the relative pins.

## INPUT CAPACITOR

An input capacitor whose value is  $1\mu F$  is required with the LD2985 (amount of capacitance can be increased without limit). This capacitor must be located a distance of not more than 0.5" from the input pin of the device and returned to a clean analog ground. Any good quality ceramic, tantalum or film capacitors can be used for this capacitor.

## OUTPUT CAPACITOR

The LD2985 is designed specifically to work with ceramic output capacitors. It may also be possible to use Tantalum capacitors, but these are not as attractive for reasons of size and cost. By the way, the output capacitor must meet both the requirement for minimum amount of capacitance and E.S.R. (equivalent series resistance) value. Due to the different loop gain, the stability improves for higher output versions and so the suggested minimum output capacitor value, if low E.S.R. ceramic type is used, is  $1\mu F$  for output voltages equal or major than 3.8V,  $2.2\mu F$  for  $V_O$  going from 1.8 to 3.3V, and  $3.3\mu F$  for the other versions. However, if an output capacitor lower than the suggested one is used, it's possible to make stable the regulator adding a resistor in series to the capacitor.

### IMPORTANT:

The output capacitor must maintain its ESR in the stable region over the full operating temperature to assure stability. Also, capacitor tolerance and variation with temperature must be considered to assure the minimum amount of capacitance is provided at all times. This capacitor should be located not more than 0.5" from the output pin of the device and returned to a clean analog ground.

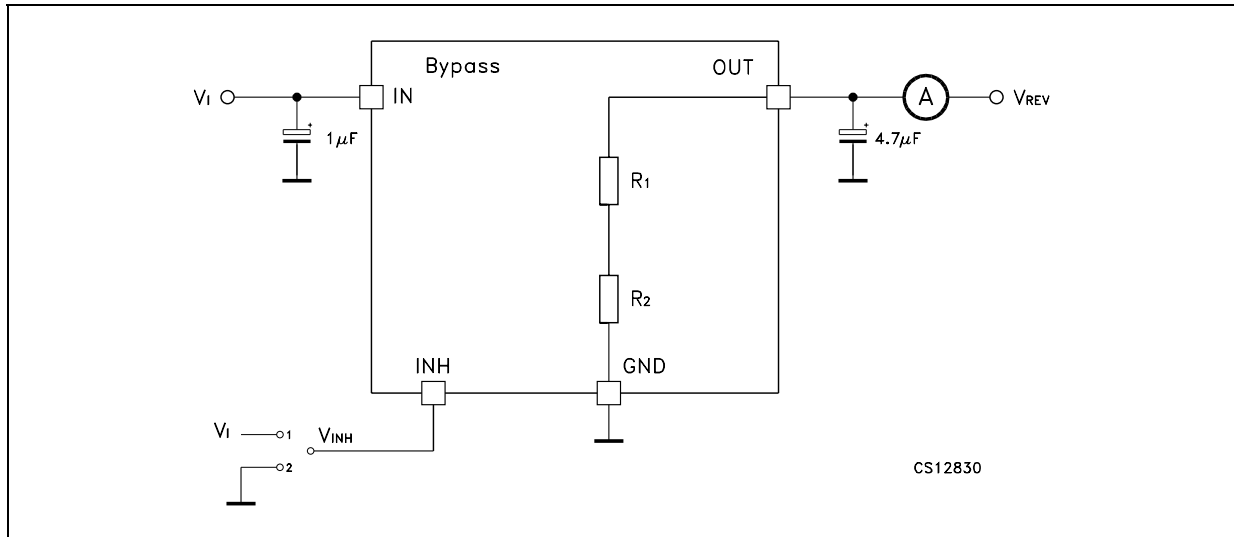
## INHIBIT INPUT OPERATION

The inhibit pin can be used to turn OFF the regulator when pulled low, so drastically reducing the current consumption down to less than  $1\mu A$ . When the inhibit feature is not used, this pin must be tied to  $V_I$  to keep the regulator output ON at all times. To assure proper operation, the signal source used to drive the inhibit pin must be able to swing above and below the specified thresholds listed in the electrical characteristics section under  $V_{IH}$   $V_{IL}$ . Any slew rate can be used to drive the inhibit.

### REVERSE CURRENT

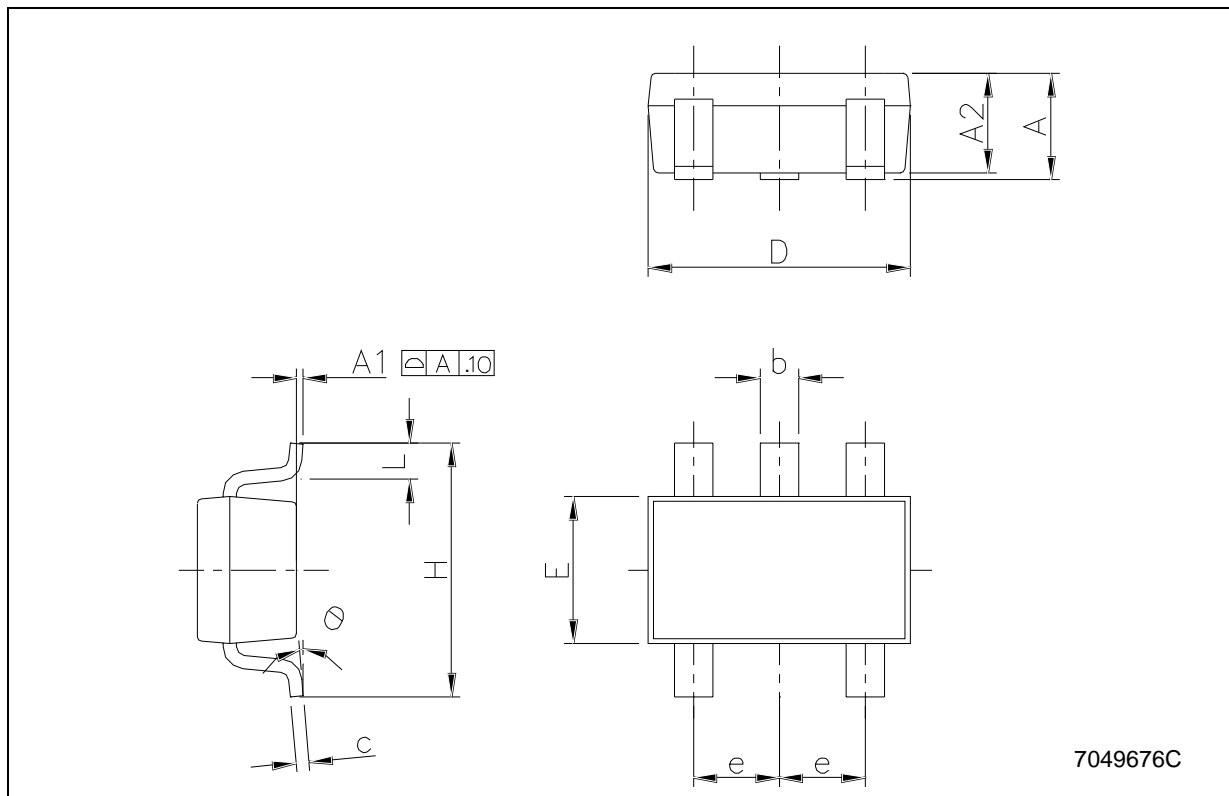
The power transistor used in the LD2985 has not an inherent diode connected between the regulator input and output. If the output is forced above the input, no current will flow from the output to the input across the series pass transistor. When a  $V_{REV}$  voltage is applied on the output, the reverse current measured flows to the GND across the two feedback resistors. This current typical value is 160 $\mu$ A.  $R_1$  and  $R_2$  resistors are implanted type; typical values are, respectively, 42.6 K $\Omega$  and 51.150 K $\Omega$ .

**Figure 15** : Reverse Current Test Circuit



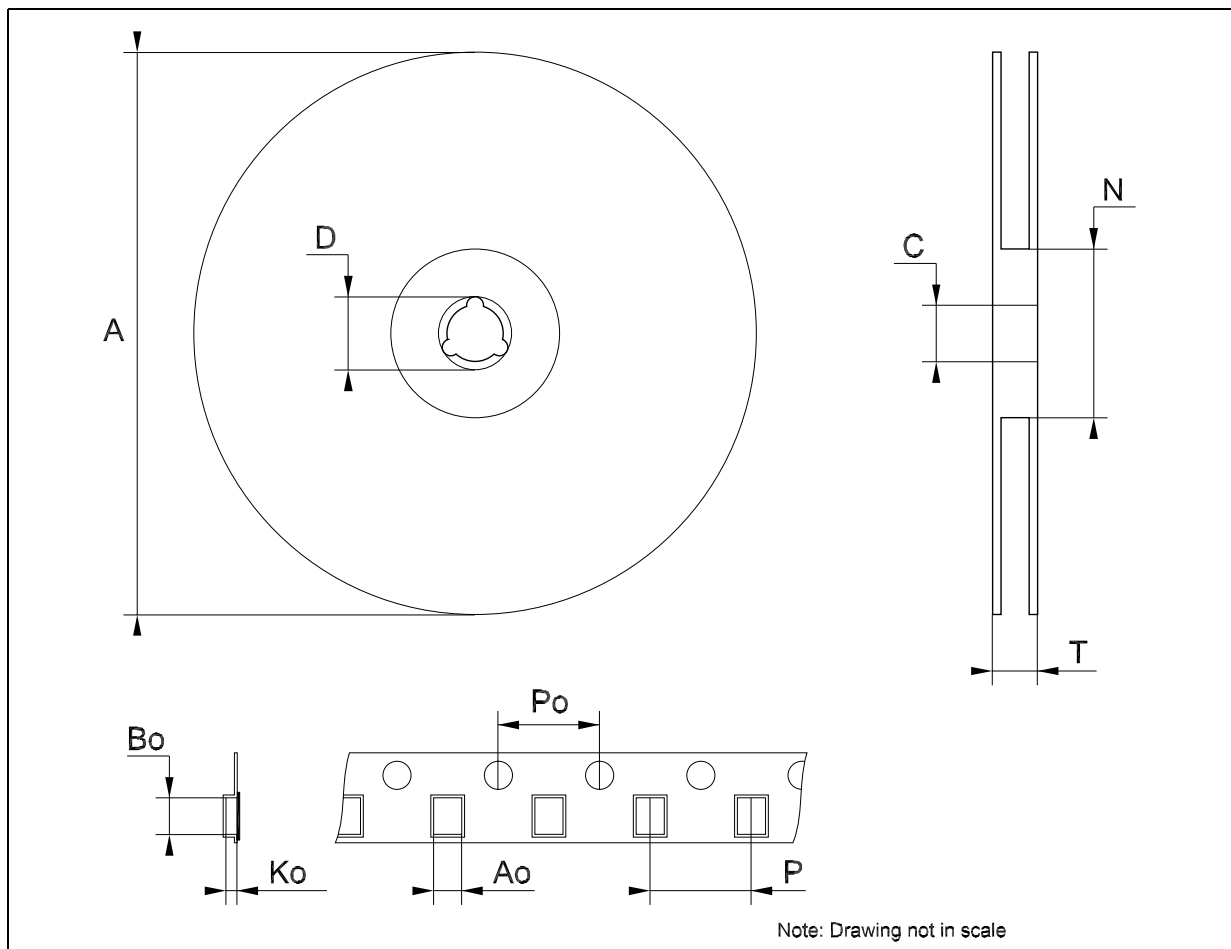
## SOT23-5L MECHANICAL DATA

DIM.	mm.			mils		
	MIN.	TYP	MAX.	MIN.	TYP.	MAX.
A	0.90		1.45	35.4		57.1
A1	0.00		0.10	0.0		3.9
A2	0.90		1.30	35.4		51.2
b	0.35		0.50	13.7		19.7
C	0.09		0.20	3.5		7.8
D	2.80		3.00	110.2		118.1
E	1.50		1.75	59.0		68.8
e		0.95			37.4	
H	2.60		3.00	102.3		118.1
L	0.10		0.60	3.9		23.6



**Tape & Reel SOT23-xL MECHANICAL DATA**

DIM.	mm.			inch		
	MIN.	TYP	MAX.	MIN.	TYP.	MAX.
A			180			7.086
C	12.8	13.0	13.2	0.504	0.512	0.519
D	20.2			0.795		
N	60			2.362		
T			14.4			0.567
Ao	3.13	3.23	3.33	0.123	0.127	0.131
Bo	3.07	3.17	3.27	0.120	0.124	0.128
Ko	1.27	1.37	1.47	0.050	0.054	0.058
Po	3.9	4.0	4.1	0.153	0.157	0.161
P	3.9	4.0	4.1	0.153	0.157	0.161



Information furnished is believed to be accurate and reliable. However, STMicroelectronics assumes no responsibility for the consequences of use of such information nor for any infringement of patents or other rights of third parties which may result from its use. No license is granted by implication or otherwise under any patent or patent rights of STMicroelectronics. Specifications mentioned in this publication are subject to change without notice. This publication supersedes and replaces all information previously supplied. STMicroelectronics products are not authorized for use as critical components in life support devices or systems without express written approval of STMicroelectronics.

© The ST logo is a registered trademark of STMicroelectronics

© 2003 STMicroelectronics - Printed in Italy - All Rights Reserved  
STMicroelectronics GROUP OF COMPANIES

Australia - Brazil - Canada - China - Finland - France - Germany - Hong Kong - India - Israel - Italy - Japan - Malaysia - Malta - Morocco  
Singapore - Spain - Sweden - Switzerland - United Kingdom - United States.

© <http://www.st.com>