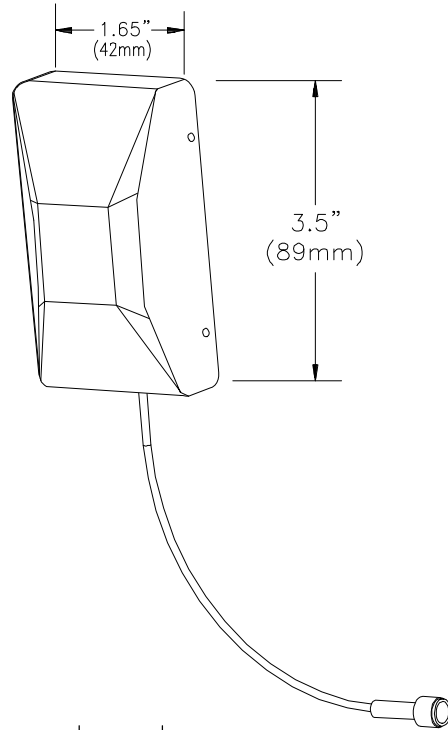


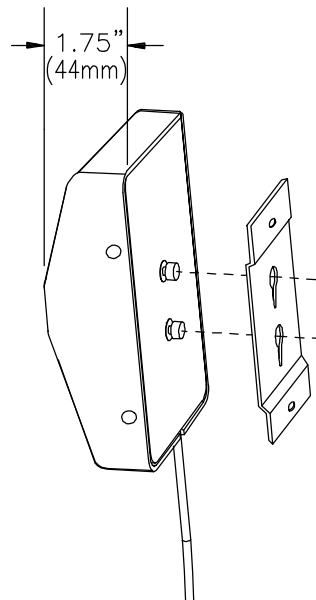
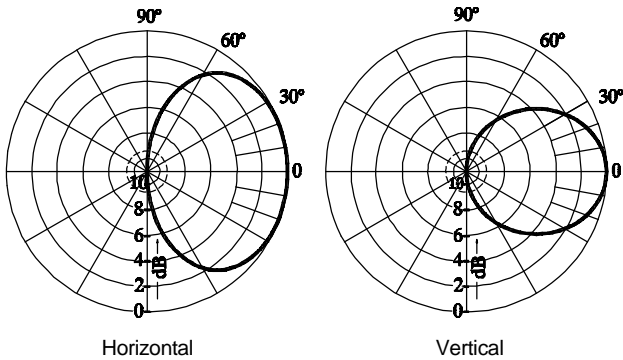
# DB791SD5(N/S)-M

Indoor Antenna  
1850-1990 MHz

<b>Model Number</b>	DB791SD5N-M	DB791SD5S-M
<b>Connector Options</b>	N = Type-N Female	S = SMA
<b>Impedence</b>	50 ohms	
<b>Gain</b>	2.9 dBd (5.0 dBi)	
<b>Beamwidth (3dB from max)</b>	Horizontal: 129°	Vertical: 75°
<b>Frequency Range</b>	1850 - 1990 MHz	
<b>VSWR</b>	< 1.5 : 1	
<b>Front-to-Back Ratio</b>	14.5 dB, avg.	
<b>Polarization</b>	Vertical	
<b>Max. Input Power</b>	25 Watts	
<b>Application</b>	PCS	
<b>Weight</b>	2.5 oz (.07 kg)	
<b>Material</b>	Radiators: PCB Copper Foil	Radome: ABS
	Back: Aluminum	
<b>Color, Radome</b>	White	
<b>Mounting</b>	Quick release wall mount.	
<b>Packing Size</b>	6" x 6" x 3" (15 x 15 x 7.6 cm)	
<b>Shipping Weight</b>	.4 lbs (.18 kg)	



## Antenna Patterns



**INDOOR**

Specifications are for reference only.

099010-003-C 02/00



**DECIBEL PRODUCTS**  
A Division of Allen Telecom Inc.

8635 Stemmons Freeway • P. O. Box 569610 • Dallas, Texas 75356-9610  
214 / 631-0310 • Fax: 214 / 631-4706

