

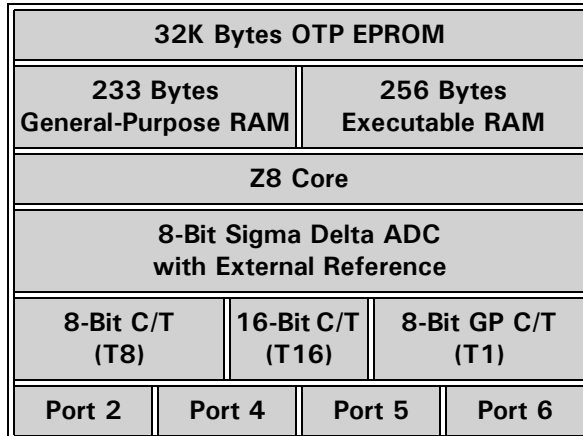


PB002700-IRR1199

# Z86D99

## LOW-VOLTAGE Z8 OTP MICROCONTROLLER WITH ADC

### Product Block Diagram



### General Description

The Z86D99 is a low-voltage general-purpose one-time programmable Z8<sup>®</sup> microcontroller with an integrated four-channel 8-bit sigma delta analog-to-digital converter.

The Z86D99 is designed to be used in a wide variety of embedded control applications, such as appliances, battery chargers, IR remotes, keyboards, and security systems.

### Operating Characteristics

- 8-MHz operation
- 3.0 V to 5.5 V operating voltage
- Low power consumption (40 mW typical) with three standby modes:
  - Stop (2  $\mu$ A typical)
  - Halt (0.8 mA typical)
  - Low voltage standby
- Low-battery detection flag
- Low-voltage protection circuit (VBO)
- Watchdog timer and power-on reset circuits

### Key Features

- 32K bytes of OTP EPROM
- 256 bytes of executable RAM
- 8-bit sigma delta A/D converter with external voltage references (not available in the 28-pin configuration)
- Two independent analog comparators
- VDD power filter (40/44-pin configuration only)
- Constant current source (100 mA)

### Counter/Timer Structure

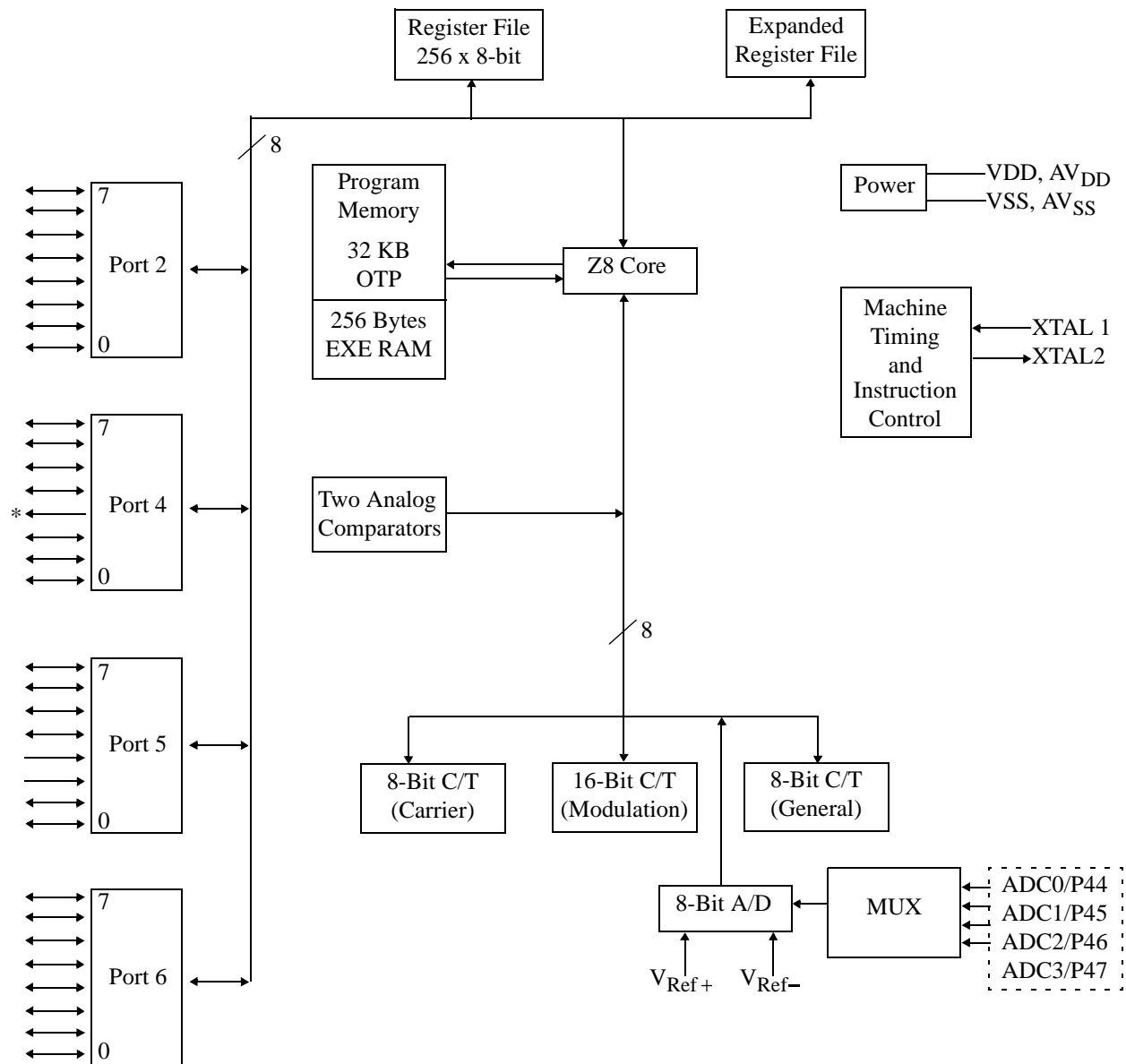
- Programmable 8-bit counter/timer (T8) with two 8-bit capture registers and two 8-bit load registers
- Programmable 16-bit counter/timer (T16) with one 16-bit capture register pair and one 16-bit load register pair
- General-purpose 8-bit counter/timer (T1) with 6-bit prescaler

### Input/Output and Interrupts

- Twenty-nine bidirectional I/Os with programmable resistive pull-up transistors (Twenty-one I/Os are available in the 28-pin configuration.)
- Sixteen I/Os are selectable as stop-mode recovery sources.
- Six interrupt vectors with nine interrupt sources
  - Three external sources
  - Two comparator interrupts
  - Three timer interrupts
  - One low-voltage detector

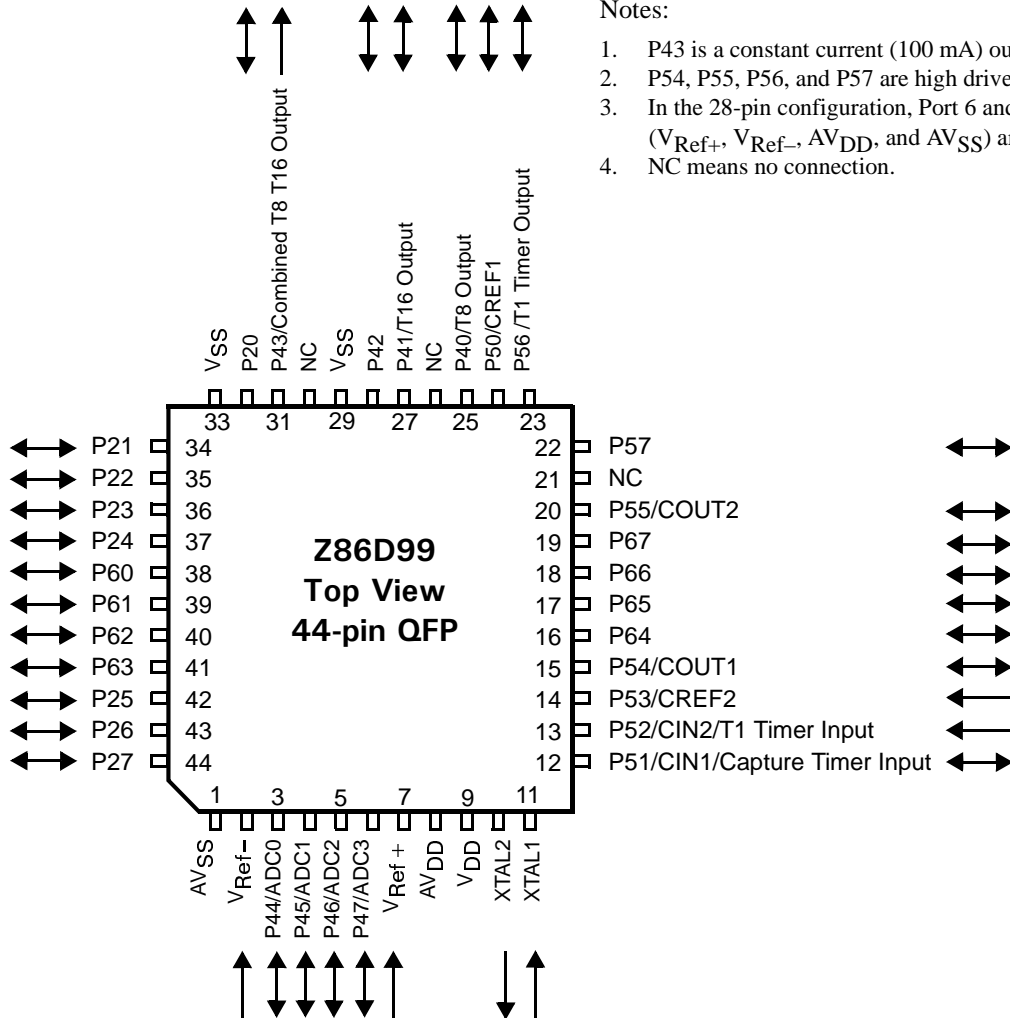


## Block Diagram of Z86D99



\*Constant Current Source (100 mA)

## Pin-Outs and Pin Direction



### Notes:

1. P43 is a constant current (100 mA) output source.
2. P54, P55, P56, and P57 are high drive outputs.
3. In the 28-pin configuration, Port 6 and the ADC ( $V_{Ref+}$ ,  $V_{Ref-}$ ,  $AV_{DD}$ , and  $AV_{SS}$ ) are not available.
4. NC means no connection.

## User Selectable Option Bits

- RC/other (LC, resonator, or crystal)
- Watchdog timer default state
- 32-kHz crystal
- Port 6 enable
- Ports 20-27 pull-up transistor
- Ports 40-42 pull-up transistor
- Ports 44-47 pull-up transistor
- Ports 50-51 pull-up transistor
- Ports 54-57 pull-up transistor
- Ports 60-63 pull-up transistor
- Ports 64-67 pull-up transistor



## Development Suite

The following development tools are available for the programming and debugging of this device:

- Z86L9900ZEM Emulator/Programmer
- ZiLOG Developer Studio (ZDS)
- ZiLOG C-Compiler

## Related Products

Z8 microcontrollers of interest are as follows:

Z86L99	ROM equivalent of Z86D99 (16K ROM, 2 V to 3.6 V operation)
Z86L88	Low-voltage IR Controller (16K ROM, 28 pin)
Z86L87	Low-voltage IR Keyboard Controller (16K ROM, 40 pin)

## Electrical Features Summary

- 50  $\mu$ A Maximum Supply Current
- 3.0 V to 5.5 V Operating Range

## Ordering Information

Part	PSI	Description
Z86D990	Z86D99008PSC	40-pin PDIP
Z86D990	Z86D99008FSC	44-pin QFP
Z86D991	Z86D99108SSC	28-pin SOIC (ADC not available)
Emulator	Z86L9900ZEM	Emulator/Programmer

## Document Disclaimer

© 1999 by ZiLOG, Inc. All rights reserved. Information in this publication concerning the devices, applications, or technology described is intended to suggest possible uses and may be superseded. ZiLOG, INC. DOES NOT ASSUME LIABILITY FOR OR PROVIDE A REPRESENTATION OF ACCURACY OF THE INFORMATION, DEVICES, OR TECHNOLOGY DESCRIBED IN THIS DOCUMENT. ZILOG ALSO DOES NOT ASSUME LIABILITY FOR INTELLECTUAL PROPERTY INFRINGEMENT RELATED IN ANY MANNER TO USE OF INFORMATION, DEVICES, OR TECHNOLOGY DESCRIBED HEREIN OR OTHERWISE. Except with the express written approval ZiLOG, use of information, devices, or technology as critical components of life support systems is not authorized. No licenses or other rights are conveyed, implicitly or otherwise, by this document under any intellectual property rights.