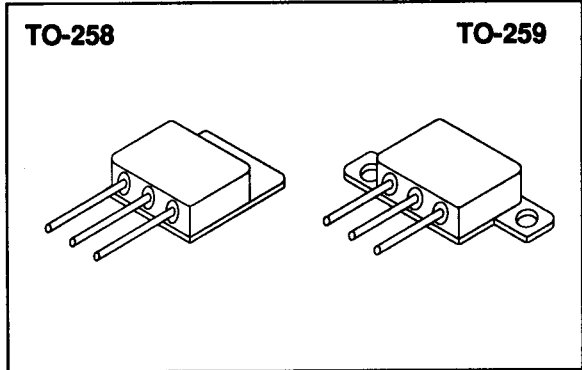


**SDR998CTN&P
 thru
 SDR9911CTN&P**

Designer's Data Sheet

**100 AMP
 800-1100 VOLTS
 80 nsec
 ULTRA FAST
 COMMON CATHODE
 CENTERTAP RECTIFIER**

- FEATURES:**
- Ultrafast Recovery: 60 nsec typical
 - High Surge Rating
 - Low Reverse Leakage Current
 - Low Forward Voltage Drop
 - Low Junction Capacitance
 - Hermetically Sealed Package
 - Gold Eutectic Die Attach available
 - Ultrasonic Aluminum Wire Bonds
 - Ceramic Seals for improved hermeticity available
 - Available in Common Anode and Doubler versions:
 SDR998CAN&P-SDR9911CAN&P
 SDR998DN&P-SDR9911DN&P
 - TX, TXV and Space Level Screening Available



MAXIMUM RATINGS

RATING	SYMBOL	VALUE	UNIT
Peak Repetitive Reverse and DC Blocking Voltage	VRRM	800	Volts
	VRWM	900	
	SDR998CTN&P SDR999CTN&P SDR9910CTN&P SDR9911CTN&P	1000	
	VR	1100	
Average Rectified Forward Current (Resistive Load, 60Hz, Sine Wave, TA=25°C) note 1	IO	100	Amps
Peak Surge Current (8.3 ms Pulse, Half Sine Wave, TA=25°C)	IFSM	550	Amps
Operating and storage temperature	Top & Tstg	-65 to +200	°C
Maximum Thermal Resistance Junction to Case, each individual diode Junction to Case, note 1	RθJC	0.9	°C/W
		0.5	

note 1 Both legs tied together

SDR998CTN&P thru SDR9911CTN&P

PRELIMINARY



SOLID STATE DEVICES, INC

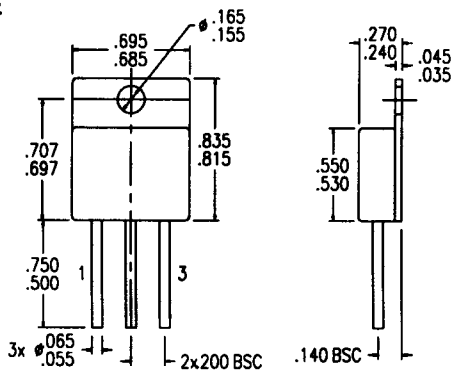
14849 Firestone Boulevard · La Mirada, CA 90638
Phone: (714) 670-SSDI (7734) · Fax: (714) 522-7424

ELECTRICAL CHARACTERISTICS (Per Leg)

CHARACTERISTICS	SYMBOL	MAXIMUM	UNIT
Instantaneous Forward Voltage Drop (IF = 25 Adc, TA=25°C, 300ms Pulse) (IF = 50 Adc, TA=25°C, 300ms Pulse)	VF	1.45 1.65	Vdc
Instantaneous Forward Voltage Drop (IF = 25 Adc, TA=100°C, 300ms Pulse) (IF = 25 Adc, TA= - 55°C, 300ms Pulse)	VF	1.35 1.55	Vdc
Reverse Leakage Current (Rated VR, TA=25°C, 300ms pulse minimum)	IR	100	µA
Reverse Leakage Current (Rated VR, TA=100°C, 300ms pulse minimum)	IR	10	mA
Junction Capacitance (VR = 10 Vdc, TA=25°C, f= 1 MHz)	CJ	150	pf
Reverse Recovery Time (IF=500mA, IR=1 A, IRR=250mA, TA=25°C)	trr	80	nsec

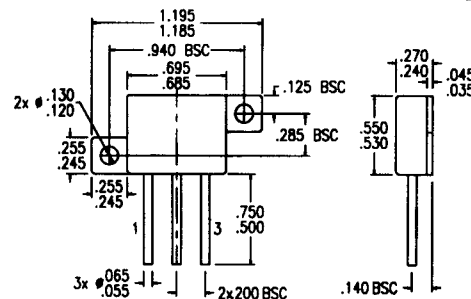
CASE OUTLINE: TO-258

PIN 1: CATHODE
PIN 2: ANODE 1
PIN 3: ANODE 2



CASE OUTLINE: TO-259

PIN 1: CATHODE
PIN 2: ANODE 1
PIN 3: ANODE 2



TYPICAL OPERATING CURVES

TA=25°C Unless otherwise specified

