

1480/1550 NM WDM/TAP COUPLER/ISOLATOR HYBRID COMBINATION

WTIH1514 Series

Features

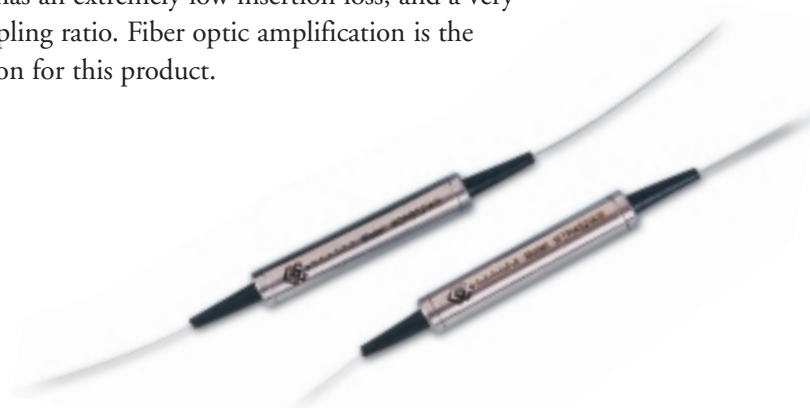
- Wide Operating Wavelength Range
- Compact Size
- High Isolation
- Ultra Low PDL & PMD
- Highly Stable & Reliable
- Epoxy-Free Optical Path

Applications

- Fiberoptic Amplifiers
- CATV Fiberoptic Links
- WDM Systems
- Fiberoptic Instruments
- Transmitters and Fiber Lasers
- Laboratory R&D

1480/1550 NM WDM/TAP COUPLER/ISOLATOR HYBRID COMBINATION

Oplink's WTIH is a combination of a wavelength division multiplexer, tap coupler and an isolator in a compact package. This product has an extremely low insertion loss, and a very stable tap-coupling ratio. Fiber optic amplification is the ideal application for this product.



Performance Specifications

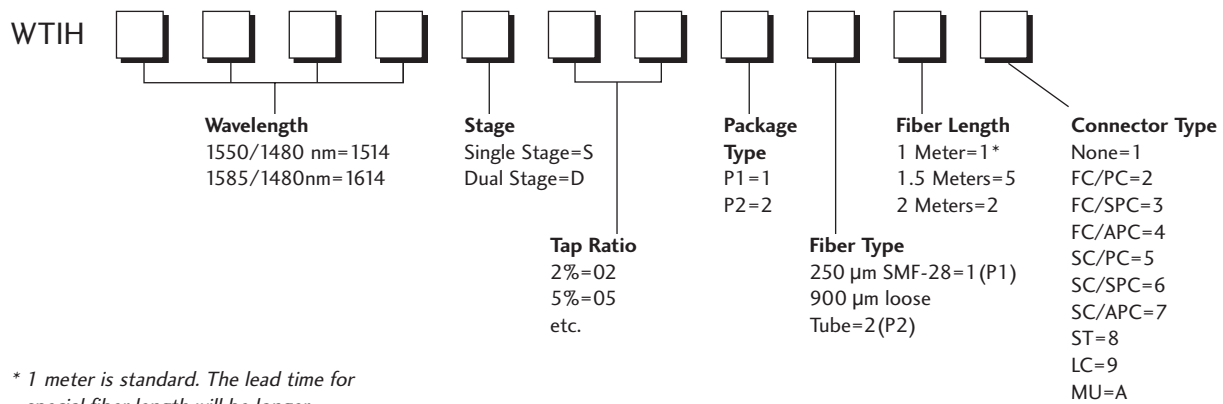
WDIH1514 Series	Single Stage	Dual Stage	Unit
Signal Operating Wavelength Range	C band: 1528 ~ 1564		nm
	L band: 1570 ~ 1605		nm
Pump Channel Wavelength Range	1450 ~ 1495		nm
Isolation (Min.) (over wavelength range 0 ~ 70°C, all SOP)	21	36	dB
Isolation (Min.) (Pump Channel @ λ signal)		15	dB
Isolation (Min.) (Signal Channel @ λ pump)		25	dB
Insertion Loss (Max.)	Pump Channel	0.6	dB
(over wavelength range and 0 to +70°C, all SOP)	Signal Channel	1.2	dB
	Nominal Tap Ratio	2% 16.2 ~ 18.0	dB
		5% 12.2 ~ 14.0	dB
WDL(Max.)	0.4	0.5	dB
Return Loss (Min.)		50	dB
PDL (Max.)		0.1	dB
PMD (Max.)	0.25	0.05	ps
Directivity (Min.)		55	dB
Maximum Power Handling		500	mW
Operation Temperature		0 to +70	°C
Storage Temperature		-40 to 85	°C
Package Dimension*		P2:(ϕ)5.5 x (L)40	mm

Values are referenced without connector loss

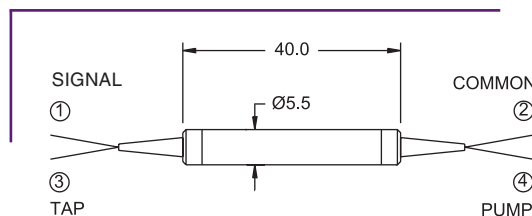
* The mechanical tolerance should be +/- 0.2 mm on all package dimensions unless otherwise custom specified.

Ordering Information

Oplink custom designs and manufactures high performance fiber optic networking components and integrated optical modules. Oplink can provide a remarkable range of customized optical solutions to meet your specific design needs. By combining our technical expertise with our extensive micro-optic manufacturing and packaging capability, your volume requirements for components and customized integrated products can be met. We are happy to discuss your requirements. Please contact Oplink's OEM Design Team or Sales Representative for ordering and price information (408) 965-7270.



Package Dimensions:



Configuration:

