

ATTENUATORS

7/16 - DIN

up to 4 GHz

250 Watts



MODELS: XT250W-XX, XT250W-XXF, XT250W-XXM

SPECIFICATIONS:

Electrical:

Frequency Range	DC - 4.0 GHz		
Standard Freq. Values	1.5, 2.5, & 4 GHz		
Standard dB Values*	3, 6, 10, 20, 30 & 40 dB		
Attenuation Accuracy	DC - 1.5 GHz	1.5 - 2.5 GHz	2.5 - 4 GHz
3 - 6 dB	±0.50 dB	±0.50 dB	±0.75 dB
10 - 40 dB	±0.75 dB	±1.0 dB	±1.5 dB
VSWR (Max.)	1.15:1	1.25:1	1.35:1
Input Power	250 Watts Avg. @ +25°C		
Peak Power	Derated Linearly to 50 Watts @ +125°C		
	5 kW Max. (5uSec Pulse, .05% Duty Cycle)		
Impedance	50 Ohms		
Operating Temp Range	-54°C to +125°C		

Mechanical:

7/16 DIN Connectors	Silver Plated or White Bronze Alloy Finished Brass
Conductors	Silver or Gold Plated Beryllium Copper or Brass
Housing	Anodized Aluminum

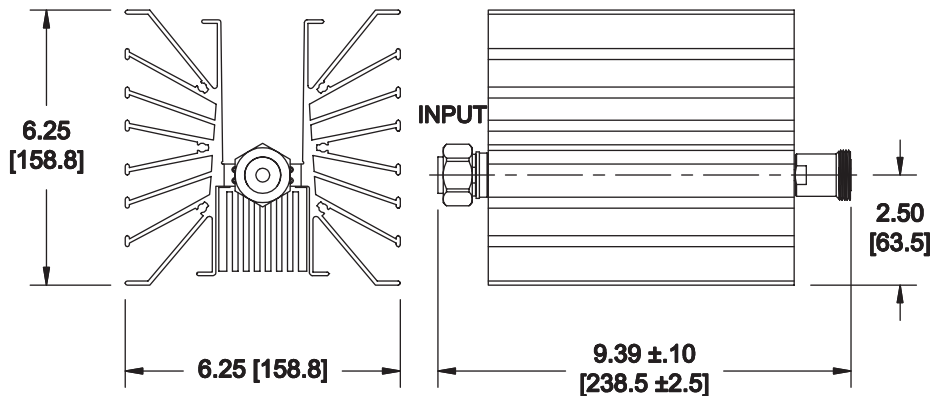
Units must be Positioned in such a way as to Allow for Free Air Flow Around fins to Assure Performance

Model Number: **XD250W-XX**
 Male/Female Connectors
 Length: 9.39 ±.10 [238.5 ±2.5]
 Pictured

Model Number: **XD250W-XXF**
 Female/Female Connectors
 Length: 9.52 ±.10 [241.8 ±2.5]

Model Number: **XD250W-XXM**
 Male/Male Connectors
 Length: 9.26 ±.10 [235.2 ±2.5]

Note: Units are Unidirectional, Therefore Input Connector MUST be Specified & will be Indicated on Unit



HOW TO ORDER:

Model Number: **XD250W-XXY**

Freq. Range
 1 = DC - 1.5 GHz
 2 = DC - 2.5 GHz
 4 = DC - 4 GHz

Connector Configuration
 = Male/Female
 F = Fem/Fem
 M = Male/Male

dB Value

Ordering Examples:

Model Number: **1D250W-6**
 DC - 1.5 GHz, 6 dB; 7/16 - DIN, Male/Fem

Model Number: **4D250W-40F**
 DC - 4 GHz, 40 dB; 7/16 - DIN, Fem/Fem

Model Number: **2D250W-30M**
 DC - 2.5 GHz, 30 dB; 7/16 - DIN, Male/Male

Note: Dimensions in Brackets are Expressed in Millimeters and are for Reference Only.
 *Other dB values available

XD250W-ATT; REV B