

ATTENUATORS

TNC

up to 4 GHz
200 Watts



MODELS: XT200W-XX, XT200W-XXF, XT200W-XXM

SPECIFICATIONS:

Electrical:

Frequency Range	DC - 4.0 GHz		
Standard Freq. Values	1.5, 2.5, & 4 GHz		
Standard dB Values*	3, 6, 10, 20, 30 & 40 dB		
Attenuation Accuracy	DC - 1.5 GHz	1.5 - 2.5 GHz	2.5 - 4 GHz
3 - 6 dB	±0.50 dB	±0.50 dB	±0.75 dB
10 - 40 dB	±0.75 dB	±1.0 dB	±1.5 dB
VSWR (Max.)	1.15:1	1.25:1	1.35:1
Input Power	200 Watts Avg. @ +25°C		
Peak Power	Derated Linearly to 40 Watts @ +125°C		5 kW Max.
	(5uSec Pulse, .05% Duty Cycle)		
Impedance	50 Ohms		
Operating Temp Range	-54°C to +125°C		

Mechanical:

TNC Connectors**	Passivated Stainless Steel
Mates with MIL-STD-348	
Conductors	Gold Plated Beryllium Copper
Housing	Anodized Aluminum

Units must be Positioned in such a way as to Allow for Free Air Flow Around fins to Assure Performance

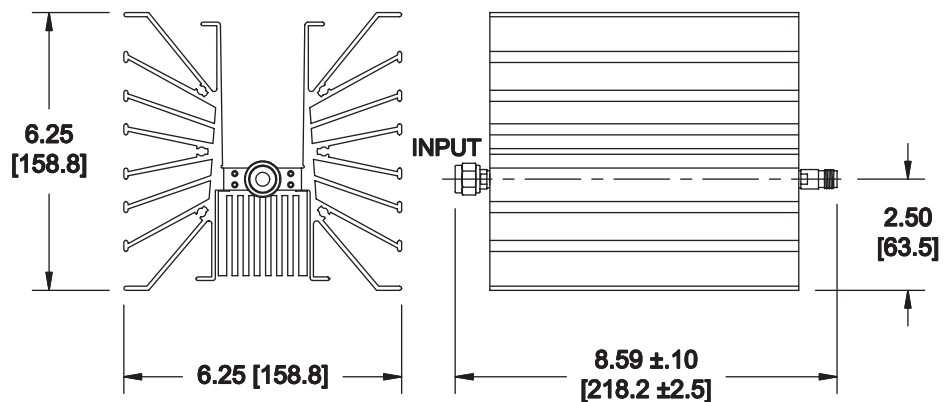
** TNC Connectors are 18 GHz Mode Free.

Model Number: **XT200W-XX**
Male/Female Connectors
Length: 8.59 ±.10 [218.2 ±2.5]
Pictured

Note: Units are Unidirectional, Therefore Input Connector MUST be Specified & will be Indicated on Unit

Model Number: **XT200W-XXF**
Female/Female Connectors
Length: 8.68 ±.10 [220.5 ±2.5]

Model Number: **XT200W-XXM**
Male/Male Connectors
Length: 8.50 ±.10 [215.9 ±2.5]



HOW TO ORDER:

Model Number: **XT200W-XXY**

Freq. Range
1 = DC - 1.5 GHz
2 = DC - 2.5 GHz
4 = DC - 4 GHz

Connector Configuration
= Male/Female
F = Fem/Fem
M = Male/Male

dB Value

Ordering Examples:

Model Number: **1T200W-10**
DC - 1.5 GHz, 10 dB; TNC - Male/Fem

Model Number: **4T200W-40F**
DC - 4 GHz, 40 dB; TNC - Fem/Fem

Model Number: **2T200W-30M**
DC - 2.5 GHz, 30 dB; TNC - Male/Male

Note: Dimensions in Brackets are Expressed in Millimeters and are for Reference Only.

*Other dB values available

XT200W-ATT; REV B