

# ATTENUATORS

7/16 - DIN

up to 4 GHz

200 Watts



MODELS: XD200W-XX, XD200W-XXF, XD200W-XXM

## SPECIFICATIONS:

### Electrical:

Frequency Range	DC - 4.0 GHz		
Standard Freq. Values	1.5, 2.5, & 4 GHz		
Standard dB Values*	3, 6, 10, 20, 30 & 40 dB		
Attenuation Accuracy	DC - 1.5 GHz	1.5 - 2.5 GHz	2.5 - 4 GHz
3 - 6 dB	±0.50 dB	±0.50 dB	±0.75 dB
10 - 40 dB	±0.75 dB	±1.0 dB	±1.5 dB
VSWR (Max.)	1.15:1	1.25:1	1.35:1
Input Power	200 Watts Avg. @ +25°C		
Peak Power	Derated Linearly to 40 Watts @ +125°C		
	5 kW Max.		
	(5uSec Pulse, .05% Duty Cycle)		
Impedance	50 Ohms		
Operating Temp Range	-54°C to +125°C		

### Mechanical:

7/16 - DIN Connectors	Silver Plated or White Bronze Alloy
	IAW DIN 47 223
	Finished Brass
Conductors	Silver or Gold Plated
	Beryllium Copper or Brass
Housing	Anodized Aluminum

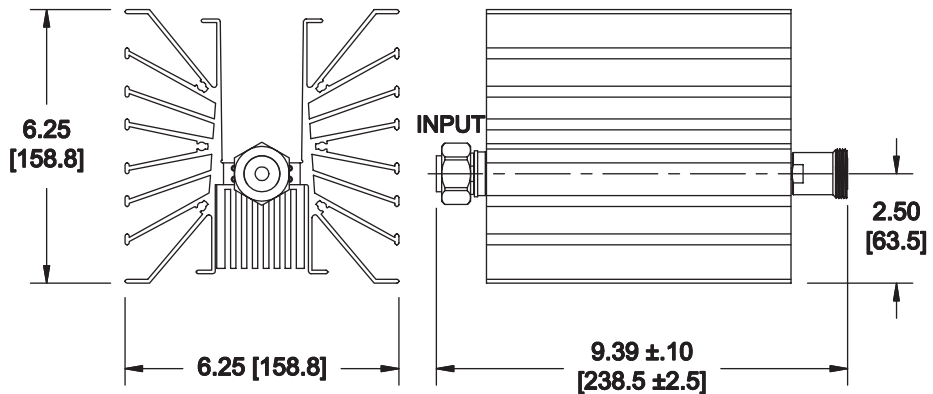
Units must be Positioned in such a way as to Allow for Free Air Flow Around fins to Assure Performance

Model Number: **XD200W-XX**  
 Male/Female Connectors  
 Length: 9.39 ±.10 [238.5 ±2.5]  
 Pictured

Note: Units are Unidirectional, Therefore Input Connector MUST be Specified & will be Indicated on Unit

Model Number: **XD200W-XXF**  
 Female/Female Connectors  
 Length: 9.52 ±.10 [241.8 ±2.5]

Model Number: **XD200W-XXM**  
 Male/Male Connectors  
 Length: 9.26 ±.10 [235.2 ±2.5]



## HOW TO ORDER:

Model Number: **XD200W-XXY**

Freq. Range  
 1 = DC - 1.5 GHz  
 2 = DC - 2.5 GHz  
 4 = DC - 4 GHz

Connector Configuration  
 = Male/Female  
 F = Fem/Fem  
 M = Male/Male

dB Value

### Ordering Examples:

Model Number: **1D200W-10**  
 DC - 1.5 GHz, 10 dB; 7/16 - DIN, Male/Fem

Model Number: **4D200W-40F**  
 DC - 4 GHz, 40 dB; 7/16 - DIN, Fem/Fem

Model Number: **2D200W-30M**  
 DC - 2.5 GHz, 30 dB; 7/16 - DIN, Male/Male

Note: Dimensions in Brackets are Expressed in Millimeters and are for Reference Only.

\*Other dB values available.

XD200W-ATT; REV B