

POLARIZATION INSENSITIVE FIBER ISOLATOR (SINGLE STAGE)

OISS Series

Features

- Wide Operating Wavelength And Temperature Range
- Low Insertion Loss
- High Isolation
- Ultra Low PDL & PMD
- Highly Stable & Reliable
- Epoxy-Free Optical Path

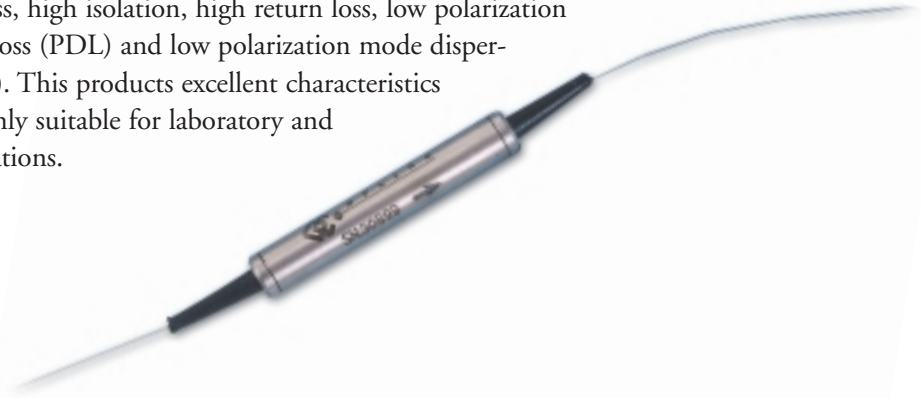
Applications

- Fiberoptic Amplifiers
- CATV Fiberoptic Links
- WDM Systems
- Fiberoptic Instruments
- Transmitters and Fiber Lasers
- Laboratory R&D

POLARIZATION INSENSITIVE FIBER ISOLATOR

Oplink's OISS is a single stage optical isolator that minimizes back reflection and back scattering in the reverse direction for any state of polarization.

The OISS is a low cost model with excellent performance including low insertion loss, high isolation, high return loss, low polarization dependent loss (PDL) and low polarization mode dispersion (PMD). This products excellent characteristics make it highly suitable for laboratory and field applications.



Performance Specifications

OISS Series	P Grade	A Grade	Unit
Operating Wavelength range	1310 ± 15		nm
	1480 ± 15		nm
	C band: 1528 ~ 1564		nm
	L band: 1570 ~ 1605		nm
1310 nm	31	29	dB
Isolation (Min.) (over operating wavelength range, 23°, all SOP)	C band: 28	26	dB
	L band: 28	26	dB
Isolation (Min.) : (over operating wavelength range, 0~70°C, all SOP)	22	21	dB
Insertion Loss (Max.) (over operating wavelength range, and at 0 to +70°C, all SOP)	0.6	0.7	dB
WDL(Max.)	0.2	0.25	dB
Return Loss (input/output ports)(Min.)	65/60	60/55	dB
PDL(Max.)	0.05	0.1	dB
PMD(Max.)	0.25	0.25	ps
Maximum Power Handling(mW)	500		mW
Operation Temperature	0 to +70		°C
Storage Temperature	-40 to +85		°C
Package Dimension*	P1:(ø)5.5 x (L)34		mm

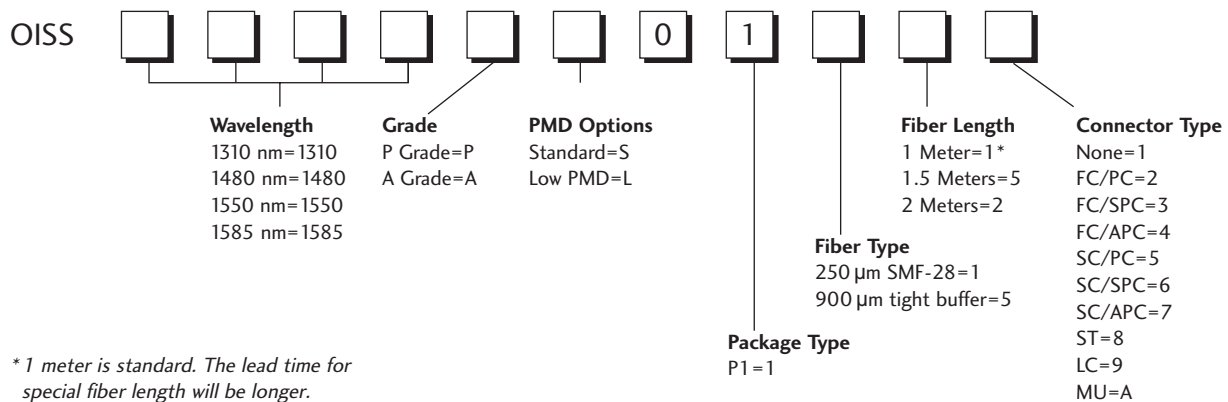
Values are referenced without connector loss

For Optional PMD<0.05 ps models, add 0.05dB IL.

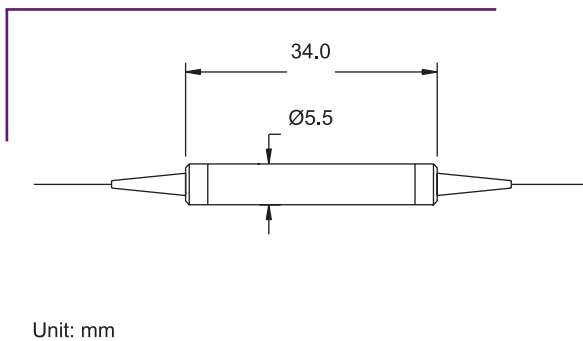
* The mechanical tolerance should be +/- 0.2 mm on all package dimensions unless otherwise custom specified.

Ordering Information

Oplink custom designs and manufactures high performance fiber optic networking components and integrated optical modules. Oplink can provide a remarkable range of customized optical solutions to meet your specific design needs. By combining our technical expertise with our extensive micro-optic manufacturing and packaging capability, your volume requirements for components and customized integrated products can be met. We are happy to discuss your requirements. Please contact Oplink's OEM Design Team or Sales Representative for ordering and price information (408) 965-7270.



Package Dimensions:



Spectral Performance:

