

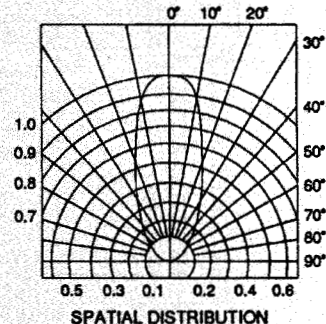
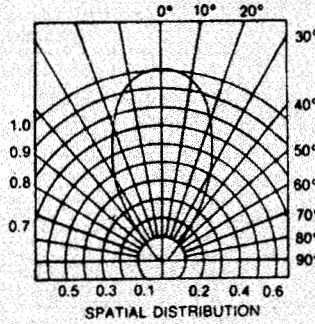
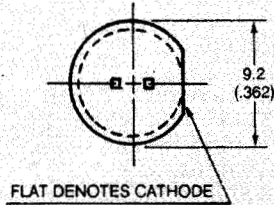
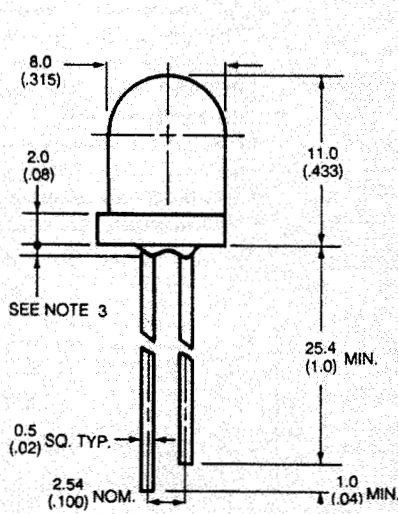
L-813XX series ...

8mm Dia LED LAMP

MAIN FEATURES :

- ⊙ 8mm DIA LED LAMP
- ⊙ STANDARD 1" LEAD
- ⊙ I.C. COMPATIBLE
- ⊙ LOW POWER CONSUMPTION

◆ PACKAGE DIMENSIONS



Notes:

1. All Dimension are in millimeter.
2. Tolerance is $\pm 0.25\text{mm}(0.010\text{'})$ unless otherwise specified.
3. Protruded resin under flange is is 1.5mm(0.59") max.
4. Lead spacing is measured where the leads emerge from the package.
5. Specification are subject to change without notice.

◆ SELECTION GUIDE AND APPLICATION INFORMATION (RATINGS AT 25°C AMBIENT)

Part No.	Chip		Lens Color	Wave Length λ (nm)	Absolute Maximum Ratings			Electro-Optical Characteristics			View Angle (deg)				
	Raw Material	Emitted Color			$\Delta \lambda$ (nm)	Pd (mW)	If (mA)	If (Peak)	Vf (V)	If (Rec)		Iv (mcd)			
								Min.	Typ.	Max.	(Min.)	Typ.			
L-813ED	GaAsP/GaP	Hi. effi Red	Red Diffused	635	45	100	30	160	1.7	2.0	2.8	10~20	8.0	20.0	60
L-813ED-E	GaAsP/GaP	Orange	Orange Dffused	635	45	100	30	160	1.7	2.0	2.8	10~20	8.0	20.0	60
L-813GD	GaP	Green	Green Diffused	565	30	100	30	160	1.7	2.1	2.8	10~20	5.0	15.0	60
L-813YD	GaAsP/GaP	Yellow	Yellow Diffused	585	30	100	30	160	1.7	2.1	2.8	10~20	5.0	15.0	60
L-813AD	GaAsP/GaP	Amber	Amber Diffused	585	30	100	30	160	1.7	2.1	2.8	10~20	5.0	15.0	60
L-813I D	GaAlAs	Hi. effi Red	Red Diffused	625	20	60	20	160	1.6	1.8	2.1	10~20	20.0	50.0	60
L-813SRD	GaAlAs	Super Red	Red Diffused	660	20	60	20	160	1.6	1.8	2.1	10~20	50.0	200	60
L-813LRD	GaAlAs	Super Red	Red Diffused	660	20	60	20	160	1.6	1.8	2.1	10~20	200	300	60
L-813URD	GaAlAs	Super Red	Red Diffused	660	20	60	20	160	1.6	1.8	2.1	10~20	300	500	60
L-813ET	GaAsP/GaP	Hi. effi Red	Red Transparent	635	45	100	30	160	1.7	2.0	2.8	10~20	20.0	50.0	40
L-813ET-E	GaAsP/GaP	Orange	Orange Transparent	635	45	100	30	160	1.7	2.0	2.8	10~20	20.0	50.0	40
L-813GT	GaP	Green	Green Transparent	565	30	100	30	160	1.7	2.1	2.8	10~20	10.0	20.0	40
L-813YT	GaAsP/GaP	Yellow	Yellow Transparent	585	30	100	30	160	1.7	2.1	2.8	10~20	10.0	20.0	40
L-813I T	GaAlAs	Hi. effi Red	Red Transparent	625	20	60	20	160	1.6	1.8	2.1	10~20	50.0	100	40
L-813SRT	GaAlAs	Super Red	Red Transparent	660	20	60	20	160	1.6	1.8	2.1	10~20	100	250	40
L-813LRT	GaAlAs	Super Red	Red Transparent	660	20	60	20	160	1.6	1.8	2.1	10~20	250	400	40
L-813URT	GaAlAs	Super Red	Red Transparent	660	20	60	20	160	1.6	1.8	2.1	10~20	400	600	40
L-813EC	GaAsP/GaP	Hi. effi Red	Water Clear	635	45	100	30	160	1.7	2.0	2.8	10~20	25.0	60.0	40
L-813GC	GaP	Green	Water Clear	565	30	100	30	160	1.7	2.1	2.8	10~20	10.0	30.0	40
L-813YC	GaAsP/GaP	Yellow	Water Clear	585	30	100	30	160	1.7	2.1	2.8	10~20	10.0	30.0	40
L-813I C	GaAlAs	Hi. effi Red	Water Clear	625	20	60	20	160	1.6	1.8	2.1	10~20	60.0	300	40
L-813SRC	GaAlAs	Super Red	Water Clear	660	20	60	20	160	1.6	1.8	2.1	10~20	300	1000	40
L-813LRC	GaAlAs	Super Red	Water Clear	660	20	60	20	160	1.6	1.8	2.1	10~20	1000	2000	40
L-813URC	GaAlAs	Super Red	Water Clear	660	20	60	20	160	1.6	1.8	2.1	10~20	2000	3000	40