

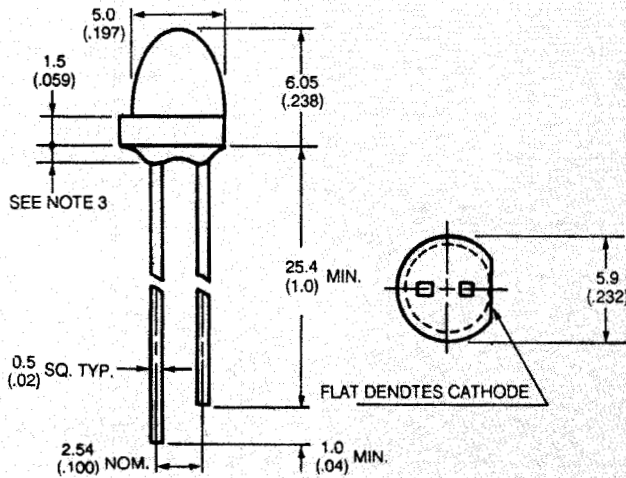
# L-593XX series ...

## 5mm Dia LOW PROFILE LED LAMP

### MAIN FEATURES :

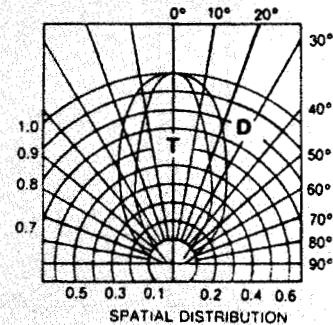
- ⊙ 5mm DIA LOW PROFILE LED LAMP
- ⊙ STANDARD 1" LEAD
- ⊙ I.C. COMPATIBLE
- ⊙ LOW POWER CONSUMPTION

### ◆ PACKAGE DIMENSIONS



### Notes:

1. All Dimension are in millimeter.
2. Tolerance is  $\pm 0.25\text{mm}(0.010\text{'})$  unless otherwise specified.
3. Protruded resin under flange is is 1.5mm(0.59") max.
4. Lead spacing is measured where the leads emerge from the package.
5. Specification are subject to change without notice.



### ◆ SELECTION GUIDE AND APPLICATION INFORMATION ( RATINGS AT 25°C AMBIENT )

Part No.	Chip		Lens Color	Wave Length $\lambda$ p(nm)	Absolute Maximum Ratings				Electro-Optical Characteristics					View Angle (deg)	
	Raw Material	Emitted Color			$\Delta\lambda$ nm	Pd mW	If mA	If (Peak)	Vf(V) Min.	Vf(V) Typ.	Vf(V) Max.	If (Rec)	Iv (mcd) Min.		Iv (mcd) Typ.
L-593HD	GaP	Bright Red	Red Diffused	700	90	45	15	50	1.7	2.1	2.8	5~10	2.0	5.0	60
L-593ED	GaAsP/GaP	Hi. effi Red	Red Diffused	635	45	100	30	160	1.7	2.0	2.8	10~20	10.0	25.0	60
L-593ED-E	GaAsP/GaP	Orange	Orange Dffused	635	45	100	30	160	1.7	2.0	2.8	10~20	10.0	25.0	60
L-593GD	GaP	Green	Green Diffused	565	30	100	30	160	1.7	2.1	2.8	10~20	5.0	20.0	60
L-593YD	GaAsP/GaP	Yellow	Yellow Diffused	585	30	100	30	160	1.7	2.1	2.8	10~20	5.0	20.0	60
L-593AD	GaAsP/GaP	Amber	Amber Diffused	585	30	100	30	160	1.7	2.1	2.8	10~20	5.0	20.0	60
L-593I D	GaAlAs	Hi. effi Red	Red Diffused	625	20	60	20	160	1.6	1.8	2.1	10~20	25.0	50.0	60
L-593SRD	GaAlAs	Super Red	Red Diffused	660	20	60	20	160	1.6	1.8	2.1	10~20	150	300	60
L-593LRD	GaAlAs	Super Red	Red Diffused	660	20	60	20	160	1.6	1.8	2.1	10~20	150	300	60
L-593URD	GaAlAs	Super Red	Red Diffused	660	20	60	20	160	1.6	1.8	2.1	10~20	300	500	60
L-593HT	GaP	Bright Red	Red Transparent	700	90	45	15	50	1.7	2.1	2.8	5~10	5.0	10.0	45
L-593ET	GaAsP/GaP	Hi. effi Red	Red Transparent	635	45	100	30	160	1.7	2.0	2.8	10~20	15.0	45.0	45
L-593ET-E	GaAsP/GaP	Orange	Orange Transparent	635	45	100	30	160	1.7	2.0	2.8	10~20	15.0	45.0	45
L-593GT	GaP	Green	Green Transparent	565	30	100	30	160	1.7	2.1	2.8	10~20	8.0	25.0	45
L-593YT	GaAsP/GaP	Yellow	Yellow Transparent	585	30	100	30	160	1.7	2.1	2.8	10~20	8.0	25.0	45
L-593AT	GaAsP/GaP	Amber	Amber Transparent	585	30	100	30	160	1.7	2.1	2.8	10~20	8.0	25.0	45
L-593I T	GaAlAs	Hi. effi Red	Red Transparent	625	20	60	20	160	1.6	1.8	2.1	10~20	45.0	100	45
L-593SRT	GaAlAs	Super Red	Red Transparent	660	20	60	20	160	1.6	1.8	2.1	10~20	100	250	45
L-593LRT	GaAlAs	Super Red	Red Transparent	660	20	60	20	160	1.6	1.8	2.1	10~20	250	400	45
L-593URT	GaAlAs	Super Red	Red Transparent	660	20	60	20	160	1.6	1.8	2.1	10~20	400	600	45
L-593HC	GaP	Bright Red	Water Clear	700	90	45	15	50	1.7	2.1	2.8	5~10	8.0	20.0	45
L-593EC	GaAsP/GaP	Hi. effi Red	Water Clear	635	45	100	30	160	1.7	2.0	2.8	10~20	20.0	60.0	45
L-593GC	GaP	Green	Water Clear	565	30	100	30	160	1.7	2.1	2.8	10~20	10.0	30.0	45
L-593YC	GaAsP/GaP	Yellow	Water Clear	585	30	100	30	160	1.7	2.1	2.8	10~20	10.0	30.0	45
L-593I C	GaAlAs	Hi. effi Red	Water Clear	625	20	60	20	160	1.6	1.8	2.1	10~20	60.0	300	45
L-593SRC	GaAlAs	Super Red	Water Clear	660	20	60	20	160	1.6	1.8	2.1	10~20	300	1000	45
L-593LRC	GaAlAs	Super Red	Water Clear	660	20	60	20	160	1.6	1.8	2.1	10~20	1000	2000	45
L-593URC	GaAlAs	Super Red	Water Clear	660	20	60	20	160	1.6	1.8	2.1	10~20	2000	3000	45