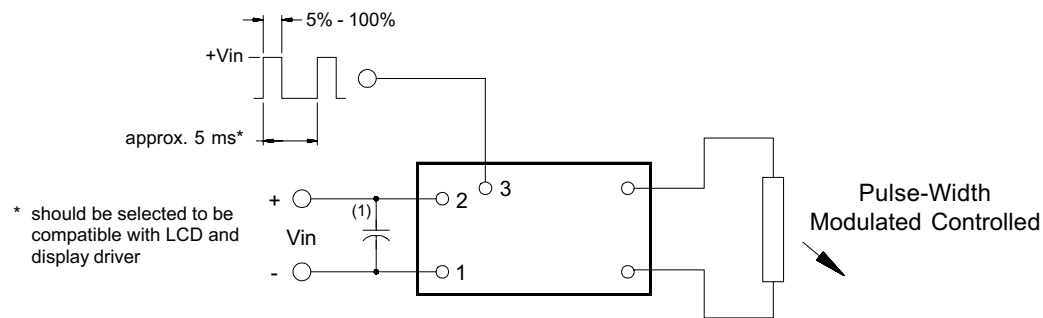


S2482

Dimming Option



* should be selected to be compatible with LCD and display driver

Note 1 Input by-pass capacitor (25 uf - 100uf) may be required to reduce reflected ripple.

Note 2 Full brightness with no control requires that pin 3 be tied to pin 2.



Endicott Research Group, Inc.
2601 Wayne St., Endicott NY 13760
607-754-9187



Endicott Research Group, Inc.
2601 Wayne St., Endicott NY 13760
607-754-9187 Fax 607-754-9255
<http://www.ergpower.com>

S2482

Specifications and Applications Information

11/14/00

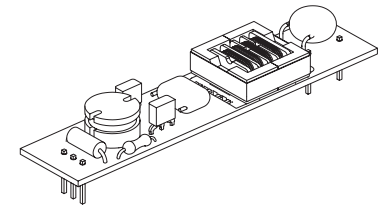
Preliminary

8m Class
DC to AC Inverter

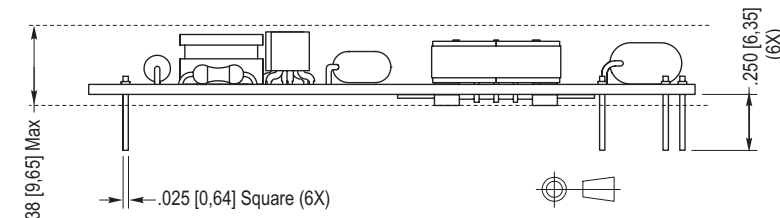
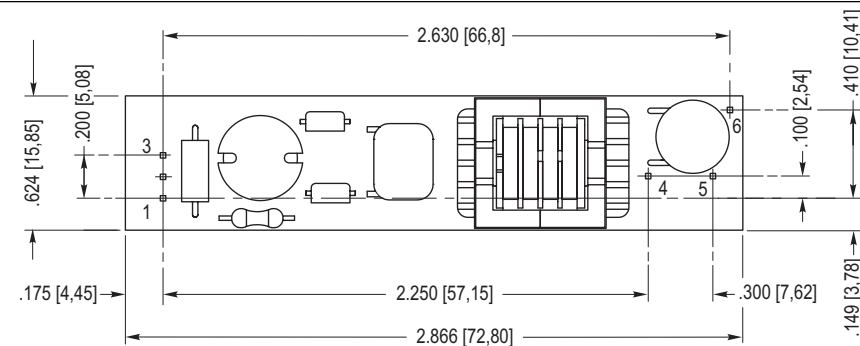
The ERG S2482 (*S-Series*) low profile dc to ac inverter is specifically designed to power the Unipac UP018D11 LCD display module to a moderate brightness level from a +5 volt dc source.

This low profile inverter features:

- ✓ LCD Module Specific
- ✓ Display Compatible Output Connector
- ✓ Firm Specifications
- ✓ Application Information
- ✓ Designed, Manufactured and Supported in the USA
- ✓ Custom Input and Output Voltages
- ✓ Flexible System Interface



S-Series



Package Configuration

1. -Vin
2. +Vin
3. Control
4. Vout
5. Vout
6. nc

S2482

Absolute Maximum Ratings

Rating	Symbol	Value	Units
Input Voltage Range	V _{in}	-0.3 to +5.5	Vdc
Operating Temperature	T _o	0 to +70	°C
Storage Temperature	T _{stg}	-40 to +85	°C

Recommended Operating Conditions

Rating	Symbol	Value	Units
Input Voltage	V _{in}	+2.5 to 5.5	Vdc

Electrical Characteristics

Unless otherwise noted V_{in} = 5.0 Volts dc and T_a = 25 °C

Characteristic	Symbol	Min	Typ	Max	Units
Input Current	I _{in}	-	.11	.13	Adc
Operating Frequency	F _o	30	35	40	KHz
Minimum Output Voltage	V _{out} (min)	800	-	-	Vrms
Efficiency	η	-	69	-	%
Output Current	I _{out}	-	2	-	marms
Output Voltage (When powering a load simulating the referenced display.)	V _{out}	-	190	-	Vrms
Pin3 Input Current Requirement	-	-	2	-	madc

After tube has been allowed to warm-up for 5 minutes.

Specifications subject to change without notice.

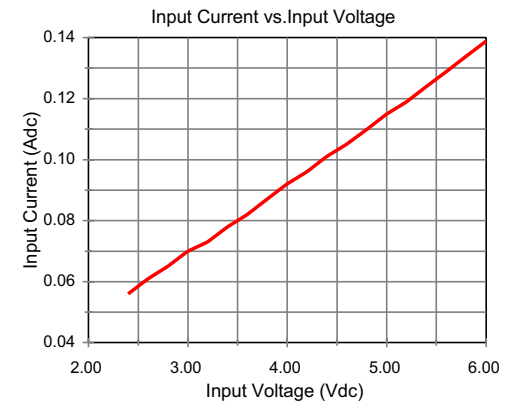
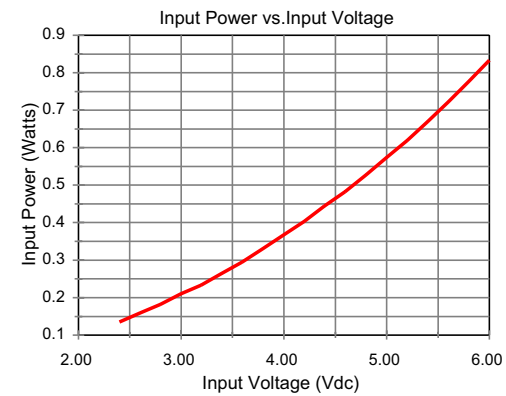
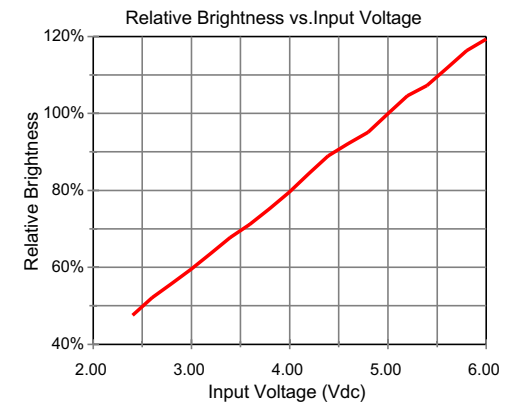
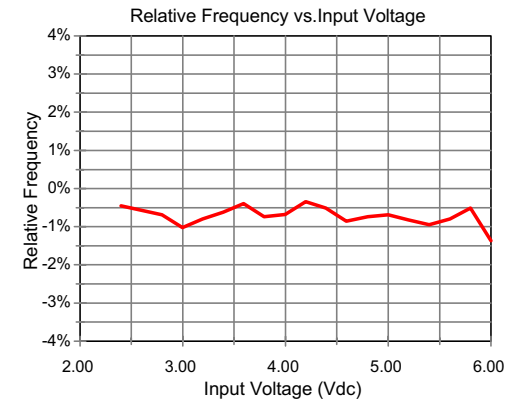


Endicott Research Group, Inc.

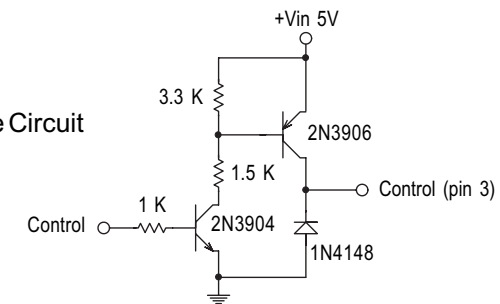
Made in USA

S2482

Typical Performance Curves



Disable Circuit



Endicott Research Group, Inc.