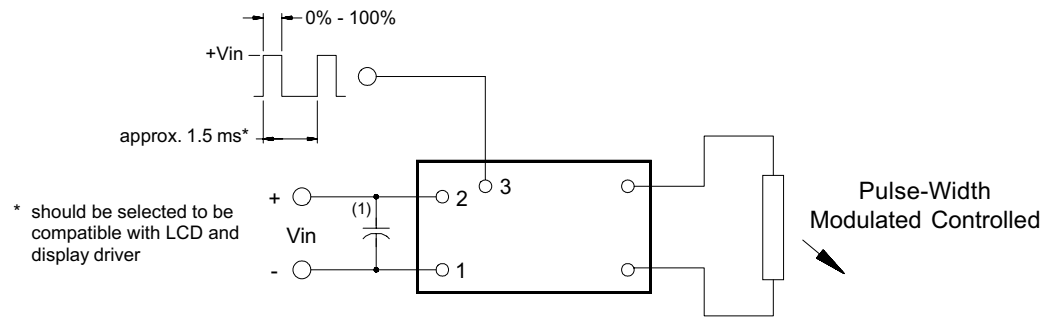


S2313

Dimming Option



\* should be selected to be compatible with LCD and display driver

Note 1 Input by-pass capacitor (25 uf - 100uf) may be required to reduce reflected ripple.

Note 2 Full brightness with no control requires that pin 3 be tied to pin 2.



**Endicott Research Group, Inc.**  
 2601 Wayne St., Endicott NY 13760  
 607-754-9187



**Endicott Research Group, Inc.**  
 2601 Wayne St., Endicott NY 13760  
 607-754-9187 Fax 607-754-9255  
<http://www.ergpower.com>

S2313

Specifications and Applications Information

11/11/99

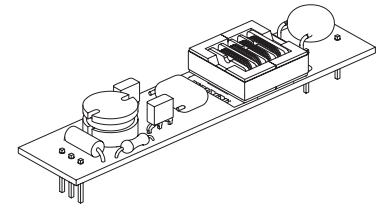
Preliminary

8m Class  
 DC to AC Inverter

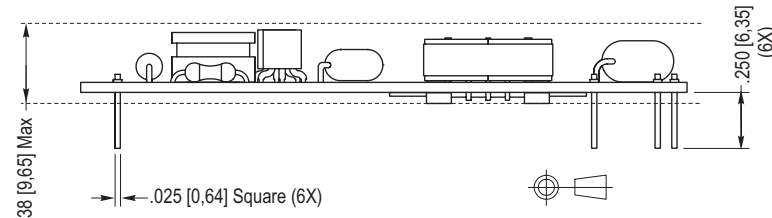
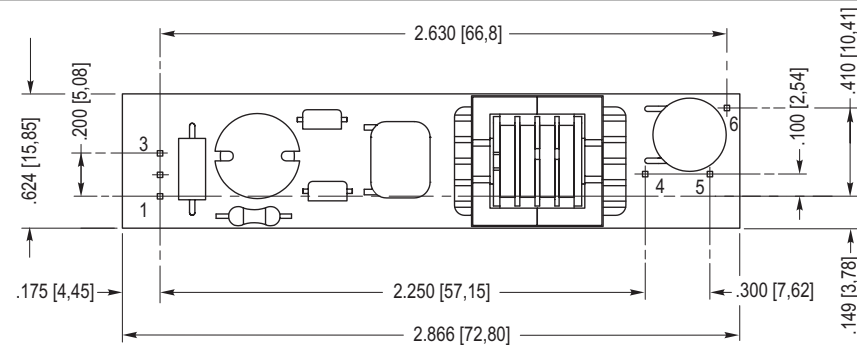
The ERG S2313 (*S-Series*) low profile dc to ac inverter is specifically designed to power the Nanya LTBE9-S159-JK LCD display module to a moderate brightness level from a +12 volt dc source.

This low profile inverter features:

- ✓ LCD Module Specific
- ✓ Display Compatible Output Connector
- ✓ Firm Specifications
- ✓ Application Information
- ✓ Designed, Manufactured and Supported in the USA
- ✓ Custom Input and Output Voltages
- ✓ Flexible System Interface



S-Series



1. -Vin
2. +Vin
3. Control
4. Vout
5. Vout
6. nc

Package Configuration

**Absolute Maximum Ratings**

Rating	Symbol	Value	Units
Input Voltage Range	$V_{in}$	-0.3 to +13.2	Vdc
Operating Temperature	$T_o$	0 to +70	°C
Storage Temperature	$T_{stg}$	-40 to +85	°C

**Recommended Operating Conditions**

Rating	Symbol	Value	Units
Input Voltage	$V_{in}$	+6.0 to 13.2	Vdc

**Electrical Characteristics**

Unless otherwise noted  $V_{in} = 12.00$  Volts dc and  $T_a = 25$  °C

Characteristic	Symbol	Min	Typ	Max	Units
Input Current	$I_{in}$	-	0.155	0.180	A <sub>dc</sub>
Operating Frequency	$F_o$	32	37	42	KHz
Minimum Output Voltage	$V_{out (min)}$	1000	-	-	V <sub>rms</sub>
Efficiency	$\eta$	-	77	-	%
Output Current	$I_{out}$	-	5.1	-	mA <sub>rms</sub>
Output Voltage (When Powering a Nanya LTBE9-S159-JK display)	$V_{out}$	-	280	-	V <sub>rms</sub>

After tube has been allowed to warm-up for 5 minutes.

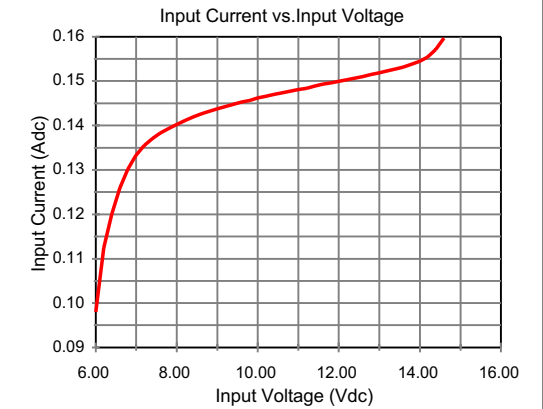
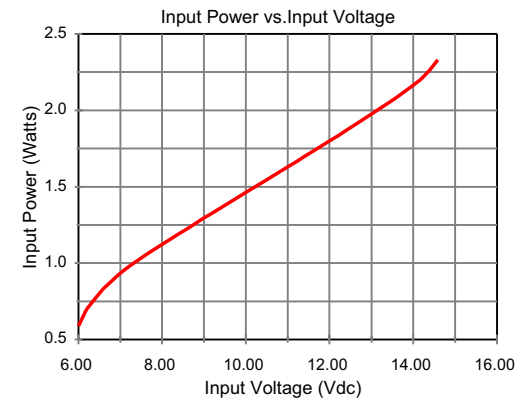
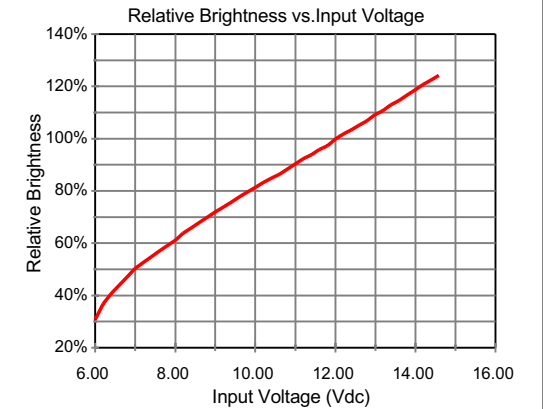
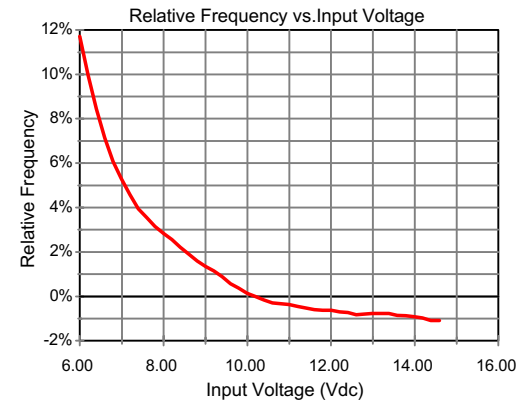
Specifications subject to change without notice.



Endicott Research Group, Inc.

Made in USA

**Typical Performance Curves**



Endicott Research Group, Inc.