

- Complies with SCSI, SCSI-2 and SPI-2 Standards
- 6-pF Channel Capacitance during Disconnect
- 100- μ A Supply Current in Disconnect Mode
- Meets SCSI Hot Plugging
- -400-mA Sourcing Current for Termination
- +400-mA Sinking Current for Active Negation Drivers
- Logic Command Disconnects all Termination Lines
- Trimmed Termination Current to 3%
- Trimmed Impedance to 3%
- Negative Clamping on all Signal Lines
- Current Limit and Thermal Shutdown Protection

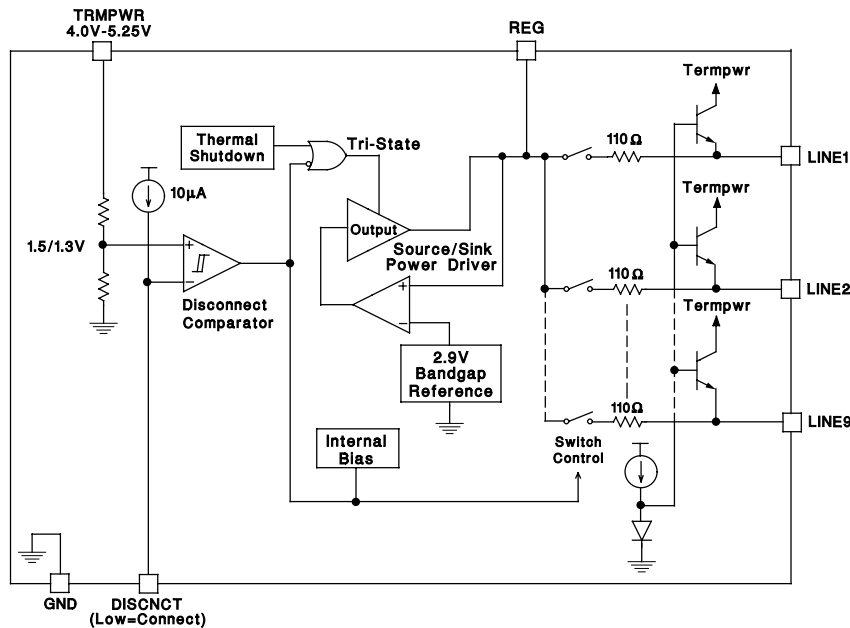
description

The UC5603 provides 9 lines of active termination for a SCSI (Small Computers Systems Interface) parallel bus. The SCSI standard recommends active termination at both ends of the cable segment.

The UC5603 provides a disconnect feature which, when opened or driven high, will disconnect all terminating resistors, and disables the regulator; greatly reducing standby power. The output channels remain high impedance even without Tempwr applied. A low channel capacitance of 6 pF allows units at interim points of the bus to have little to no effect on the signal integrity.

Functionally the UC5603 is similar to its predecessor, the UC5601 – 18 line Active Terminator. Several electrical enhancements were incorporated in the UC5603, such as a sink/source regulator output stage to accommodate all signal lines at 5 V, while the regulator remains at its nominal value, reduced channel capacitance to 6 pF typical, and as with the UC5601, custom power packages are utilized to allow normal operation at full power conditions (1.2 watts).

functional block diagram



UDG-94049



Please be aware that an important notice concerning availability, standard warranty, and use in critical applications of Texas Instruments semiconductor products and disclaimers thereto appears at the end of this data sheet.

PRODUCTION DATA information is current as of publication date. Products conform to specifications per the terms of Texas Instruments standard warranty. Production processing does not necessarily include testing of all parameters.



UC5603

9-LINE SCSI ACTIVE TERMINATOR

SLUS195A – MARCH 1997 – REVISED OCTOBER 2000

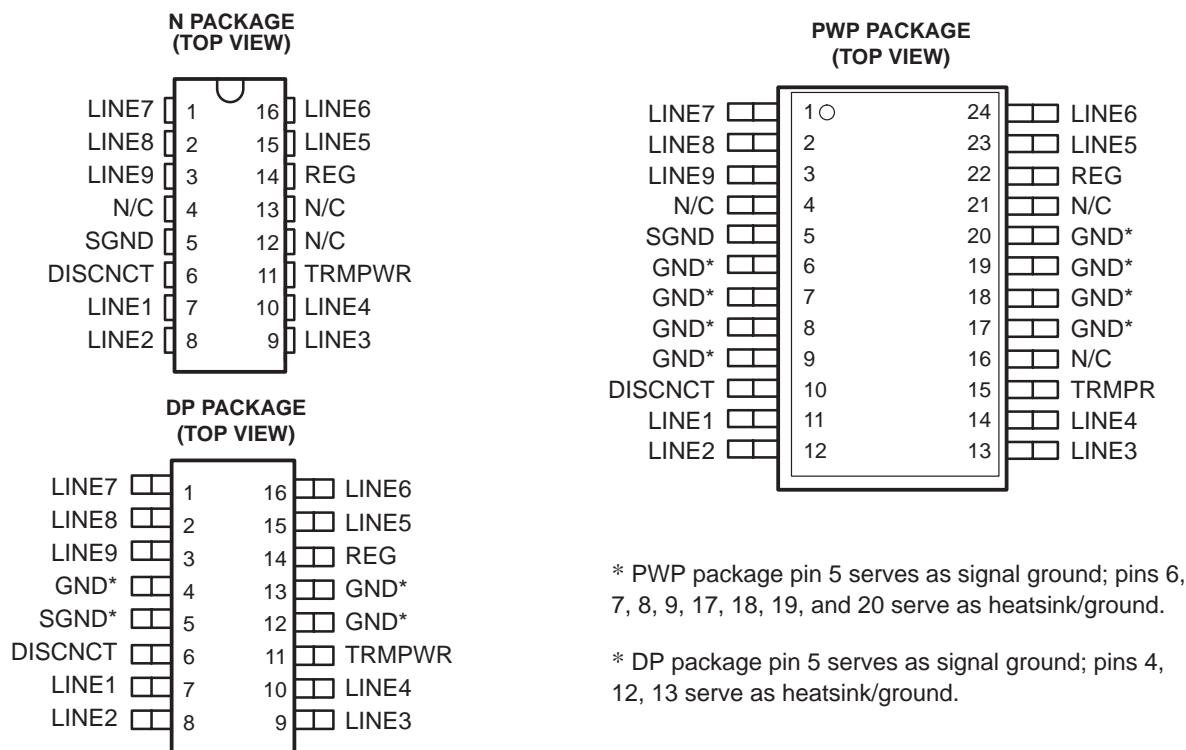
description (continued)

Internal circuit trimming is utilized, first to trim the impedance to a 3% tolerance, and then most importantly, to trim the output current to a 3% tolerance, as close to the max SCSI spec as possible, which maximizes noise margin in fast SCSI operation.

Other features include negative clamping on all signal lines to protect external circuitry from latch-up, thermal shutdown and current limit.

This device is offered in low thermal resistance versions of the industry standard 16 pin narrow body SOIC, and 24 pin TSSOP.

connection diagrams



ORDERING INFORMATION

T _A = T _J	Packaged Devices		
	DIL -16(N)	SOIC-16 (DP)	TSSOP-24 (PWP)
0°C to 70°C	UC5603N	UCUC5603DP	UCUC5603PWP

† DP (SOIC-16) and PWP (TSSOP-24) packages are available taped and reeled. Add TR suffix to device type (e.g. UC5603PWPTR) to order quantities of 2000 devices per reel.

absolute maximum ratings over operating free-air temperature (unless otherwise noted)†

Tempwr voltage	7 V
Signal line voltage	0V to 7 V
Regulator output current	0.5 A
Storage temperature	–65°C to 150°C
Operating temperature	–55°C to 150°C
Lead temperature (soldering, 10 sec.)	300°C

† Stresses beyond those listed under “absolute maximum ratings” may cause permanent damage to the device. These are stress ratings only, and functional operation of the device at these or any other conditions beyond those indicated under “recommended operating conditions” is not implied. Exposure to absolute-maximum-rated conditions for extended periods may affect device reliability.

‡ Unless otherwise specified all voltages are with respect to Ground. Currents are positive into, negative out of the specified terminal. Consult Packaging Section of Unitrode Integrated Circuits databook for thermal limitations and considerations of packages.

recommended operating conditions

Tempwr voltage	3.8 V to 5.25 V
Signal line voltage	0 V to 5 V
Disconnect input voltage	0 V to Tempwr

electrical characteristics, these specifications apply for $T_A = 0^\circ\text{C}$ to 70°C . TRMPWR = 4.75 V DISCNCT = 0 V, $T_A = T_J$, (unless otherwise stated)

supply current section

PARAMETER	TEST CONDITIONS	MIN	TYP	MAX	UNITS
Tempwr supply current	All termination lines = Open		12	18	mA
	All termination lines = 0.5 V		200	220	mA
Power down mode	DISCNCT = Open		100	150	μA

output section (terminator lines)

PARAMETER	TEST CONDITIONS	MIN	TYP	MAX	UNITS		
Terminator impedance	$\Delta I_{\text{LINE}} = -5 \text{ mA to } -15 \text{ mA}$	107	110	113	Ω		
Output high voltage	$V_{\text{TRMPWR}} = 4 \text{ V}$, See Note 1	2.7	2.9		V		
Max output current	$V_{\text{LINE}} = 0.5 \text{ V}$	$T_J = 25^\circ\text{C}$	-21.1	-21.9	-22.4	mA	
		$0^\circ\text{C} < T_J < 70^\circ\text{C}$	-20.5	-21.9	-22.4	mA	
Max output current	$V_{\text{LINE}} = 0.5 \text{ V}$, See Note 1	TRMPWR = 4 V,	$T_J = 25^\circ\text{C}$	-20.3	-21.9	-22.4	mA
			$0^\circ\text{C} < T_J < 70^\circ\text{C}$	-19.8	-21.9	-22.4	mA
	$V_{\text{LINE}} = 0.2 \text{ V}$,	TRMPWR = 4.0 V to 5.25 V	$0^\circ\text{C} < T_J < 70^\circ\text{C}$	-22.0	-24.0	-25.4	mA
Output clamp level	$I_{\text{LINE}} = -30 \text{ mA}$	-0.2	-0.05	0.1	V		
Output leakage	DISCNCT = 4 V	TRMPWR = 0 V to 5.25 V, VREG = 0 V	$V_{\text{LINE}} = 0 \text{ to } 4 \text{ V}$	10	400	nA	
			$V_{\text{LINE}} = 5.25 \text{ V}$		100	μA	
		TRMPWR = 0 V to 5.25 V, $V_{\text{LINE}} = 0 \text{ V to } 5.25 \text{ V}$	REG = Open	10	400	nA	
Output capacitance	DISCNCT = Open	See Note 2	DP Package	6	8	pF	

NOTES: 1. Measuring each termination line while other 8 are low (0.5 V).
2. Ensured by design. Not production tested.

UC5603 9-LINE SCSI ACTIVE TERMINATOR

SLUS195A – MARCH 1997 – REVISED OCTOBER 2000

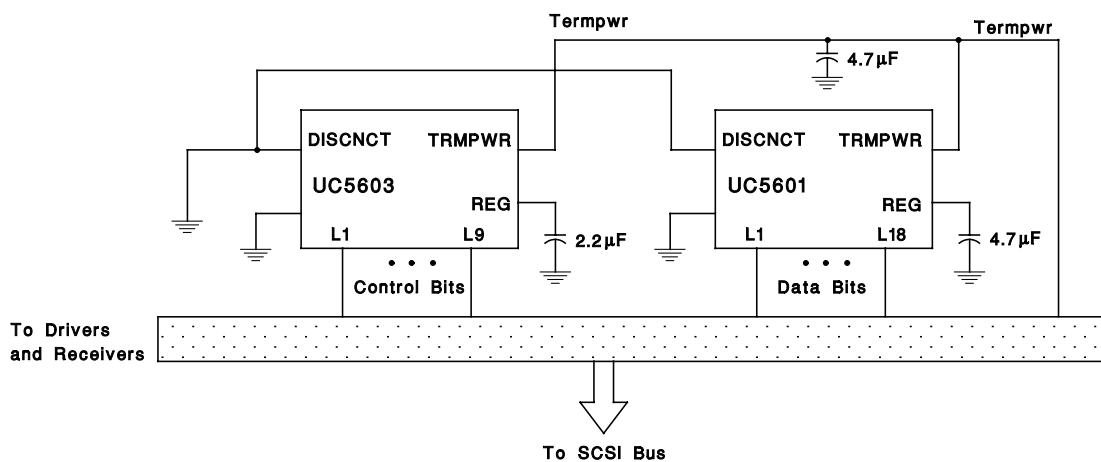
regulator section

PARAMETER	TEST CONDITIONS	MIN	TYP	MAX	UNITS
Regulator output voltage		2.8	2.9	3	V
Regulator output voltage	All termination lines = 5 V	2.8	2.9	3	V
Line regulation	TRMPWR = 4 V to 6 V		10	20	mV
Load regulation	I _{REG} = 100 mA to -100 mA		20	50	mV
Drop out voltage	All termination lines = 0.5 V		0.7	1	V
Short circuit current	V _{REG} = 0 V	-200	-400	-600	mA
Sinking current capability	V _{REG} = 3.5 V	200	400	600	mA
Thermal shutdown			170		°C
Thermal shutdown hysteresis			10		°C

disconnect section

PARAMETER	TEST CONDITIONS	MIN	TYP	MAX	UNITS
Disconnect threshold		1.3	1.5	1.7	V
Threshold hysteresis		100	160	250	mV
Input current	DISCNECT = 0 V		10	15	mA

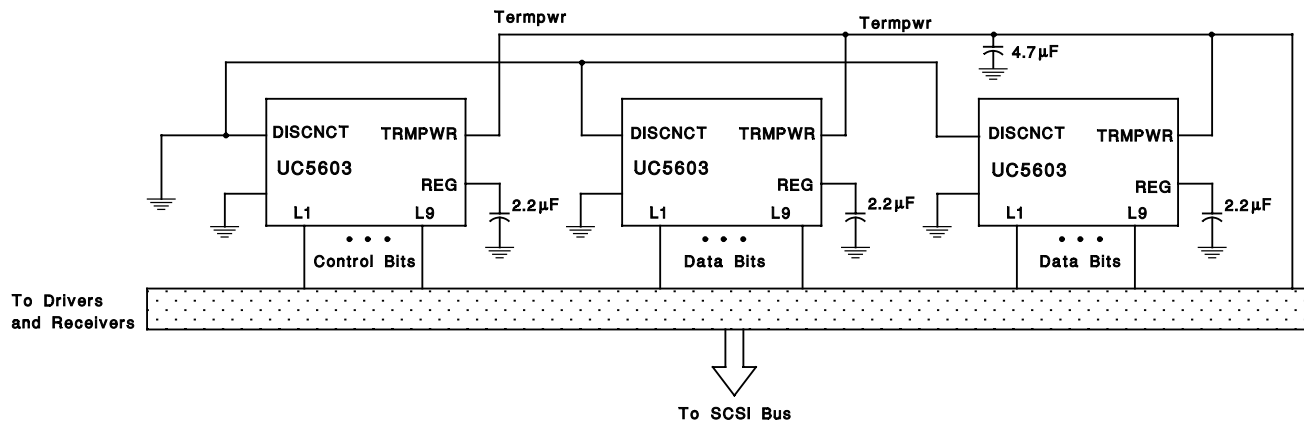
APPLICATION INFORMATION



UDG-94050

Figure 1. Typical Wide SCSI Bus Configurations Utilizing 1 UC5601 and 1 UC5603 Device

APPLICATION INFORMATION



UDG-94051

Figure 2. Typical Wide SCSI Bus Configurations Utilizing 3 UC5603 Devices

IMPORTANT NOTICE

Texas Instruments and its subsidiaries (TI) reserve the right to make changes to their products or to discontinue any product or service without notice, and advise customers to obtain the latest version of relevant information to verify, before placing orders, that information being relied on is current and complete. All products are sold subject to the terms and conditions of sale supplied at the time of order acknowledgment, including those pertaining to warranty, patent infringement, and limitation of liability.

TI warrants performance of its semiconductor products to the specifications applicable at the time of sale in accordance with TI's standard warranty. Testing and other quality control techniques are utilized to the extent TI deems necessary to support this warranty. Specific testing of all parameters of each device is not necessarily performed, except those mandated by government requirements.

Customers are responsible for their applications using TI components.

In order to minimize risks associated with the customer's applications, adequate design and operating safeguards must be provided by the customer to minimize inherent or procedural hazards.

TI assumes no liability for applications assistance or customer product design. TI does not warrant or represent that any license, either express or implied, is granted under any patent right, copyright, mask work right, or other intellectual property right of TI covering or relating to any combination, machine, or process in which such semiconductor products or services might be or are used. TI's publication of information regarding any third party's products or services does not constitute TI's approval, warranty or endorsement thereof.