

# WDM/Isolator Hybrid

## WDIH-59 Series 980/1550 nm



### Features

- Wide Operating Wavelength And Temperature Range
- Low Insertion Loss
- High Isolation
- Ultra Low PDL & PMD
- High Stable and Reliable
- Epoxy-Free Optical Path

### Applications

- Fiberoptic Amplifiers
- CATV Fiberoptic Links
- WDM Systems
- Fiberoptic Instruments
- Transmitters and Fiber Lasers
- Laboratory R&D

OPLINK's WDIH is a combination of a 980/1550nm filter and a 1550nm polarization insensitive optical isolator. It is a low cost model with excellent performance such as low insertion loss, high isolation, high return loss, low polarization dependent loss(PDL), and low polarization mode dispersion(PMD). It offers integrated solutions to EDFA applications by combining more functions into a very compact package.

### Performance Specifications

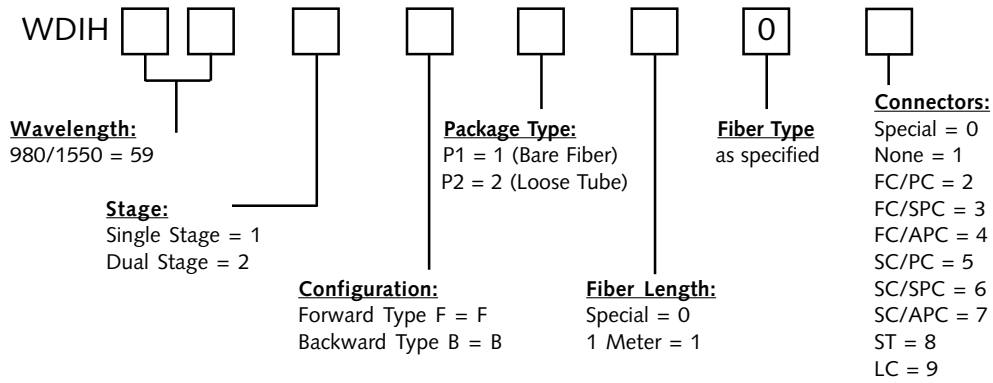
WDIH-59 Series (Type F and Type B) *		Single Stage	Dual Stage
Signal Channel Wavelength Range (nm)		1530 - 1565	
Pump Channel Wavelength Range (nm)		950 -1050	
Insertion Loss (dB) (over all wavelength range, 0 to +70°C, all SOP)	Pump Channel	≤ 0.6	
	Signal Channel	≤ 0.8	≤ 1.0
Insertion Loss Variation (dB) (over all wavelength range & all SOP)	Pump Channel	≤ 0.2	
	Signal Channel	≤ 0.4	
Channel Isolation (dB) (over wavelength 1535-1565nm & at 23°C, all SOP)		≥ 31	≥45
Return Loss (dB)		≥ 55	
Polarization Dependent Loss (PDL) (dB)		≤ 0.1	≤0.2
Polarization Mode Dispersion (PMD) (ps)		≤ 0.25	≤0.05
Directivity (dB)		≥ 55	
Maximum Power Handling (mW)		300	
Fiber Pigtail	1m Corning Flexcor 1060 fiber at common/pump port		
	1m Corning SMF-28 fiber at input or output port		
Operating Temperature (°C)		0 to + 70	
Storage Temperature (°C)		- 40 to + 85	
Package Dimension (mm)		P1: (φ)5.5 x (L)34	
		P2: (φ)5.5 x (L)40	

Values are referenced without connector loss

\* Type F device, is designed for forward pump. Type B device, is backward pump type.

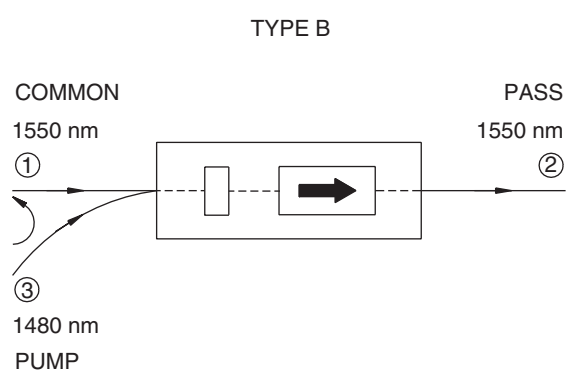
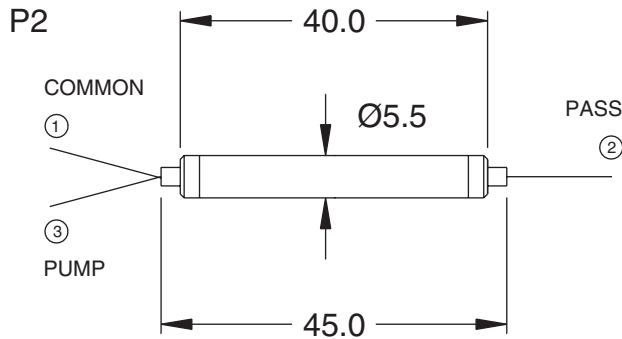
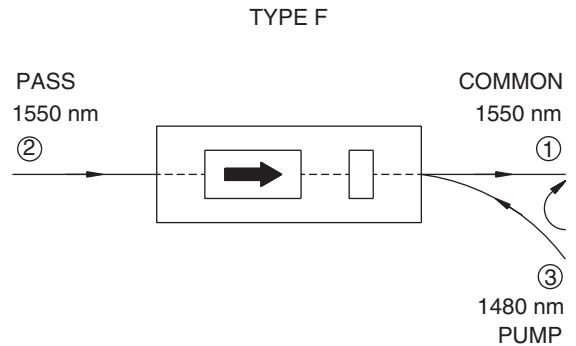
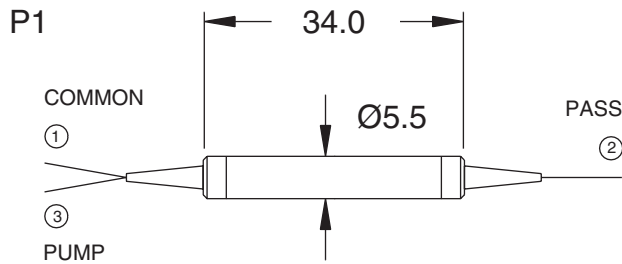
## Ordering Information

Standard Oplink WDIH are specified below with appropriate part number options. If you require devices different than these standard devices, please contact our local Oplink Distributor, Sales Representative, or Factory Customer Service for ordering and price information.



## Package Dimensions:

## Configurations:



Unit: mm

OPLINK Communications, Inc. 3475 North First St. San Jose, CA 95134-1803

Tel: (408) 433-0606 Fax: (408) 433-0608 Email: Sales@Oplink.com

