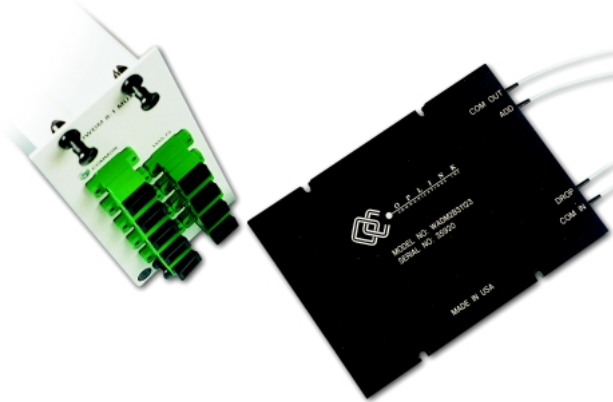




100 GHz Optical ADD and DROP Multiplexer

OADM-1B Series (2x2)



Features

- 100 GHz Channel Spacing
- High Channel Isolation
- Low Insertion Loss
- Highly Stable & Reliable
- Epoxy-Free Optical Path
- Low Profile Packaging

Applications

- Dense WDM Systems
- CATV fiberoptic Links
- Fiber Amplifier System

OPLINK wavelength division Add and Drop multiplexer (OADM) is based on thin-film filter technology and metal bonding micro optics packaging. This module offers narrow channel bandwidth, flexible channel configuration, low insertion loss and high isolation. The OADM1B module is used to add and drop a particular wavelength and is ideal for telecommunications and network. All OPLINK products are epoxy-free in the optical path. It is used in high-power applications in DWDM systems. OPLINK OADM devices are Bellcore GR -1221 qualification tested.

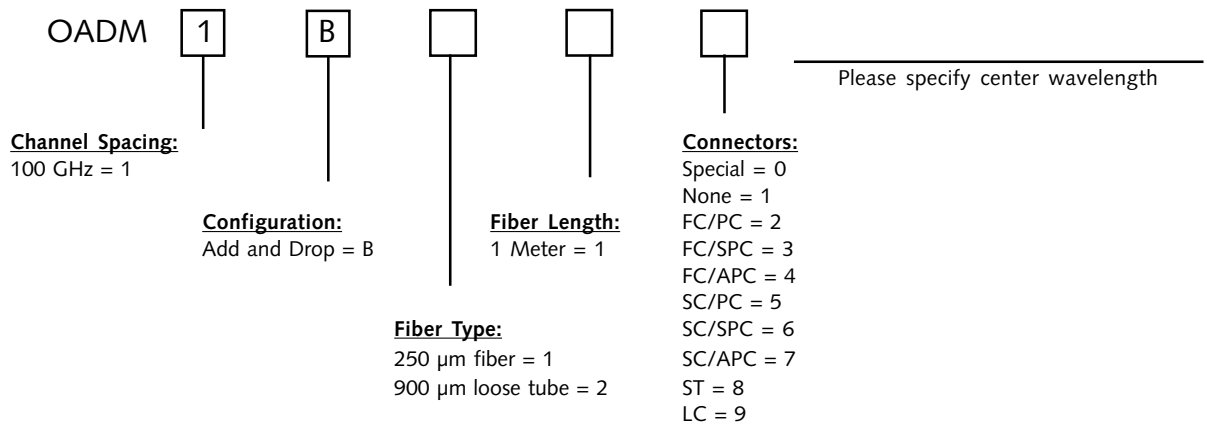
Performance Specifications

OADM-1B Series	ADD channel	DROP channel
Center Wavelength λ_c (nm)	1550 nm Window, ITU 100 GHz Grid	
Center Wavelength Accuracy (nm)	$\leq \pm 0.1$	
Channel Spacing (GHz)	100 (0.8 nm)	
Channel Passband (-0.5 dB Bandwidth)(nm)	≥ 0.22	
Add/drop Channel Insertion Loss (dB)	≤ 1.8	
Express Channel Insertion Loss (dB)	≤ 0.7	
Add/Drop Channel Ripple (dB)	≤ 0.3	
Adjacent Ch. Isolation @ Add/drop path (dB)	≥ 10	≥ 25
Non-adjacent Ch. Isolation @ Add/drop path (dB)	≥ 10	≥ 35
Express Channel Isolation (dB)	≥ 20	
Insertion Loss Temperature Sensitivity(dB/°C)	≤ 0.005	
Wavelength Temperature Sensitivity(nm/°C)	≤ 0.001	
Directivity (dB)	≥ 45	
Return Loss (dB)	≥ 45	
Polarization Dependent Loss (PDL) (dB)	≤ 0.2	
Polarization Mode Dispersion (ps)	≤ 0.1	
Maximum Power Handling (mW)	300	
Maximum Tensile Load (N)	5	
Operating Temperature (°C)	0 to +65	
Storage Temperature (°C)	-40 to +85	
Package Dimension (mm)	(L) 125 x (W) 90 x (H) 8	

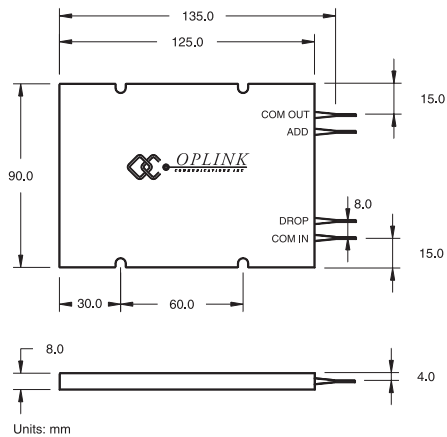
Values are referenced without connector loss.

Ordering Information

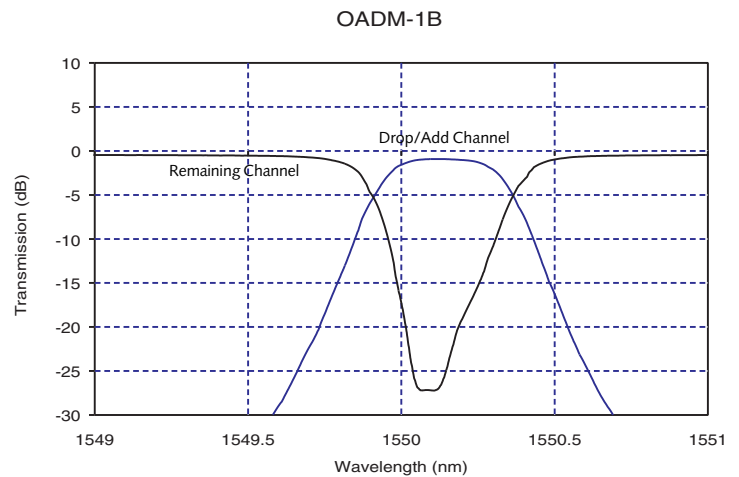
Standard Oplink Wavelength Division Add and Drop Multiplexers are specified below with appropriate part number options. If you require devices different than these standard devices, please contact our local Oplink Distributor, Sales Representative, or Factory Customer Service for ordering and price information.



Package Dimensions:



Spectra:



OPLINK Communications, Inc. 3475 North First St. San Jose, CA 95134-1803

Tel:(408)433-0606 Fax:(408)433-0608 Email: Sales@Oplink.com

