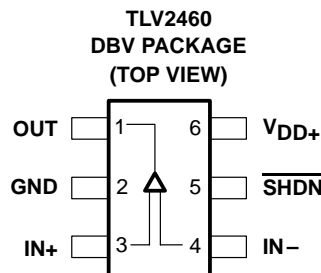


# TLV2460, TLV2461, TLV2462, TLV2463, TLV2464, TLV2465, TLV246xA FAMILY OF LOW-POWER RAIL-TO-RAIL INPUT/OUTPUT OPERATIONAL AMPLIFIERS WITH SHUTDOWN

SLOS220I – JULY 1998 – REVISED MARCH 2001

- Rail-to-Rail Output Swing
- Gain Bandwidth Product . . . 6.4 MHz
- $\pm 80$  mA Output Drive Capability
- Supply Current . . . 500  $\mu$ A/channel
- Input Offset Voltage . . . 100  $\mu$ V
- Input Noise Voltage . . . 11 nV/ $\sqrt{\text{Hz}}$
- Slew Rate . . . 1.6 V/ $\mu$ s
- Micropower Shutdown Mode (TLV2460/3/5) . . . 0.3  $\mu$ A/Channel
- Universal Operational Amplifier EVM
- Available in Q-Temp Automotive HighRel Automotive Applications Configuration Control/Print Support Qualification to Automotive Standards



## description

The TLV246x is a family of low-power rail-to-rail input/output operational amplifiers specifically designed for portable applications. The input common-mode voltage range extends beyond the supply rails for maximum dynamic range in low-voltage systems. The amplifier output has rail-to-rail performance with high-output-drive capability, solving one of the limitations of older rail-to-rail input/output operational amplifiers. This rail-to-rail dynamic range and high output drive make the TLV246x ideal for buffering analog-to-digital converters.

The operational amplifier has 6.4 MHz of bandwidth and 1.6 V/ $\mu$ s of slew rate with only 500  $\mu$ A of supply current, providing good ac performance with low power consumption. Three members of the family offer a shutdown terminal, which places the amplifier in an ultralow supply current mode ( $I_{DD} = 0.3 \mu\text{A}/\text{ch}$ ). While in shutdown, the operational-amplifier output is placed in a high-impedance state. DC applications are also well served with an input noise voltage of 11 nV/ $\sqrt{\text{Hz}}$  and input offset voltage of 100  $\mu$ V.

This family is available in the low-profile SOT23, MSOP, and TSSOP packages. The TLV2460 is the first rail-to-rail input/output operational amplifier with shutdown available in the 6-pin SOT23, making it perfect for high-density circuits. The family is specified over an expanded temperature range ( $T_A = -40^\circ\text{C}$  to  $125^\circ\text{C}$ ) for use in industrial control and automotive systems, and over the military temperature range ( $T_A = -55^\circ\text{C}$  to  $125^\circ\text{C}$ ) for use in military systems.

## SELECTION GUIDE

| DEVICE     | V <sub>DD</sub> [V] | V <sub>IO</sub> [ $\mu$ V] | I <sub>DD/ch</sub> [ $\mu$ A] | I <sub>IB</sub> [pA] | GBW [MHz] | SLEW RATE [V/ $\mu$ s] | V <sub>n</sub> , 1 kHz [nV/ $\sqrt{\text{Hz}}$ ] | I <sub>O</sub> [mA] | SHUTDOWN | RAIL-RAIL |
|------------|---------------------|----------------------------|-------------------------------|----------------------|-----------|------------------------|--|---------------------|----------|-----------|
| TLV246x(A) | 2.7–6               | 150                        | 550                           | 1300                 | 6.4       | 1.6                    | 11   | 25                  | Y        | I/O       |
| TLV277x(A) | 2.5–5.5             | 360                        | 1000                          | 2                    | 5.1       | 10.5                   | 17   | 6                   | Y        | O         |
| TLV247x(A) | 2.7–6               | 250                        | 600                           | 2.5                  | 2.8       | 1.5                    | 15   | 20                  | Y        | I/O       |
| TLV245x(A) | 2.7–6               | 20                         | 23                            | 500                  | 0.22      | 0.11                   | 52   | 10                  | Y        | I/O       |
| TLV225x(A) | 2.7–8               | 200                        | 35                            | 1                    | 0.2       | 0.12                   | 19   | 3                   | —        | —         |
| TLV226x(A) | 2.7–8               | 300                        | 200                           | 1                    | 0.71      | 0.55                   | 12   | 3                   | —        | —         |



Please be aware that an important notice concerning availability, standard warranty, and use in critical applications of Texas Instruments semiconductor products and disclaimers thereto appears at the end of this data sheet.

PRODUCTION DATA information is current as of publication date. Products conform to specifications per the terms of Texas Instruments standard warranty. Production processing does not necessarily include testing of all parameters.

 **TEXAS  
INSTRUMENTS**

POST OFFICE BOX 655303 • DALLAS, TEXAS 75265

Copyright © 2001, Texas Instruments Incorporated  
On products compliant to MIL-PRF-38535, all parameters are tested unless otherwise noted. On all other products, production processing does not necessarily include testing of all parameters.

# TLV2460, TLV2461, TLV2462, TLV2463, TLV2464, TLV2465, TLV246xA FAMILY OF LOW-POWER RAIL-TO-RAIL INPUT/OUTPUT OPERATIONAL AMPLIFIERS WITH SHUTDOWN

SLOS220I – JULY 1998 – REVISED MARCH 2001

## TLV2460C//AI and TLV2461C//AI AVAILABLE OPTIONS

| T <sub>A</sub> | V <sub>IOmax</sub><br>AT 25°C | PACKAGED DEVICES         |                            |              |                          |
|----------------|-------------------------------|--------------------------|----------------------------|--------------|--------------------------|
|                |                               | SMALL OUTLINE<br>(D)     | SOT-23†<br>(DBV)           | SYMBOL       | PLASTIC DIP<br>(P)       |
| 0°C to 70°C    | 2000 μV                       | TLV2460CD<br>TLV2461CD   | TLV2460CDBV<br>TLV2461CDBV | VAOC<br>VAPC | TLV2460CP<br>TLV2461CP   |
| -40°C to 125°C | 2000 μV                       | TLV2460ID<br>TLV2461ID   | TLV2460IDBV<br>TLV2461IDBV | VAOI<br>VAPI | TLV2460IP<br>TLV2461IP   |
|                | 1500 μV                       | TLV2460AID<br>TLV2461AID | —<br>—                     | —<br>—       | TLV2460AIP<br>TLV2461AIP |

† This package is available taped and reeled. To order this packaging option, add an R suffix to the part number (e.g., TLV2460CDR).

‡ Chip forms are tested at T<sub>A</sub> = 25°C only.

## TLV2460M//AM/Q/AQ and TLV2461M//AM/Q/AQ AVAILABLE OPTIONS

| T <sub>A</sub> | V <sub>IOmax</sub><br>AT 25°C | PACKAGED DEVICES         |                            |                            |                          |                            |
|----------------|-------------------------------|--------------------------|----------------------------|----------------------------|--------------------------|----------------------------|
|                |                               | SMALL OUTLINE†<br>(D)    | SMALL OUTLINE†<br>(PW)     | CERAMIC DIP<br>(JG)        | CERAMIC FLATPACK<br>(U)  | CHIP CARRIER<br>(FK)       |
| -40°C to 125°C | 2000 μV                       | TLV2460QD<br>TLV2461QD   | TLV2460QPW<br>TLV2461QPW   | —<br>—                     | —<br>—                   | —<br>—                     |
|                | 1500 μV                       | TLV2460AQD<br>TLV2461AQD | TLV2460AQPW<br>TLV2461AQPW | —<br>—                     | —<br>—                   | —<br>—                     |
| -55°C to 125°C | 2000 μV                       | —<br>—                   | —<br>—                     | TLV2460MJG<br>TLV2461MJG   | TLV2460MU<br>TLV2461MU   | TLV2460MFK<br>TLV2461MFK   |
|                | 1500 μV                       | —<br>—                   | —<br>—                     | TLV2460AMJG<br>TLV2461AMJG | TLV2460AMU<br>TLV2461AMU | TLV2460AMFK<br>TLV2461AMFK |

† This package is available taped and reeled. To order this packaging option, add an R suffix to the part number (e.g., TLV2460QDR).

## TLV2462C//AI and TLV2463C//AI AVAILABLE OPTIONS

| T <sub>A</sub> | V <sub>IOmax</sub><br>AT 25°C | PACKAGED DEVICES         |                  |         |                  |              |                    |                    |
|----------------|-------------------------------|--------------------------|------------------|---------|------------------|--------------|--------------------|--------------------|
|                |                               | SMALL OUTLINE†<br>(D)    | MSOP<br>(DGK)    | SYMBOL  | MSOP†<br>(DGS)   | SYMBOL       | PLASTIC DIP<br>(N) | PLASTIC DIP<br>(P) |
| 0°C to 70°C    | 2000 μV                       | TLV2462CD<br>TLV2463CD   | TLV2462CDGK<br>— | xxTIAAI | —<br>TLV2463CDGS | —<br>xxTIAAK | —<br>TLV2463CN     | TLV2462CP<br>—     |
| -40°C to 125°C | 2000 μV                       | TLV2462ID<br>TLV2463ID   | TLV2462IDGK<br>— | xxTIAAJ | —<br>TLV2463IDGS | —<br>xxTIAAL | —<br>TLV2463IN     | TLV2462IP<br>—     |
|                | 1500 μV                       | TLV2462AID<br>TLV2463AID | —<br>—           | —<br>—  | —<br>—           | —<br>—       | —<br>TLV2463AIN    | TLV2462AIP<br>—    |

† This package is available taped and reeled. To order this packaging option, add an R suffix to the part number (e.g., TLV2462CDR).

‡ Chip forms are tested at T<sub>A</sub> = 25°C only.



# TLV2460, TLV2461, TLV2462, TLV2463, TLV2464, TLV2465, TLV246xA FAMILY OF LOW-POWER RAIL-TO-RAIL INPUT/OUTPUT OPERATIONAL AMPLIFIERS WITH SHUTDOWN

SLOS220I – JULY 1998 – REVISED MARCH 2001

## TLV2462M/AM/Q/AQ and TLV2463M/AM/Q/AQ AVAILABLE OPTIONS

| T <sub>A</sub> | V <sub>IOmax</sub><br>AT 25°C | PACKAGED DEVICES         |                            |                     |                       |                            |                            |
|----------------|-------------------------------|--------------------------|----------------------------|---------------------|-----------------------|----------------------------|----------------------------|
|                |                               | SMALL<br>OUTLINE†<br>(D) | SMALL<br>OUTLINE†<br>(PW)  | CERAMIC DIP<br>(JG) | CERAMIC<br>DIP<br>(J) | CERAMIC<br>FLATPACK<br>(U) | CHIP CAR-<br>RIER<br>(FK)  |
| –40°C to 125°C | 2000 μV                       | TLV2462QD<br>TLV2463QD   | TLV2462QPW<br>TLV2463QPW   | —<br>—              | —<br>—                | —<br>—                     | —<br>—                     |
|                | 1500 μV                       | TLV2462AQD<br>TLV2463AQD | TLV2462AQPW<br>TLV2463AQPW | —<br>—              | —<br>—                | —<br>—                     | —<br>—                     |
| –55°C to 125°C | 2000 μV                       | —<br>—                   | —<br>—                     | TLV2462MJG<br>—     | —<br>TLV2463MJ        | TLV2462MU                  | TLV2462MFK<br>TLV2463MFK   |
|                | 1500 μV                       | —<br>—                   | —<br>—                     | TLV2462AMJG<br>—    | —<br>TLV2463AMJ       | TLV2462AMU                 | TLV2462AMFK<br>TLV2463AMFK |

† This package is available taped and reeled. To order this packaging option, add an R suffix to the part number (e.g., TLV2462QDR).

## TLV2464C//AI and TLV2465C//AI AVAILABLE OPTIONS

| T <sub>A</sub> | V <sub>IOmax</sub><br>AT 25°C | PACKAGED DEVICES         |                          |                            |
|----------------|-------------------------------|--------------------------|--------------------------|----------------------------|
|                |                               | SMALL OUTLINE<br>(D)     | PLASTIC DIP<br>(N)       | TSSOP<br>(PW)              |
| 0°C to 70°C    | 2000 μV                       | TLV2464CD<br>TLV2465CD   | TLV2464CN<br>TLV2465CN   | TLV2464CPW<br>TLV2465CPW   |
| –40°C to 125°C | 2000 μV                       | TLV2464ID<br>TLV2465ID   | TLV2464IN<br>TLV2465IN   | TLV2464IPW<br>TLV2465IPW   |
|                | 1500 μV                       | TLV2464AID<br>TLV2465AID | TLV2464AIN<br>TLV2465AIN | TLV2464AIPW<br>TLV2465AIPW |

† This package is available taped and reeled. To order this packaging option, add an R suffix to the part number (e.g., TLV2464CDR).

‡ Chip forms are tested at T<sub>A</sub> = 25°C only.

## TLV2464M/AM/Q/AQ and TLV2465M/AM/Q/AQ AVAILABLE OPTIONS

| T <sub>A</sub> | V <sub>IOmax</sub><br>AT 25°C | PACKAGED DEVICES         |                            |                          |                            |
|----------------|-------------------------------|--------------------------|----------------------------|--------------------------|----------------------------|
|                |                               | SMALL<br>OUTLINE†<br>(D) | SMALL<br>OUTLINE†<br>(PW)  | CERAMIC DIP<br>(J)       | CHIP CARRIER<br>(FK)       |
| –40°C to 125°C | 2000 μV                       | TLV2464QD<br>TLV2465QD   | TLV2464QPW<br>TLV2465QPW   | —<br>—                   | —<br>—                     |
|                | 1500 μV                       | TLV2464AQD<br>TLV2465AQD | TLV2464AQPW<br>TLV2465AQPW | —<br>—                   | —<br>—                     |
| –55°C to 125°C | 2000 μV                       | —<br>—                   | —<br>—                     | TLV2464MJ<br>TLV2465MJ   | TLV2464MFK<br>TLV2465MFK   |
|                | 1500 μV                       | —<br>—                   | —<br>—                     | TLV2464AMJ<br>TLV2465AMJ | TLV2464AMFK<br>TLV2465AMFK |

† This package is available taped and reeled. To order this packaging option, add an R suffix to the part number (e.g., TLV2464QDR).



# TLV2460, TLV2461, TLV2462, TLV2463, TLV2464, TLV2465, TLV246xA

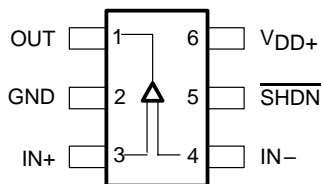
## FAMILY OF LOW-POWER RAIL-TO-RAIL INPUT/OUTPUT

### OPERATIONAL AMPLIFIERS WITH SHUTDOWN

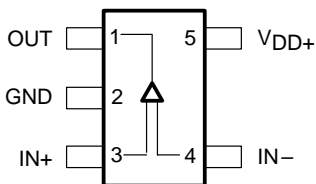
SLOS220I – JULY 1998 – REVISED MARCH 2001

#### TLV246x PACKAGE PINOUTS

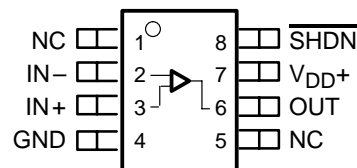
**TLV2460**  
DBV PACKAGE  
(TOP VIEW)



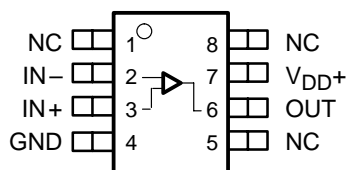
**TLV2461**  
DBV PACKAGE  
(TOP VIEW)



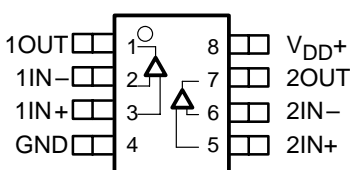
**TLV2460**  
D, P, JG, OR PW PACKAGE  
(TOP VIEW)



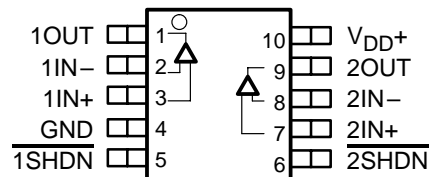
**TLV2461**  
D, P, JG, OR PW PACKAGE  
(TOP VIEW)



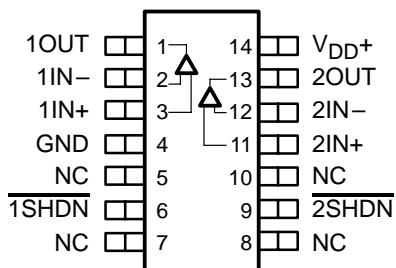
**TLV2462**  
D, DGK, P, JG, OR PW PACKAGE  
(TOP VIEW)



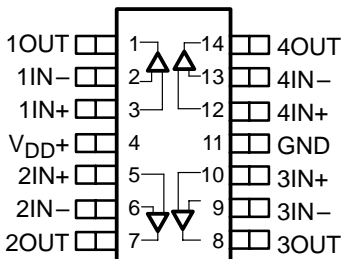
**TLV2463**  
DGS PACKAGE  
(TOP VIEW)



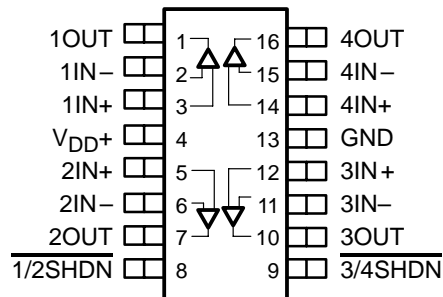
**TLV2463**  
D, N, J, OR PW PACKAGE  
(TOP VIEW)



**TLV2464**  
D, N, PWP, J, OR PW PACKAGE  
(TOP VIEW)



**TLV2465**  
D, N, PWP, J, OR PW PACKAGE  
(TOP VIEW)

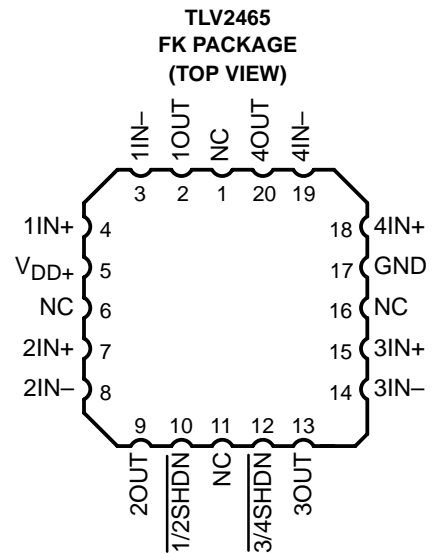
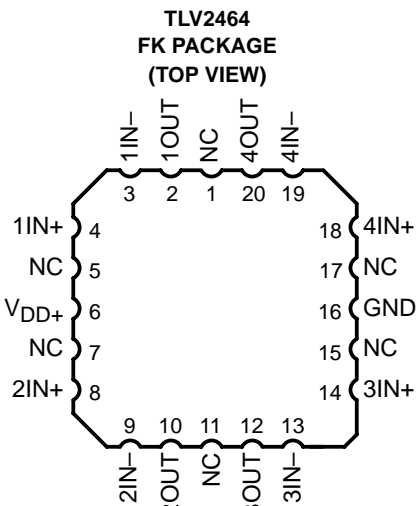
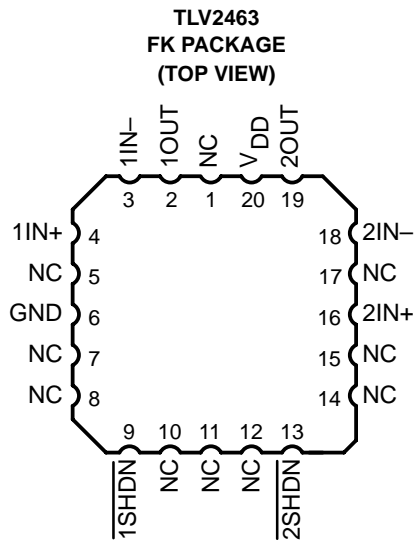
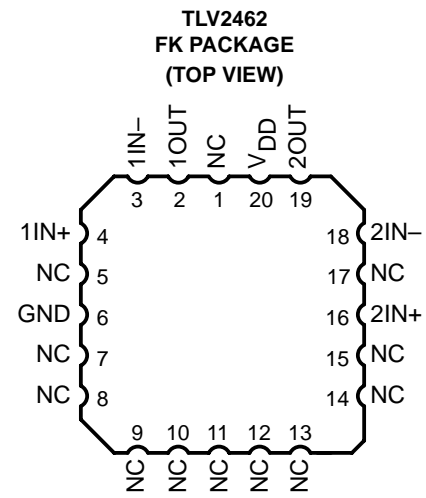
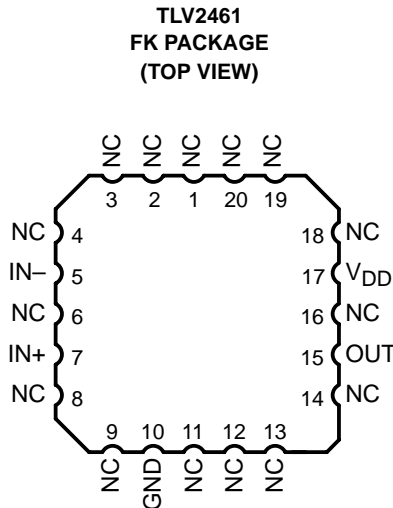
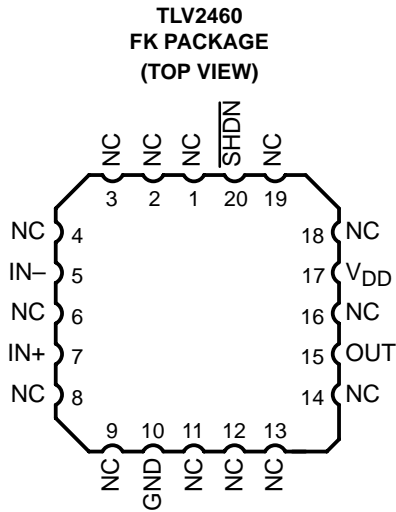
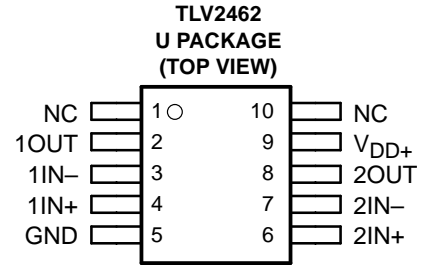
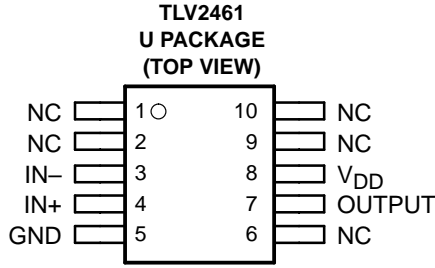
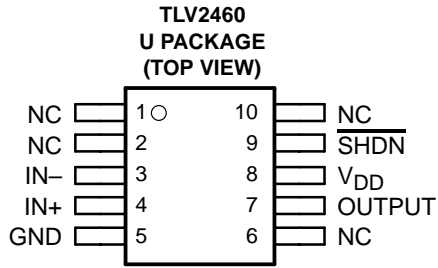


NC – No internal connection

**TLV2460, TLV2461, TLV2462, TLV2463, TLV2464, TLV2465, TLV246xA**  
**FAMILY OF LOW-POWER RAIL-TO-RAIL INPUT/OUTPUT**  
**OPERATIONAL AMPLIFIERS WITH SHUTDOWN**

SLOS2201 – JULY 1998 – REVISED MARCH 2001

**TLV246x PACKAGE PINOUTS (continued)**



NC – No internal connection



# TLV2460, TLV2461, TLV2462, TLV2463, TLV2464, TLV2465, TLV246xA FAMILY OF LOW-POWER RAIL-TO-RAIL INPUT/OUTPUT OPERATIONAL AMPLIFIERS WITH SHUTDOWN

SLOS220I – JULY 1998 – REVISED MARCH 2001

## absolute maximum ratings over operating free-air temperature range (unless otherwise noted)†

|  |                              |
|--|------------------------------|
| Supply voltage, $V_{DD}$ (see Note 1)                        | 6 V                          |
| Differential input voltage, $V_{ID}$                         | -0.2 V to $V_{DD} + 0.2$ V   |
| Input current, $I_I$ (any input)                             | $\pm 200$ mA                 |
| Output current, $I_O$  | $\pm 175$ mA                 |
| Total input current, $I_I$ (into $V_{DD+}$ )                 | 175 mA                       |
| Total output current, $I_O$ (out of GND)                     | 175 mA                       |
| Continuous total power dissipation                           | See Dissipation Rating Table |
| Operating free-air temperature range, $T_A$ : C suffix       | 0°C to 70°C                  |
| I and Q suffix   | -40°C to 125°C               |
| M suffix   | -55°C to 125°C               |
| Maximum junction temperature, $T_J$                          | 150°C                        |
| Storage temperature range, $T_{stg}$                         | -65°C to 150°C               |
| Lead temperature 1,6 mm (1/16 inch) from case for 10 seconds | 260°C                        |

† Stresses beyond those listed under “absolute maximum ratings” may cause permanent damage to the device. These are stress ratings only, and functional operation of the device at these or any other conditions beyond those indicated under “recommended operating conditions” is not implied. Exposure to absolute-maximum-rated conditions for extended periods may affect device reliability.

NOTE 1: All voltage values, except differential voltages, are with respect to GND.

DISSIPATION RATING TABLE FOR C and I SUFFIX

| PACKAGE    | $\theta_{JC}$<br>(°C/W) | $\theta_{JA}$<br>(°C/W) | $T_A \leq 25^\circ\text{C}$<br>POWER RATING | $T_A < 125^\circ\text{C}$<br>POWER RATING |
|------------|-------------------------|-------------------------|---|---|
| D (8)      | 38.3                    | 176                     | 710 mW                                      | 142 mW                                    |
| D (14)     | 26.9                    | 122.6                   | 1022 mW                                     | 204.4 mW                                  |
| D (16)     | 25.7                    | 114.7                   | 1090 mW                                     | 218 mW                                    |
| DBV (5)    | 55                      | 324.1                   | 385 mW                                      | 77.1 mW                                   |
| DBV (6)    | 55                      | 294.3                   | 425 mW                                      | 84.9 mW                                   |
| DGK        | 54.2                    | 259.9                   | 481 mW                                      | 96.2 mW                                   |
| DGS        | 54.1                    | 257.7                   | 485 mW                                      | 97 mW                                     |
| N (14, 16) | 32                      | 78                      | 1600 mW                                     | 320.5 mW                                  |
| P (8)      | 41                      | 104                     | 1200 mW                                     | 240.4 mW                                  |
| PW (14)    | 29.3                    | 173.6                   | 720 mW                                      | 144 mW                                    |
| PW (16)    | 28.7                    | 161.4                   | 774 mW                                      | 154.9 mW                                  |

NOTE: Thermal resistances are not production tested and are for informational purposes only.

DISSIPATION RATING TABLE FOR Q and M SUFFIX

| PACKAGE | $T_A \leq 25^\circ\text{C}$<br>POWER RATING | DERATING FACTOR<br>ABOVE $T_A = 25^\circ\text{C}^\ddagger$ | $T_A = 70^\circ\text{C}$<br>POWER RATING | $T_A = 85^\circ\text{C}$<br>POWER RATING | $T_A = 125^\circ\text{C}$<br>POWER RATING |
|---------|---|--|--|--|---|
| FK      | 1375 mW                                     | 11.0 mW/°C   | 880 mW                                   | 715 mW                                   | 275 mW                                    |
| JG      | 1050 mW                                     | 8.4 mW/°C  | 672 mW                                   | 546 mW                                   | 210 mW                                    |
| U       | 675 mW                                      | 5.4 mW/°C  | 432 mW                                   | 350 mW                                   | 135 mW                                    |

‡ This is the inverse of the traditional junction-to-ambient thermal resistance ( $R_{\theta JA}$ ). Thermal resistances are not production tested and are for informational purposes only.



**TLV2460, TLV2461, TLV2462, TLV2463, TLV2464, TLV2465, TLV246xA**  
**FAMILY OF LOW-POWER RAIL-TO-RAIL INPUT/OUTPUT**  
**OPERATIONAL AMPLIFIERS WITH SHUTDOWN**

SLOS2201 – JULY 1998 – REVISED MARCH 2001

**recommended operating conditions**

|  |                       | MIN        | MAX          | UNIT |
|--|-----------------------|------------|--------------|------|
| Supply voltage, $V_{DD}$                   | Single supply         | 2.7        | 6            | V    |
|  | Split supply          | $\pm 1.35$ | $\pm 3$      |      |
| Common-mode input voltage range, $V_{ICR}$ |                       | -0.2       | $V_{DD}+0.2$ | V    |
| Operating free-air temperature, $T_A$      | C-suffix              | 0          | 70           | °C   |
|  | I-suffix and Q-suffix | -40        | 125          |      |
|  | M-suffix              | -55        | 125          |      |
| Shutdown on/off voltage level <sup>‡</sup> | $V_{IH}$              | 2          |              | V    |
|  | $V_{IL}$              |            | 0.7          |      |

<sup>‡</sup> Relative to voltage on the GND terminal of the device.

**electrical characteristics at specified free-air temperature,  $V_{DD} = 3\text{ V}$  (unless otherwise noted)**

| PARAMETER  | TEST CONDITIONS  | $T_A$ <sup>†</sup> | MIN      | TYP      | MAX  | UNIT                         |    |
|--|--|--------------------|----------|----------|------|------------------------------|----|
| $V_{IO}$ Input offset voltage                                  | $V_{DD} = 3\text{ V}$ ,<br>$V_{IC} = 1.5\text{ V}$ ,<br>$V_O = 1.5\text{ V}$ ,<br>$R_S = 50\ \Omega$ | 25°C               |          | 100      | 2000 | $\mu\text{V}$                |    |
|  |  | Full range         |          |          | 2200 |                              |    |
|  |  | 25°C               | TLV246xA | 150      | 1500 |                              |    |
|  |  | Full range         |          |          | 1700 |                              |    |
| $\alpha_{VIO}$ Temperature coefficient of input offset voltage |  |                    |          | 2        |      | $\mu\text{V}/^\circ\text{C}$ |    |
| $I_{IO}$ Input offset current                                  | $V_{DD} = 3\text{ V}$ ,<br>$V_{IC} = 1.5\text{ V}$ ,<br>$V_O = 1.5\text{ V}$ ,<br>$R_S = 50\ \Omega$ | 25°C               |          | 2.8      | 7    | nA                           |    |
|  |  | Full range         | TLV246xC |          | 20   |                              |    |
| $I_{IB}$ Input bias current                                    | $V_{DD} = 3\text{ V}$ ,<br>$V_{IC} = 1.5\text{ V}$ ,<br>$V_O = 1.5\text{ V}$ ,<br>$R_S = 50\ \Omega$ | 25°C               |          | 4.4      | 14   | nA                           |    |
|  |  | Full range         | TLV246xC |          | 25   |                              |    |
| $V_{OH}$ High-level output voltage                             | $I_{OH} = -2.5\text{ mA}$  | 25°C               |          | 2.9      |      | V                            |    |
|  |  | Full range         |          | 2.8      |      |                              |    |
| $V_{OL}$ Low-level output voltage                              | $V_{IC} = 1.5\text{ V}$ ,<br>$I_{OL} = 2.5\text{ mA}$  | 25°C               |          | 0.1      |      |                              | V  |
|  |  | Full range         |          |          | 0.2  |                              |    |
| $V_{OL}$ Low-level output voltage                              | $V_{IC} = 1.5\text{ V}$ ,<br>$I_{OL} = 10\text{ mA}$   | 25°C               |          | 0.3      |      | V                            |    |
|  |  | Full range         |          |          | 0.5  |                              |    |
| $I_{OS}$ Short-circuit output current                          | Sourcing   | 25°C               |          | 50       |      |                              | mA |
|  |  | Full range         |          | 20       |      |                              |    |
|  | Sinking  | 25°C               |          | 40       |      |                              |    |
|  |  | Full range         |          | 20       |      |                              |    |
| $I_O$ Output current   | Measured 1 V from rail   | 25°C               |          | $\pm 40$ |      | mA                           |    |
| $A_{VD}$ Large-signal differential voltage amplification       | $R_L = 10\text{ k}\Omega$  | 25°C               |          | 90       | 105  | dB                           |    |
|  |  | Full range         |          | 89       |      |                              |    |
| $r_{i(d)}$ Differential input resistance                       |  | 25°C               |          | $10^9$   |      | $\Omega$                     |    |

<sup>†</sup> Full range is 0°C to 70°C for the C suffix, -40°C to 125°C for the I and Q suffixes, and -55°C to 125°C for the M suffix.



# TLV2460, TLV2461, TLV2462, TLV2463, TLV2464, TLV2465, TLV246xA FAMILY OF LOW-POWER RAIL-TO-RAIL INPUT/OUTPUT OPERATIONAL AMPLIFIERS WITH SHUTDOWN

SLOS220I – JULY 1998 – REVISED MARCH 2001

electrical characteristics at specified free-air temperature,  $V_{DD} = 3\text{ V}$  (unless otherwise noted)  
(continued)

| PARAMETER   | TEST CONDITIONS  | $T_A^\dagger$                               | MIN        | TYP | MAX   | UNIT          |
|---|--|---|------------|-----|-------|---------------|
| $C_{i(c)}$ Common-mode input capacitance  | $f = 10\text{ kHz}$  | $25^\circ\text{C}$                          |            | 7   |       | pF            |
| $Z_o$ Closed-loop output impedance  | $f = 100\text{ kHz}$ , $A_V = 10$                                  | $25^\circ\text{C}$                          |            | 33  |       | $\Omega$      |
| CMRR Common-mode rejection ratio  | $V_{ICR} = -0.2\text{ V to } 3.2\text{ V}$ ,<br>$R_S = 50\ \Omega$ | $25^\circ\text{C}$                          | 66         | 80  |       | dB            |
|   |  | TLV246xC                                    | Full range | 64  |       |               |
|   |  | TLV246xI/Q/M                                | Full range | 60  |       |               |
| $k_{SVR}$ Supply voltage rejection ratio<br>( $\Delta V_{DD} / \Delta V_{IO}$ ) | $V_{DD} = 2.7\text{ V to } 6\text{ V}$ ,<br>No load                | $V_{IC} = V_{DD}/2$ ,<br>$25^\circ\text{C}$ | 80         | 85  |       | dB            |
|   |  | Full range                                  | 75         |     |       |               |
|   | $V_{DD} = 3\text{ V to } 5\text{ V}$ ,<br>No load                  | $V_{IC} = V_{DD}/2$ ,<br>$25^\circ\text{C}$ | 85         | 95  |       |               |
|   |  | Full range                                  | 80         |     |       |               |
| $I_{DD}$ Supply current (per channels)  | $V_O = 1.5\text{ V}$ ,<br>No load                                  | $25^\circ\text{C}$                          |            | 0.5 | 0.575 | mA            |
|   |  | Full range                                  |            |     | 0.9   |               |
| $I_{DD(SHDN)}$ Supply current in shutdown<br>(TLV2460, TLV2463, TLV2465)        | SHDN < 0.7 V,<br>Per channel in shutdown                           | $25^\circ\text{C}$                          |            | 0.3 |       | $\mu\text{A}$ |
|   |  | Full range                                  |            |     | 2.5   |               |

$^\dagger$  Full range is  $0^\circ\text{C}$  to  $70^\circ\text{C}$  for the C suffix,  $-40^\circ\text{C}$  to  $125^\circ\text{C}$  for the I and Q suffixes, and  $-55^\circ\text{C}$  to  $125^\circ\text{C}$  for the M suffix.

operating characteristics at specified free-air temperature,  $V_{DD} = 3\text{ V}$  (unless otherwise noted)

| PARAMETER                                    | TEST CONDITIONS   | $T_A^\dagger$                   | MIN                | TYP    | MAX   | UNIT                         |
|--|---|---------------------------------|--------------------|--------|-------|------------------------------|
| SR Slew rate at unity gain                   | $V_{O(PP)} = 2\text{ V}$ ,<br>$R_L = 10\text{ k}\Omega$ , $C_L = 160\text{ pF}$                   | $25^\circ\text{C}$              | 1                  | 1.6    |       | $\text{V}/\mu\text{s}$       |
|  |   | Full range                      | 0.8                |        |       |                              |
| $V_n$ Equivalent input noise voltage         | $f = 100\text{ Hz}$   | $25^\circ\text{C}$              |                    | 16     |       | $\text{nV}/\sqrt{\text{Hz}}$ |
|  | $f = 1\text{ kHz}$  | $25^\circ\text{C}$              |                    | 11     |       |                              |
| $I_n$ Equivalent input noise current         | $f = 1\text{ kHz}$  | $25^\circ\text{C}$              |                    | 0.13   |       | $\text{pA}/\sqrt{\text{Hz}}$ |
| THD + N Total harmonic distortion plus noise | $V_{O(PP)} = 2\text{ V}$ ,<br>$R_L = 10\text{ k}\Omega$ , $f = 1\text{ kHz}$                      | $A_V = 1$                       |                    | 0.006% |       |                              |
|  |   | $A_V = 10$                      | $25^\circ\text{C}$ |        | 0.02% |                              |
|  |   | $A_V = 100$                     |                    |        | 0.08% |                              |
| $t_{(on)}$ Amplifier turnon time             | $A_V = 1$ , $R_L = 10\text{ k}\Omega$   | Both channels                   |                    | 7.6    |       | $\mu\text{s}$                |
|  |   | Channel 1 only,<br>Channel 2 on | $25^\circ\text{C}$ |        | 7.65  |                              |
| $t_{(off)}$ Amplifier turnoff time           | $A_V = 1$ , $R_L = 10\text{ k}\Omega$   | Both channels                   |                    | 333    |       | ns                           |
|  |   | Channel 1 only,<br>Channel 2 on | $25^\circ\text{C}$ |        | 328   |                              |
|  |   | Channel 2 only,<br>Channel 1 on |                    |        | 329   |                              |
| Gain-bandwidth product                       | $f = 10\text{ kHz}$ , $C_L = 160\text{ pF}$ , $R_L = 10\text{ k}\Omega$                           | $25^\circ\text{C}$              |                    | 5.2    |       | MHz                          |
| $t_s$ Settling time                          | $V_{(STEP)PP} = 2\text{ V}$ ,<br>$A_V = -1$ , $C_L = 10\text{ pF}$ ,<br>$R_L = 10\text{ k}\Omega$ | 0.1%                            |                    | 1.47   |       | $\mu\text{s}$                |
|  |   | 0.01%                           | $25^\circ\text{C}$ |        | 1.78  |                              |
|  | $V_{(STEP)PP} = 2\text{ V}$ ,<br>$A_V = -1$ , $C_L = 56\text{ pF}$ ,<br>$R_L = 10\text{ k}\Omega$ | 0.1%                            |                    | 1.77   |       |                              |
|  |   | 0.01%                           |                    | 1.98   |       |                              |
| $\phi_m$ Phase margin at unity gain          | $R_L = 10\text{ k}\Omega$ , $C_L = 160\text{ pF}$   | $25^\circ\text{C}$              |                    | 44°    |       |                              |
| Gain margin                                  |   | $25^\circ\text{C}$              |                    | 7      |       | dB                           |

$^\dagger$  Full range is  $0^\circ\text{C}$  to  $70^\circ\text{C}$  for the C suffix,  $-40^\circ\text{C}$  to  $125^\circ\text{C}$  for the I and Q suffixes, and  $-55^\circ\text{C}$  to  $125^\circ\text{C}$  for the M suffix.





**TLV2460, TLV2461, TLV2462, TLV2463, TLV2464, TLV2465, TLV246xA**  
**FAMILY OF LOW-POWER RAIL-TO-RAIL INPUT/OUTPUT**  
**OPERATIONAL AMPLIFIERS WITH SHUTDOWN**

SLOS220I – JULY 1998 – REVISED MARCH 2001

**electrical characteristics at specified free-air temperature,  $V_{DD} = 5\text{ V}$  (unless otherwise noted)**

| PARAMETER      |  | TEST CONDITIONS  | $T_A$ †                  | MIN        | TYP  | MAX  | UNIT                         |  |
|----------------|--|--|--------------------------|------------|------|------|------------------------------|--|
| $V_{IO}$       | Input offset voltage   | $V_{DD} = 5\text{ V}$ ,<br>$V_{IC} = 2.5\text{ V}$ ,<br>$V_O = 2.5\text{ V}$ ,<br>$R_S = 50\ \Omega$ | 25°C                     | 150        | 2000 |      | $\mu\text{V}$                |  |
|                |  |  | Full range               |            |      | 2200 |                              |  |
|                |  |  | TLV246xA                 | 25°C       | 150  | 1500 |                              |  |
|                |  |  | Full range               |            |      | 1700 |                              |  |
| $\alpha_{VIO}$ | Temperature coefficient of input offset voltage                    |  | 25°C                     | 2          |      |      | $\mu\text{V}/^\circ\text{C}$ |  |
| $I_{IO}$       | Input offset current   | $V_{DD} = 5\text{ V}$ ,<br>$V_{IC} = 2.5\text{ V}$ ,<br>$V_O = 2.5\text{ V}$ ,<br>$R_S = 50\ \Omega$ | 25°C                     | 0.3        | 7    |      | nA                           |  |
|                |  |  | TLV246xC                 | Full range |      | 15   |                              |  |
|                |  |  | TLV246xI/Q/M             | Full range |      | 60   |                              |  |
| $I_{IB}$       | Input bias current   | $V_{DD} = 5\text{ V}$ ,<br>$V_{IC} = 2.5\text{ V}$ ,<br>$V_O = 2.5\text{ V}$ ,<br>$R_S = 50\ \Omega$ | 25°C                     | 1.3        | 14   |      | nA                           |  |
|                |  |  | TLV246xC                 | Full range |      | 30   |                              |  |
|                |  |  | TLV246xI/Q/M             | Full range |      | 60   |                              |  |
| $V_{OH}$       | High-level output voltage  | $I_{OH} = -2.5\text{ mA}$  | 25°C                     | 4.9        |      |      | V                            |  |
|                |  |  | Full range               | 4.8        |      |      |                              |  |
|                |  |  | $I_{OH} = -10\text{ mA}$ | 25°C       | 4.8  |      |                              |  |
|                |  |  | Full range               | 4.7        |      |      |                              |  |
| $V_{OL}$       | Low-level output voltage   | $V_{IC} = 2.5\text{ V}$ , $I_{OL} = 2.5\text{ mA}$   | 25°C                     | 0.1        |      |      | V                            |  |
|                |  |  | Full range               |            |      | 0.2  |                              |  |
|                |  | $V_{IC} = 2.5\text{ V}$ , $I_{OL} = 10\text{ mA}$  | 25°C                     | 0.2        |      |      |                              |  |
|                |  |  | Full range               |            |      | 0.3  |                              |  |
| $I_{OS}$       | Short-circuit output current                                       | Sourcing   | 25°C                     | 145        |      |      | mA                           |  |
|                |  |  | Full range               | 60         |      |      |                              |  |
|                |  | Sinking  | 25°C                     | 100        |      |      |                              |  |
|                |  |  | Full range               | 60         |      |      |                              |  |
| $I_O$          | Output current   | Measured at 1 V from rail  | 25°C                     | $\pm 80$   |      |      | mA                           |  |
| $A_{VD}$       | Large-signal differential voltage amplification                    | $V_{IC} = 2.5\text{ V}$ , $R_L = 10\text{ k}\Omega$ ,<br>$V_O = 1\text{ V to }4\text{ V}$            | 25°C                     | 92         | 109  |      | dB                           |  |
|                |  |  | Full range               | 90         |      |      |                              |  |
| $r_{i(d)}$     | Differential input resistance                                      |  | 25°C                     | $10^9$     |      |      | $\Omega$                     |  |
| $c_{i(c)}$     | Common-mode input capacitance                                      | $f = 10\text{ kHz}$  | 25°C                     | 7          |      |      | pF                           |  |
| $z_o$          | Closed-loop output impedance                                       | $f = 100\text{ kHz}$ , $A_V = 10$  | 25°C                     | 29         |      |      | $\Omega$                     |  |
| CMRR           | Common-mode rejection ratio  | $V_{ICR} = -0.2\text{ V to }5.2\text{ V}$ ,<br>$R_S = 50\ \Omega$                                    | 25°C                     | 71         | 85   |      | dB                           |  |
|                |  |  | TLV246xC                 | Full range | 69   |      |                              |  |
|                |  |  | TLV246xI/Q/M             | Full range | 60   |      |                              |  |
| $k_{SVR}$      | Supply voltage rejection ratio ( $\Delta V_{DD} / \Delta V_{IO}$ ) | $V_{DD} = 2.7\text{ V to }6\text{ V}$ ,<br>No load   | $V_{IC} = V_{DD}/2$      | 25°C       | 80   | 85   | dB                           |  |
|                |  |  | Full range               | 75         |      |      |                              |  |
|                |  | $V_{DD} = 3\text{ V to }5\text{ V}$ ,<br>No load   | $V_{IC} = V_{DD}/2$      | 25°C       | 85   | 95   | dB                           |  |
|                |  |  | Full range               | 80         |      |      |                              |  |
| $I_{DD}$       | Supply current (per channel)                                       | $V_O = 2.5\text{ V}$ , No load,  | 25°C                     | 0.55       | 0.65 |      | mA                           |  |
|                |  |  | Full range               |            |      | 1    |                              |  |
| $I_{DD(SHDN)}$ | Supply current in shutdown (TLV2460, TLV2463, TLV2465)             | SHDN < 0.7 V, Per channels in shutdown   | 25°C                     | 1          |      |      | $\mu\text{A}$                |  |
|                |  |  | Full range               |            |      | 3    |                              |  |

† Full range is 0°C to 70°C for the C suffix, -40°C to 125°C for the I and Q suffixes, and -55°C to 125°C for the M suffix.



**TLV2460, TLV2461, TLV2462, TLV2463, TLV2464, TLV2465, TLV246xA**  
**FAMILY OF LOW-POWER RAIL-TO-RAIL INPUT/OUTPUT**  
**OPERATIONAL AMPLIFIERS WITH SHUTDOWN**

SLOS220I – JULY 1998 – REVISED MARCH 2001

**operating characteristics at specified free-air temperature,  $V_{DD} = 5\text{ V}$  (unless otherwise noted)**

| PARAMETER              |                                      | TEST CONDITIONS  |                             | $T_A$ †    | MIN                             | TYP    | MAX           | UNIT                   |
|------------------------|--------------------------------------|--|-----------------------------|------------|---------------------------------|--------|---------------|------------------------|
| SR                     | Slew rate at unity gain              | $V_{O(PP)} = 2\text{ V}$ ,<br>$R_L = 10\text{ k}\Omega$  | $C_L = 160\text{ pF}$       | 25°C       | 1                               | 1.6    |               | V/ $\mu\text{s}$       |
|                        |                                      |  |                             | Full range | 0.8                             |        |               |                        |
| $V_n$                  | Equivalent input noise voltage       |  |                             | 25°C       | 14                              |        |               | nV/ $\sqrt{\text{Hz}}$ |
|                        |                                      |  |                             | 25°C       | 11                              |        |               |                        |
| $I_n$                  | Equivalent input noise current       | f = 100 Hz   |                             | 25°C       | 0.13                            |        |               | pA/ $\sqrt{\text{Hz}}$ |
| THD + N                | Total harmonic distortion plus noise | $V_{O(PP)} = 4\text{ V}$ ,<br>$R_L = 10\text{ k}\Omega$ ,<br>f = 10 kHz                              |                             | 25°C       | $A_V = 1$                       | 0.004% |               |                        |
|                        |                                      |  |                             |            | $A_V = 10$                      | 0.01%  |               |                        |
|                        |                                      |  |                             |            | $A_V = 100$                     | 0.04%  |               |                        |
| $t_{(on)}$             | Amplifier turnon time                | $A_V = 1$ , $R_L = 10\text{ k}\Omega$  |                             | 25°C       | Both channels                   | 7.6    |               | $\mu\text{s}$          |
|                        |                                      |  |                             |            | Channel 1 only,<br>Channel 2 on | 7.65   |               |                        |
|                        |                                      |  |                             |            | Channel 2 only,<br>Channel 1 on | 7.25   |               |                        |
| $t_{(off)}$            | Amplifier turnoff time               | $A_V = 1$ , $R_L = 10\text{ k}\Omega$  |                             | 25°C       | Both channels                   | 333    |               | ns                     |
|                        |                                      |  |                             |            | Channel 1 only,<br>Channel 2 on | 328    |               |                        |
|                        |                                      |  |                             |            | Channel 2 only,<br>Channel 1 on | 329    |               |                        |
| Gain-bandwidth product |                                      | f = 10 kHz,<br>$C_L = 160\text{ pF}$   | $R_L = 10\text{ k}\Omega$ , | 25°C       | 6.4                             |        |               | MHz                    |
| $t_s$                  | Settling time                        | $V_{(STEP)PP} = 2\text{ V}$ ,<br>$A_V = -1$ ,<br>$C_L = 10\text{ pF}$ ,<br>$R_L = 10\text{ k}\Omega$ | 0.1%                        | 25°C       | 1.53                            |        | $\mu\text{s}$ |                        |
|                        |                                      |  | 0.01%                       |            | 1.83                            |        |               |                        |
|                        |                                      | $V_{(STEP)PP} = 2\text{ V}$ ,<br>$A_V = -1$ ,<br>$C_L = 56\text{ pF}$ ,<br>$R_L = 10\text{ k}\Omega$ | 0.1%                        |            | 3.13                            |        |               |                        |
|                        |                                      |  | 0.01%                       |            | 3.33                            |        |               |                        |
| $\phi_m$               | Phase margin at unity gain           | $R_L = 10\text{ k}\Omega$ , $C_L = 160\text{ pF}$  |                             | 25°C       | 45°                             |        |               |                        |
|                        | Gain margin                          |  |                             | 25°C       | 7                               |        | dB            |                        |

† Full range is 0°C to 70°C for the C suffix, -40°C to 125°C for the I and Q suffixes, and -55°C to 125°C for the M suffix.



**TLV2460, TLV2461, TLV2462, TLV2463, TLV2464, TLV2465, TLV246xA**  
**FAMILY OF LOW-POWER RAIL-TO-RAIL INPUT/OUTPUT**  
**OPERATIONAL AMPLIFIERS WITH SHUTDOWN**

SLOS220I – JULY 1998 – REVISED MARCH 2001

**TYPICAL CHARACTERISTICS**

**Table of Graphs**

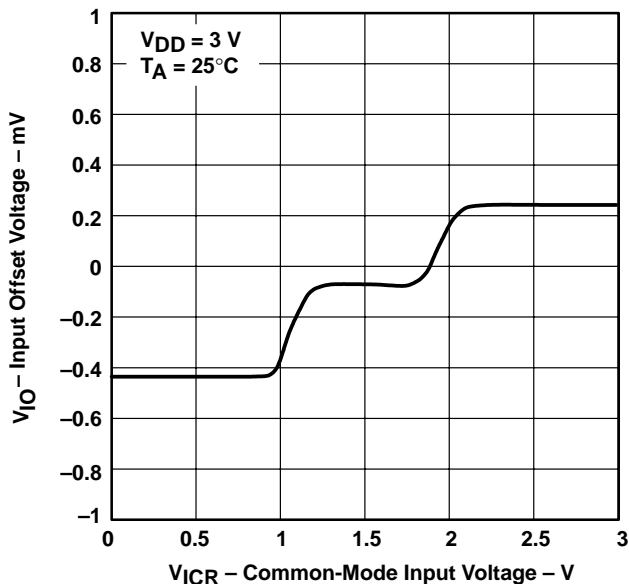
|             |                                      | <b>FIGURE</b>                              |
|-------------|--------------------------------------|--|
| $V_{IO}$    | Input offset voltage                 | vs Common-mode input voltage<br>1, 2       |
| $I_{IB}$    | Input bias current                   | vs Free-air temperature<br>3, 4            |
| $I_{IO}$    | Input offset current                 | vs Free-air temperature<br>3, 4            |
| $V_{OH}$    | High-level output voltage            | vs High-level output current<br>5, 6       |
| $V_{OL}$    | Low-level output voltage             | vs Low-level output current<br>7, 8        |
| $V_{O(PP)}$ | Peak-to-peak output voltage          | vs Frequency<br>9, 10                      |
|             | Open-loop gain                       | vs Frequency<br>11, 12                     |
|             | Phase                                | vs Frequency<br>11, 12                     |
| $A_{VD}$    | Differential voltage amplification   | vs Load resistance<br>13                   |
|             | Capacitive load                      | vs Load resistance<br>14                   |
| $Z_o$       | Output impedance                     | vs Frequency<br>15, 16                     |
| CMRR        | Common-mode rejection ratio          | vs Frequency<br>17                         |
| $k_{SVR}$   | Supply-voltage rejection ratio       | vs Frequency<br>18, 19                     |
| $I_{DD}$    | Supply current                       | vs Supply voltage<br>20                    |
|             |                                      | vs Free-air temperature<br>21              |
|             | Amplifier turnon characteristics     | 22   |
|             | Amplifier turnoff characteristics    | 23   |
|             | Supply current turnon                | 24   |
|             | Supply current turnoff               | 25   |
|             | Shutdown supply current              | vs Free-air temperature<br>26              |
| SR          | Slew rate                            | vs Supply voltage<br>27                    |
| $V_n$       | Equivalent input noise voltage       | vs Frequency<br>28, 29                     |
|             |                                      | vs Common-mode input voltage<br>30, 31     |
| THD         | Total harmonic distortion            | vs Frequency<br>32, 33                     |
| THD+N       | Total harmonic distortion plus noise | vs Peak-to-peak signal amplitude<br>34, 35 |
| $\phi_m$    | Phase margin                         | vs Frequency<br>11, 12                     |
|             |                                      | vs Load capacitance<br>36                  |
|             |                                      | vs Free-air temperature<br>37              |
|             | Gain bandwidth product               | vs Supply voltage<br>38                    |
|             |                                      | vs Free-air temperature<br>39              |
|             | Large signal follower                | 40, 41                                     |
|             | Small signal follower                | 42, 43                                     |
|             | Inverting large signal               | 44, 45                                     |
|             | Inverting small signal               | 46, 47                                     |

**TLV2460, TLV2461, TLV2462, TLV2463, TLV2464, TLV2465, TLV246xA**  
**FAMILY OF LOW-POWER RAIL-TO-RAIL INPUT/OUTPUT**  
**OPERATIONAL AMPLIFIERS WITH SHUTDOWN**

SLOS2201 – JULY 1998 – REVISED MARCH 2001

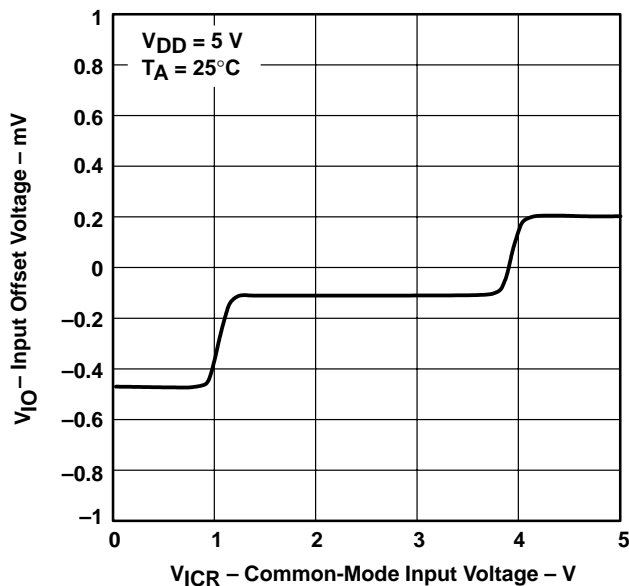
**TYPICAL CHARACTERISTICS**

**INPUT OFFSET VOLTAGE**  
**vs**  
**COMMON-MODE INPUT VOLTAGE**



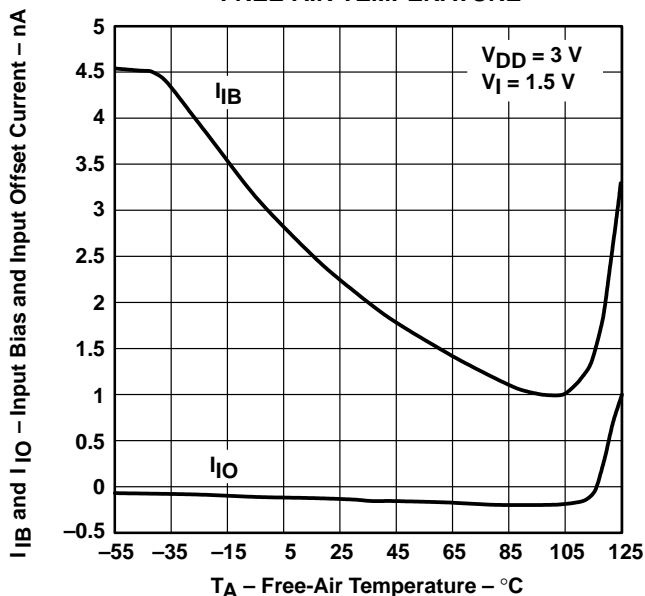
**Figure 1**

**INPUT OFFSET VOLTAGE**  
**vs**  
**COMMON-MODE INPUT VOLTAGE**



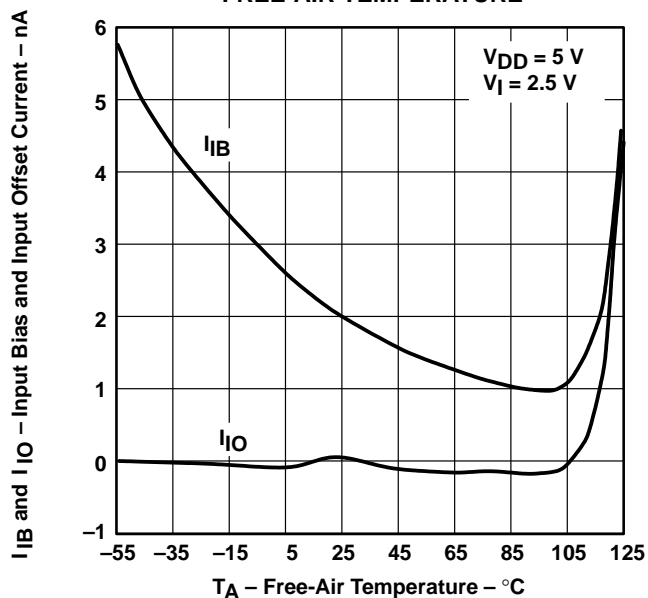
**Figure 2**

**INPUT BIAS AND INPUT OFFSET CURRENT**  
**vs**  
**FREE-AIR TEMPERATURE**



**Figure 3**

**INPUT BIAS AND INPUT OFFSET CURRENT**  
**vs**  
**FREE-AIR TEMPERATURE**



**Figure 4**



TYPICAL CHARACTERISTICS

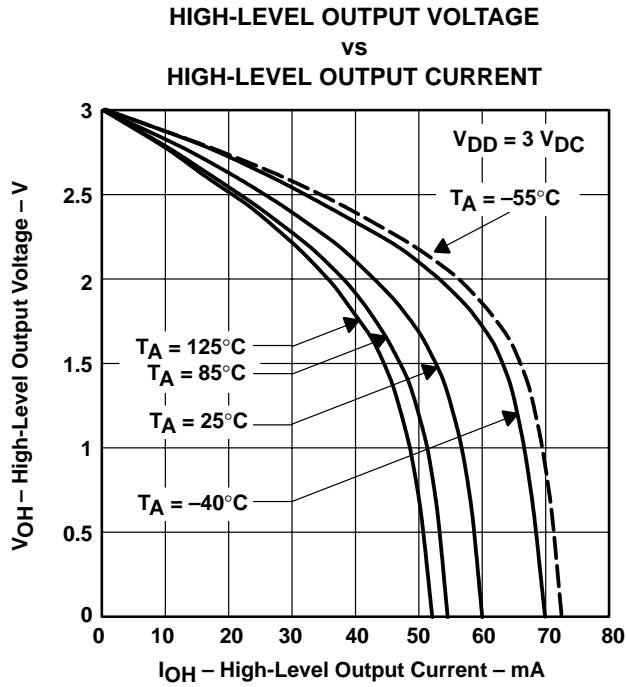


Figure 5

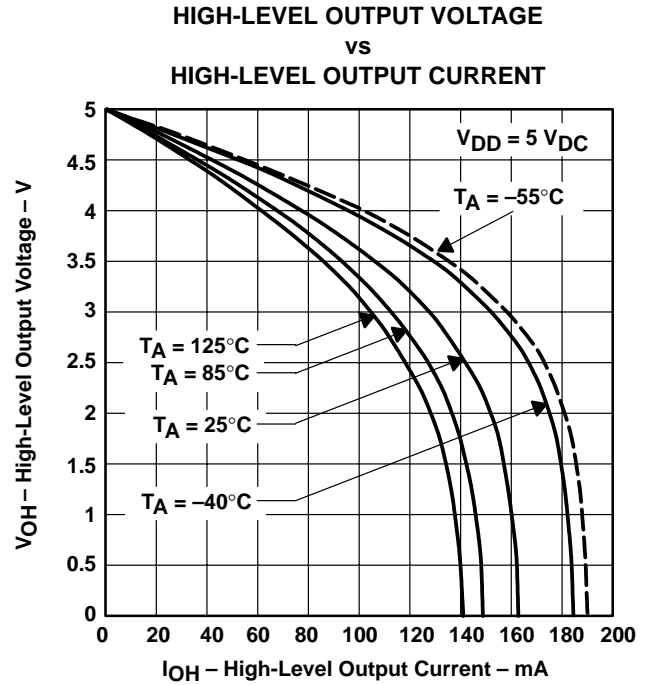


Figure 6

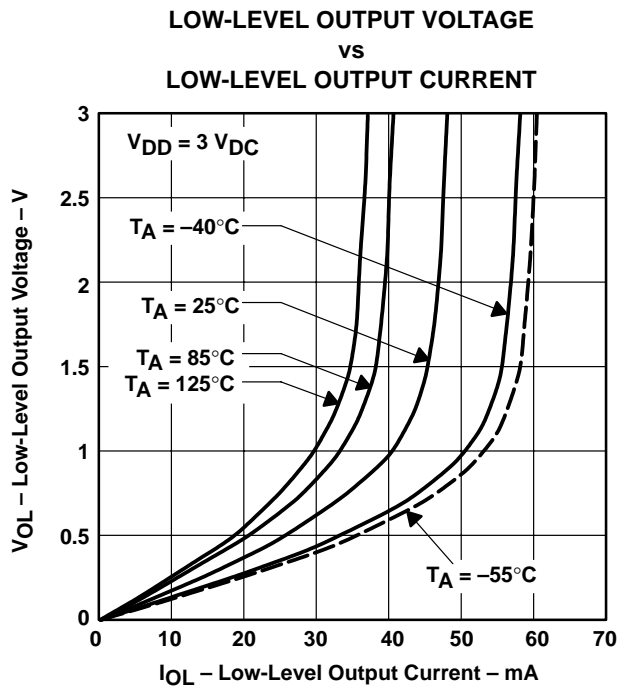


Figure 7

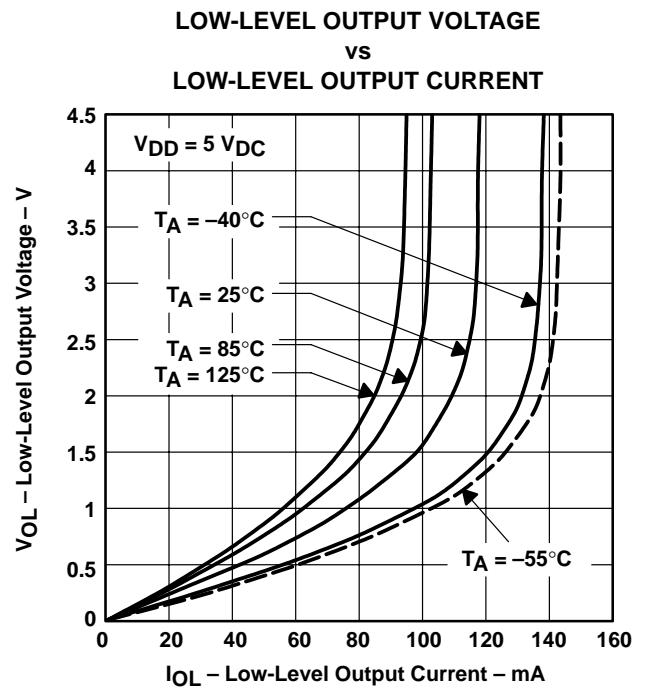


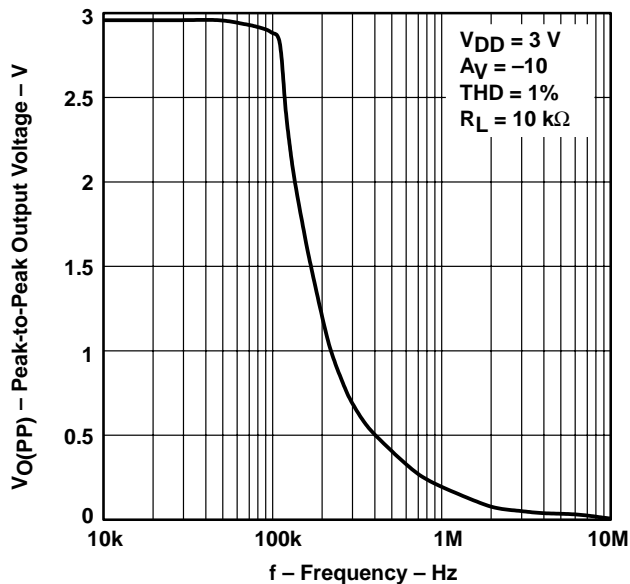
Figure 8

**TLV2460, TLV2461, TLV2462, TLV2463, TLV2464, TLV2465, TLV246xA**  
**FAMILY OF LOW-POWER RAIL-TO-RAIL INPUT/OUTPUT**  
**OPERATIONAL AMPLIFIERS WITH SHUTDOWN**

SLOS2201 – JULY 1998 – REVISED MARCH 2001

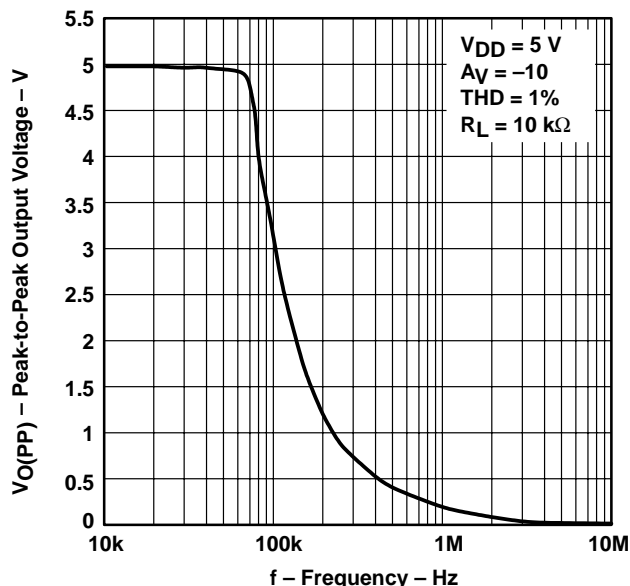
**TYPICAL CHARACTERISTICS**

**PEAK-TO-PEAK OUTPUT VOLTAGE  
 VS  
 FREQUENCY**



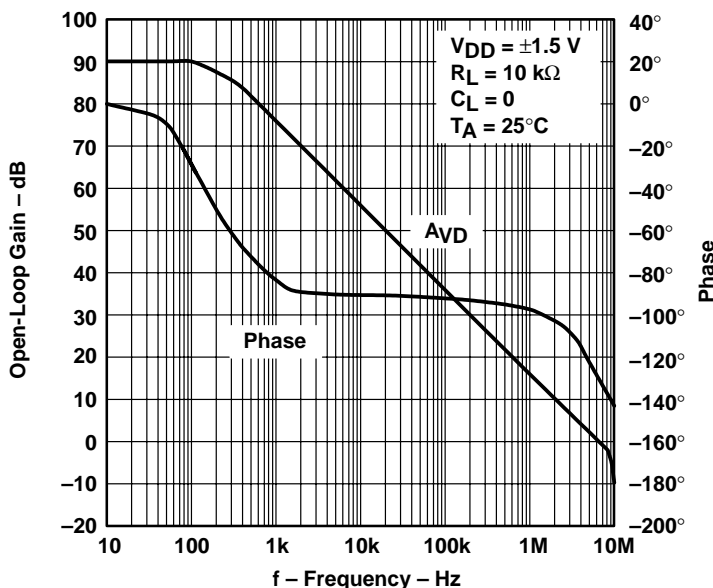
**Figure 9**

**PEAK-TO-PEAK OUTPUT VOLTAGE  
 VS  
 FREQUENCY**



**Figure 10**

**OPEN-LOOP GAIN AND PHASE  
 VS  
 FREQUENCY**



**Figure 11**



TLV2460, TLV2461, TLV2462, TLV2463, TLV2464, TLV2465, TLV246xA  
 FAMILY OF LOW-POWER RAIL-TO-RAIL INPUT/OUTPUT  
 OPERATIONAL AMPLIFIERS WITH SHUTDOWN

SLOS2201 – JULY 1998 – REVISED MARCH 2001

TYPICAL CHARACTERISTICS

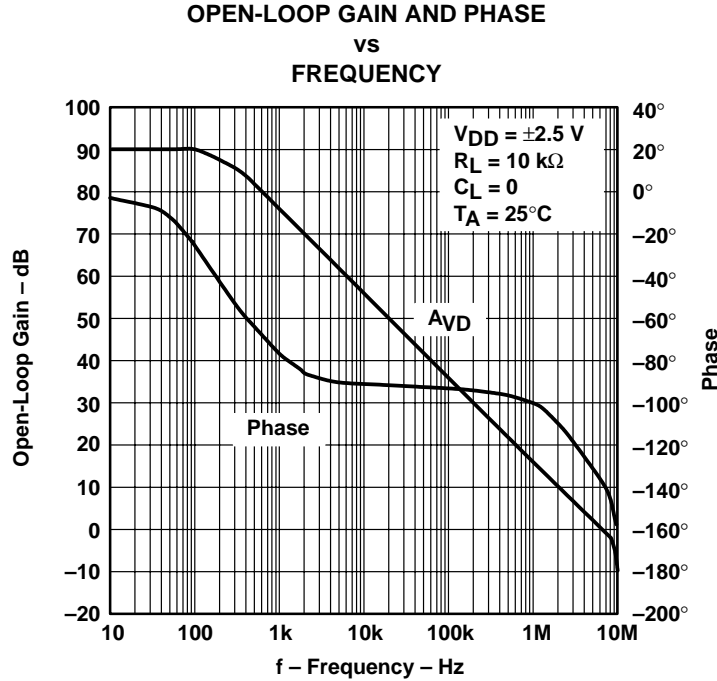


Figure 12

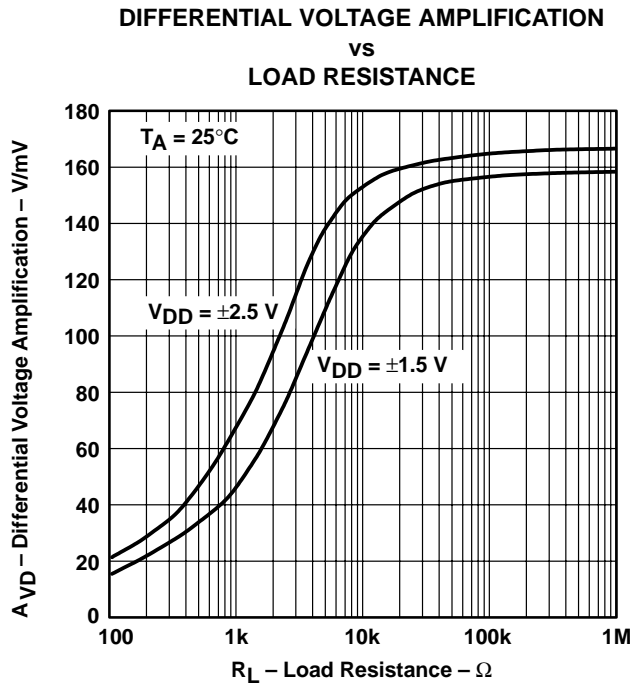


Figure 13

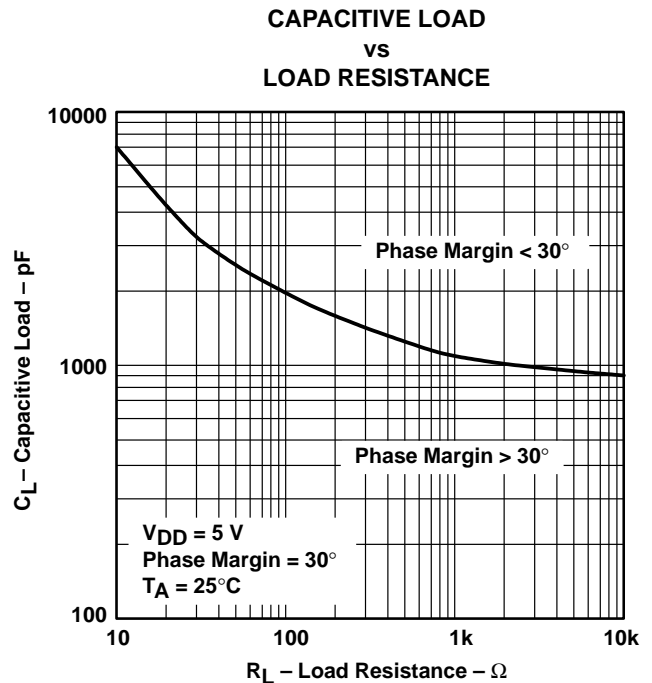


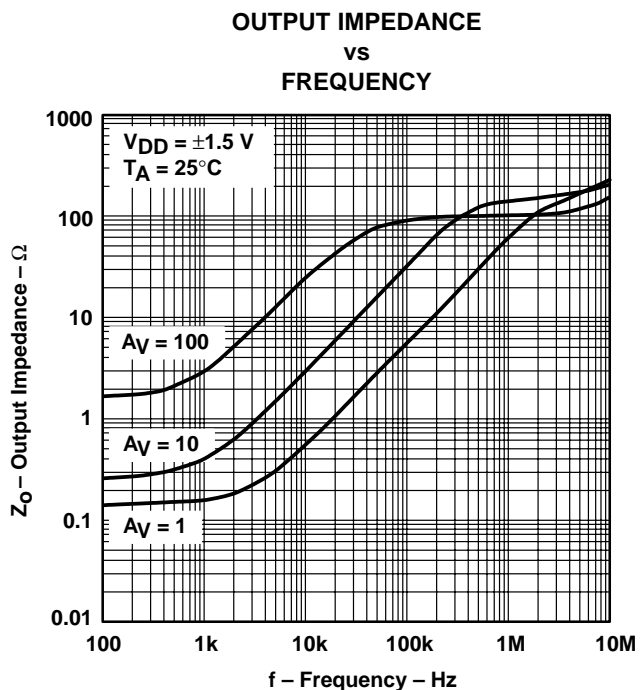
Figure 14



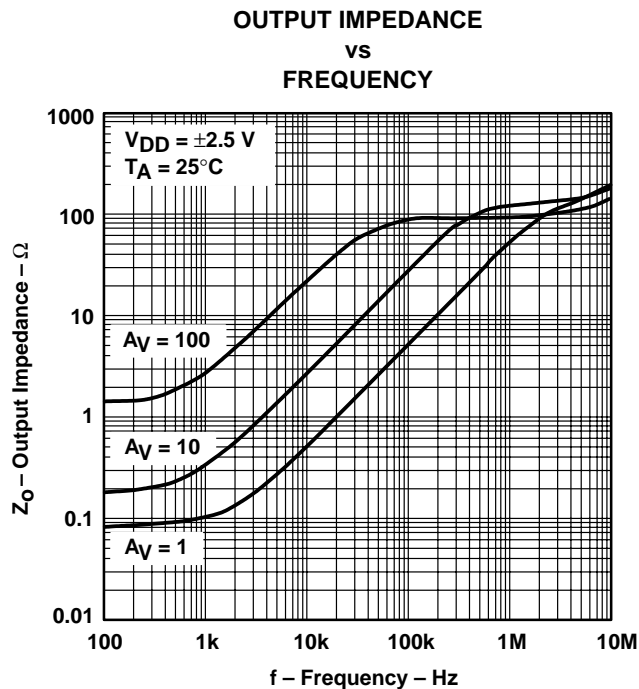
**TLV2460, TLV2461, TLV2462, TLV2463, TLV2464, TLV2465, TLV246xA**  
**FAMILY OF LOW-POWER RAIL-TO-RAIL INPUT/OUTPUT**  
**OPERATIONAL AMPLIFIERS WITH SHUTDOWN**

SLOS220I – JULY 1998 – REVISED MARCH 2001

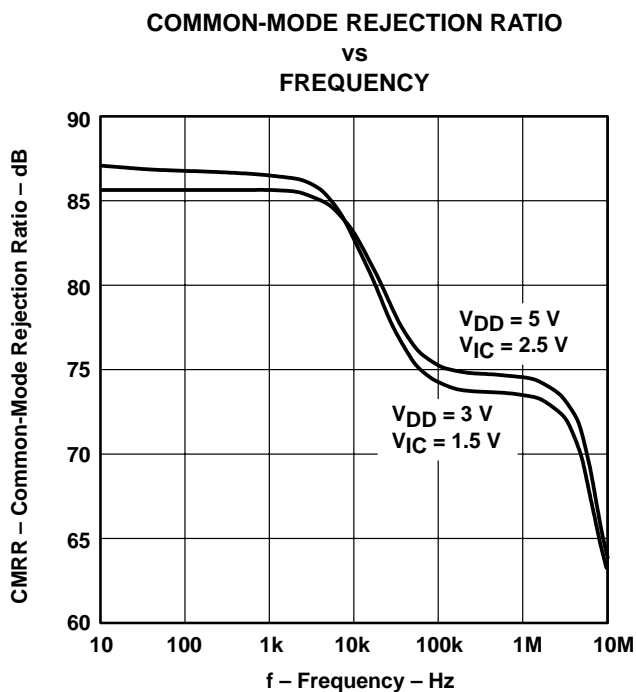
**TYPICAL CHARACTERISTICS**



**Figure 15**



**Figure 16**



**Figure 17**





TLV2460, TLV2461, TLV2462, TLV2463, TLV2464, TLV2465, TLV246xA  
 FAMILY OF LOW-POWER RAIL-TO-RAIL INPUT/OUTPUT  
 OPERATIONAL AMPLIFIERS WITH SHUTDOWN

SLOS220I – JULY 1998 – REVISED MARCH 2001

TYPICAL CHARACTERISTICS

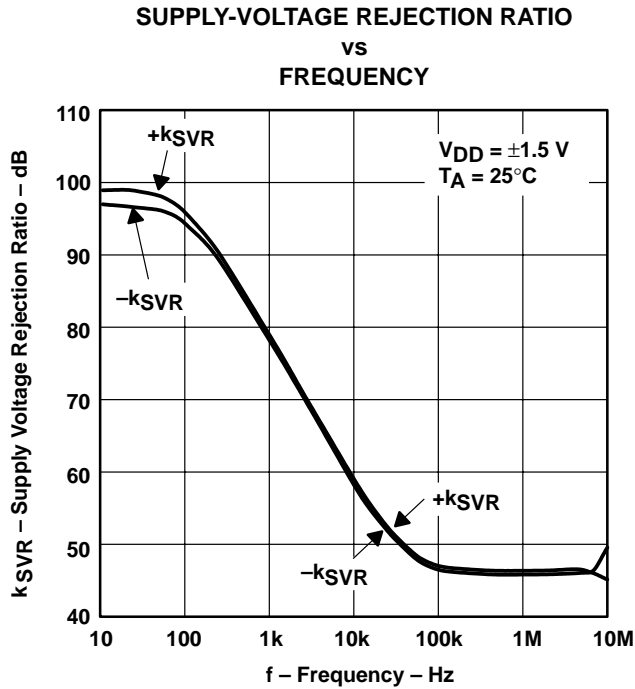


Figure 18

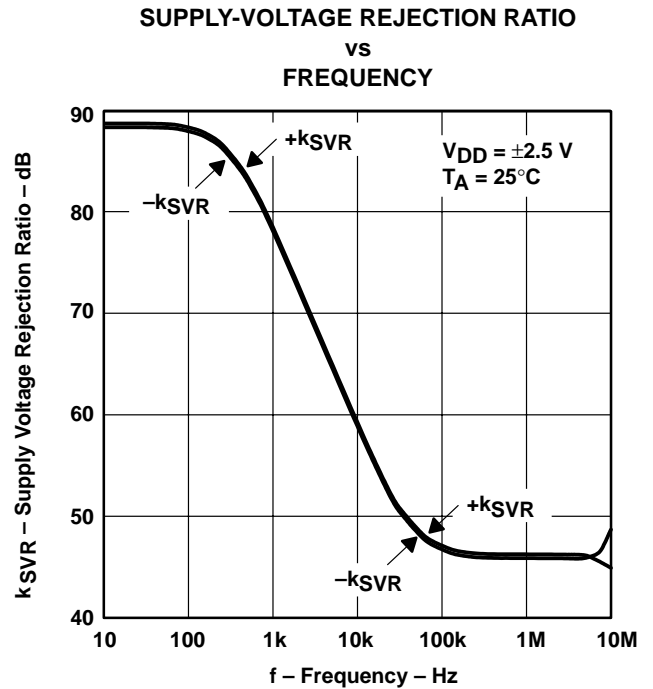


Figure 19

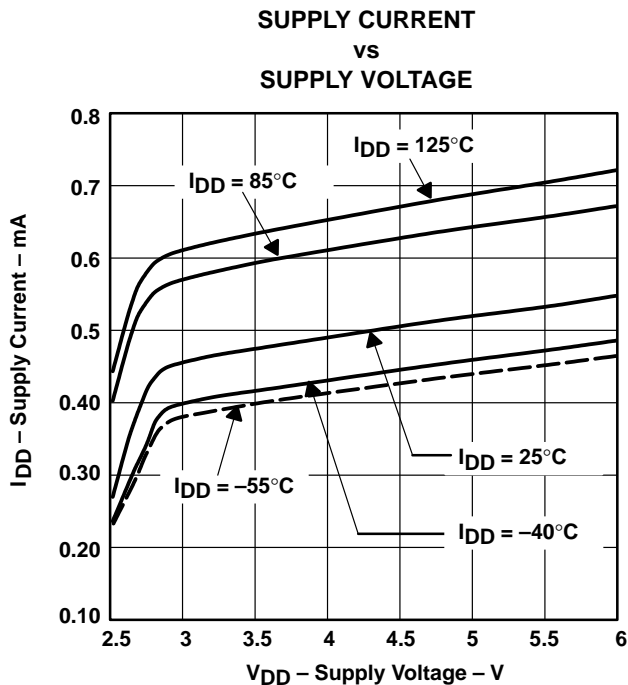


Figure 20

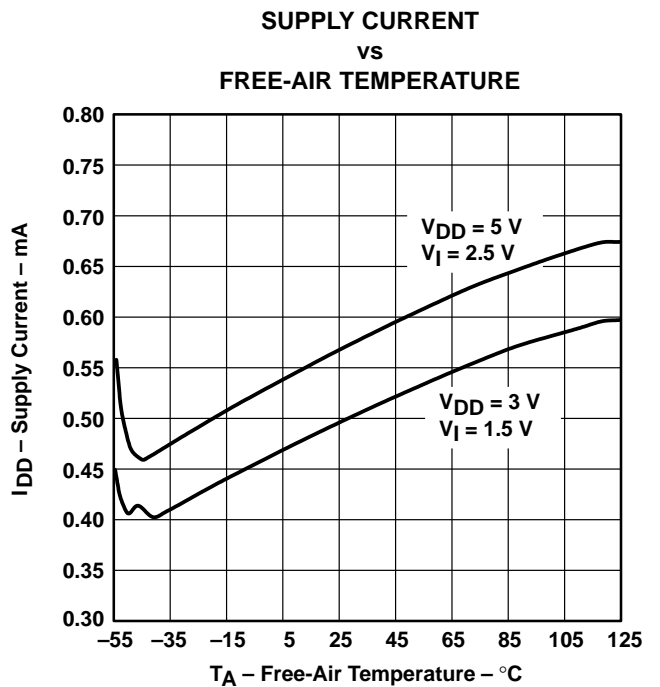


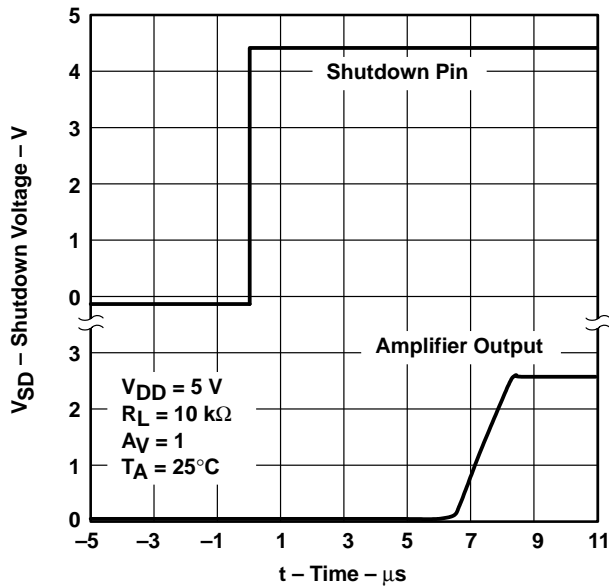
Figure 21

**TLV2460, TLV2461, TLV2462, TLV2463, TLV2464, TLV2465, TLV246xA**  
**FAMILY OF LOW-POWER RAIL-TO-RAIL INPUT/OUTPUT**  
**OPERATIONAL AMPLIFIERS WITH SHUTDOWN**

SLOS220I – JULY 1998 – REVISED MARCH 2001

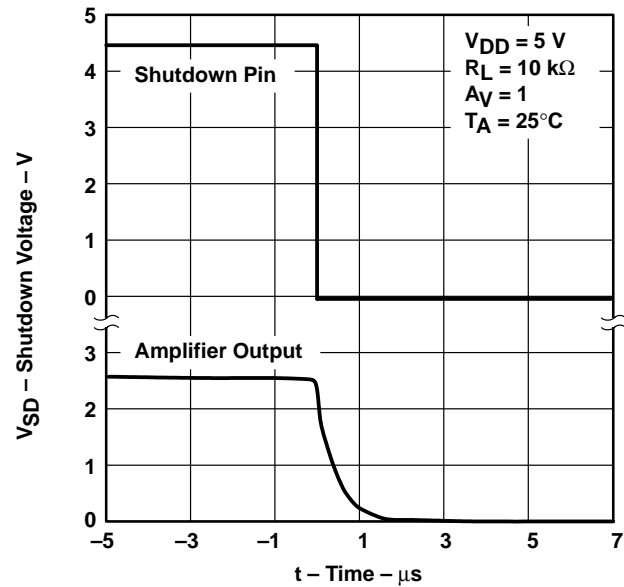
**TYPICAL CHARACTERISTICS**

**AMPLIFIER WITH A SHUTDOWN PULSE  
TURNON CHARACTERISTICS**



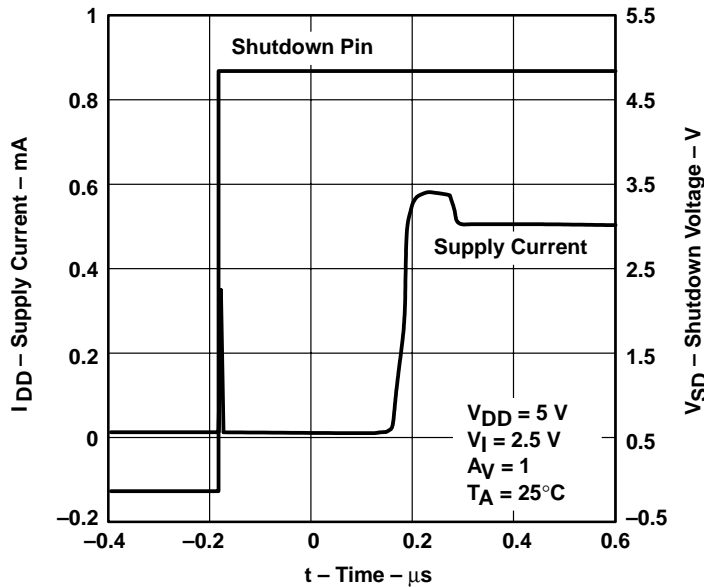
**Figure 22**

**AMPLIFIER WITH A SHUTDOWN PULSE  
TURNOFF CHARACTERISTICS**



**Figure 23**

**SUPPLY CURRENT WITH A SHUTDOWN PULSE  
TURNON CHARACTERISTICS**



**Figure 24**



TYPICAL CHARACTERISTICS

TURN-OFF SUPPLY CURRENT  
 WITH A SHUTDOWN PULSE

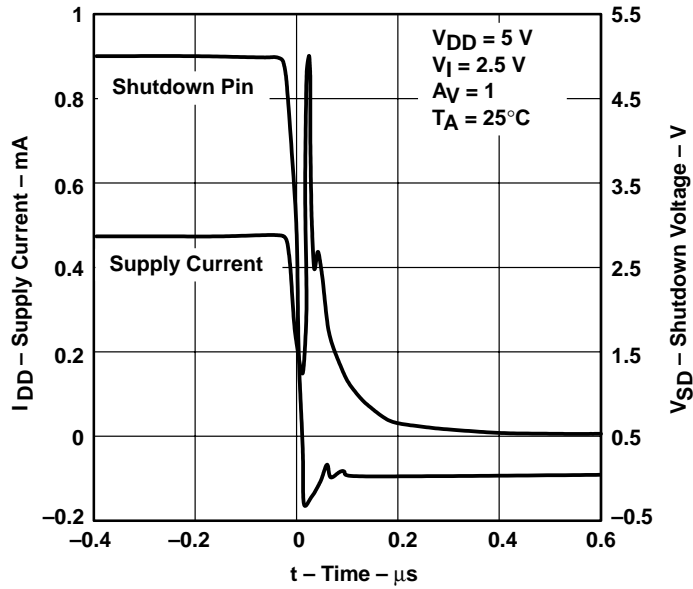


Figure 25

SHUTDOWN SUPPLY CURRENT  
 vs  
 FREE-AIR TEMPERATURE

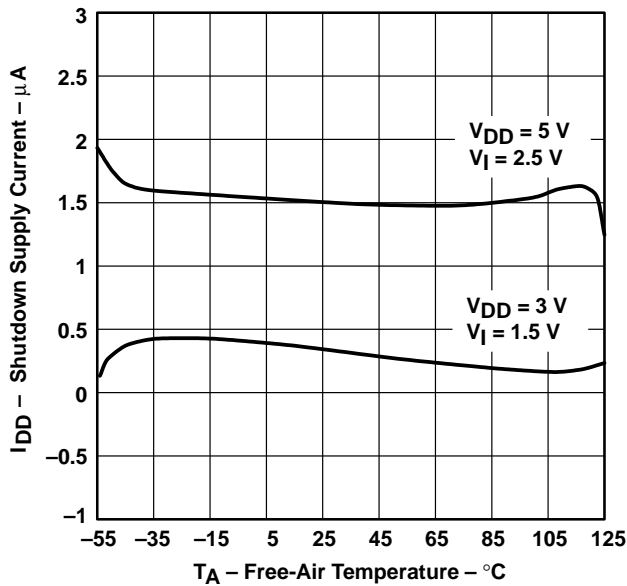


Figure 26

SLEW RATE  
 vs  
 SUPPLY VOLTAGE

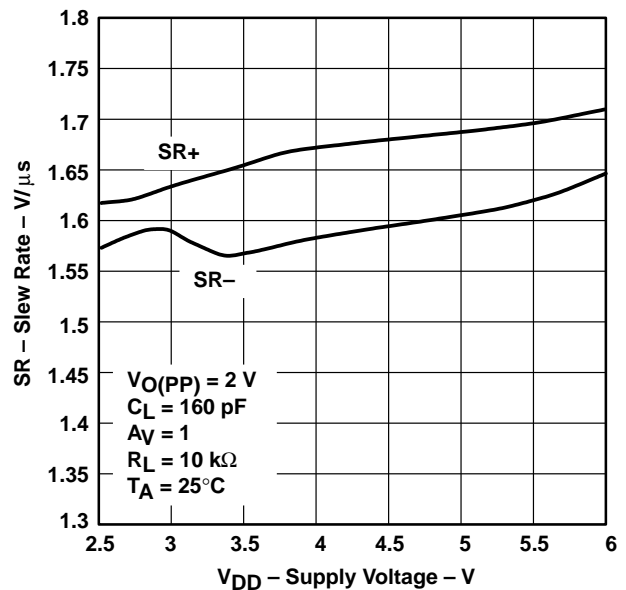


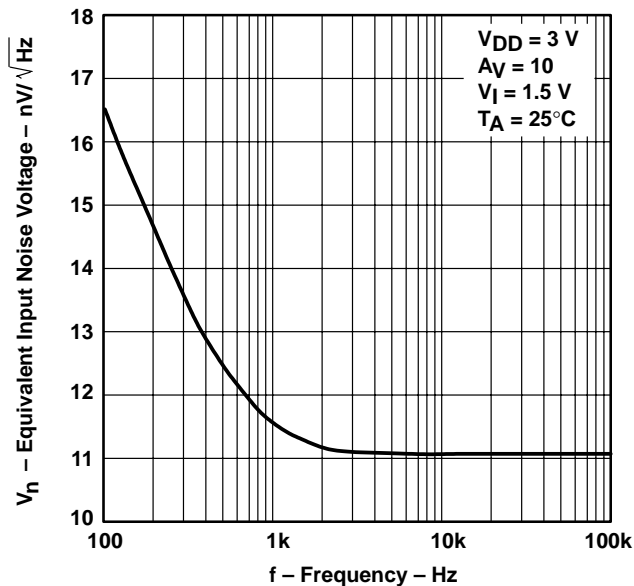
Figure 27

**TLV2460, TLV2461, TLV2462, TLV2463, TLV2464, TLV2465, TLV246xA**  
**FAMILY OF LOW-POWER RAIL-TO-RAIL INPUT/OUTPUT**  
**OPERATIONAL AMPLIFIERS WITH SHUTDOWN**

SLOS220I – JULY 1998 – REVISED MARCH 2001

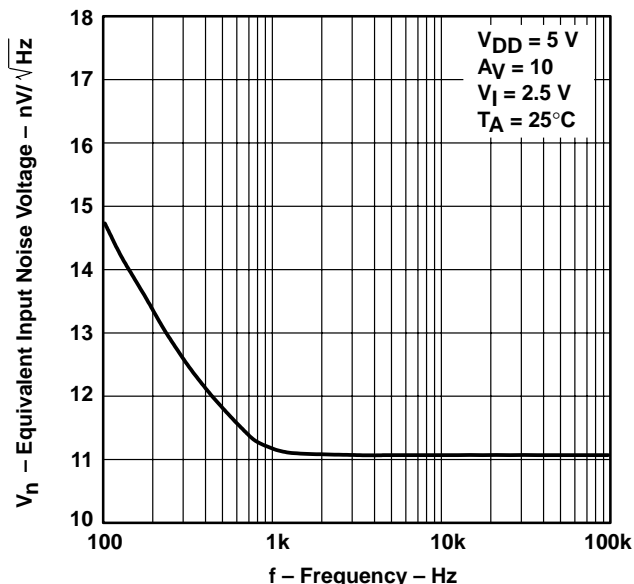
**TYPICAL CHARACTERISTICS**

**EQUIVALENT INPUT NOISE VOLTAGE**  
**VS**  
**FREQUENCY**



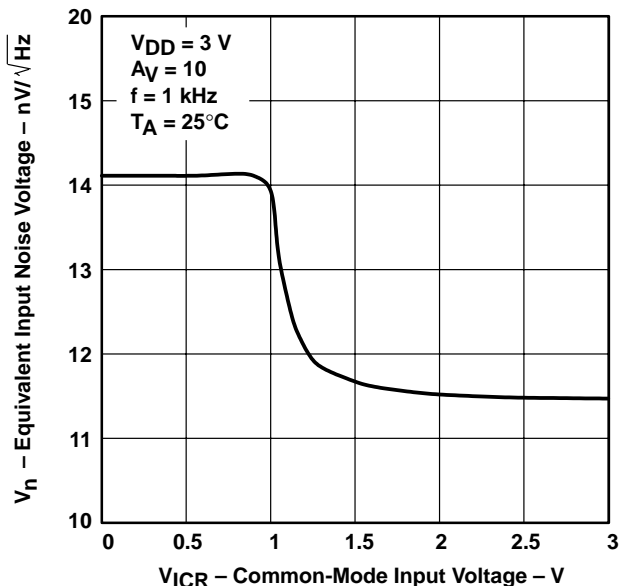
**Figure 28**

**EQUIVALENT INPUT NOISE VOLTAGE**  
**VS**  
**FREQUENCY**



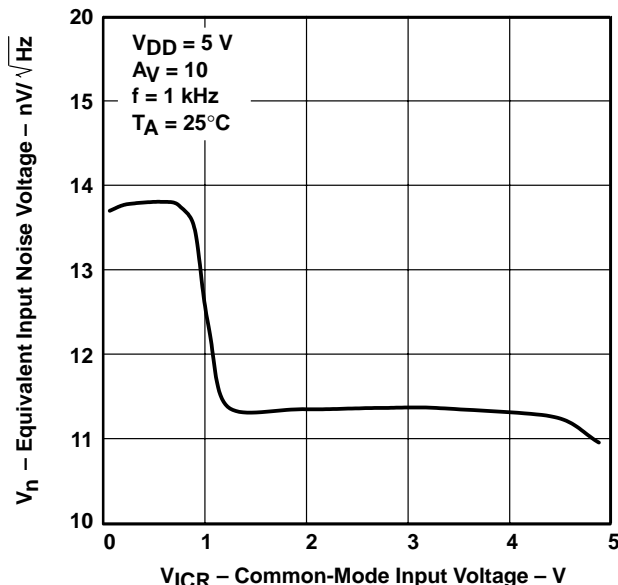
**Figure 29**

**EQUIVALENT INPUT NOISE VOLTAGE**  
**VS**  
**COMMON-MODE INPUT VOLTAGE**



**Figure 30**

**EQUIVALENT INPUT NOISE VOLTAGE**  
**VS**  
**COMMON-MODE INPUT VOLTAGE**



**Figure 31**



TLV2460, TLV2461, TLV2462, TLV2463, TLV2464, TLV2465, TLV246xA  
 FAMILY OF LOW-POWER RAIL-TO-RAIL INPUT/OUTPUT  
 OPERATIONAL AMPLIFIERS WITH SHUTDOWN

SLOS220I – JULY 1998 – REVISED MARCH 2001

TYPICAL CHARACTERISTICS

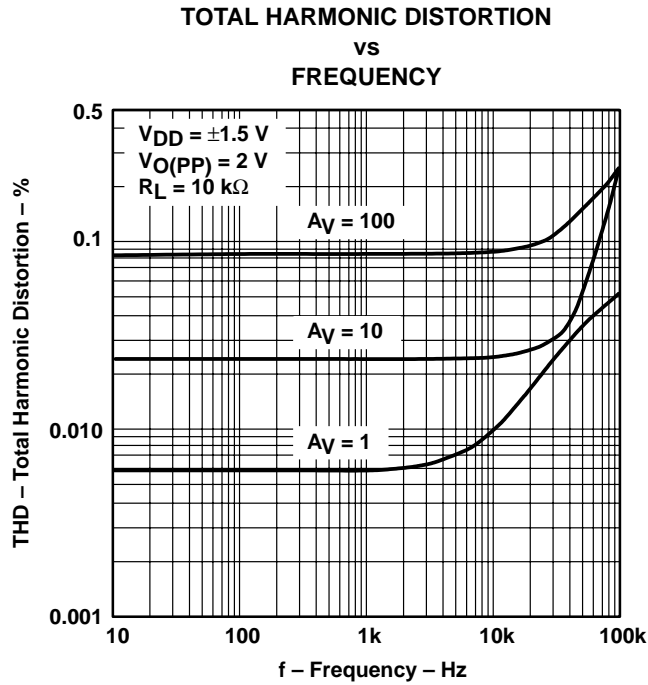


Figure 32

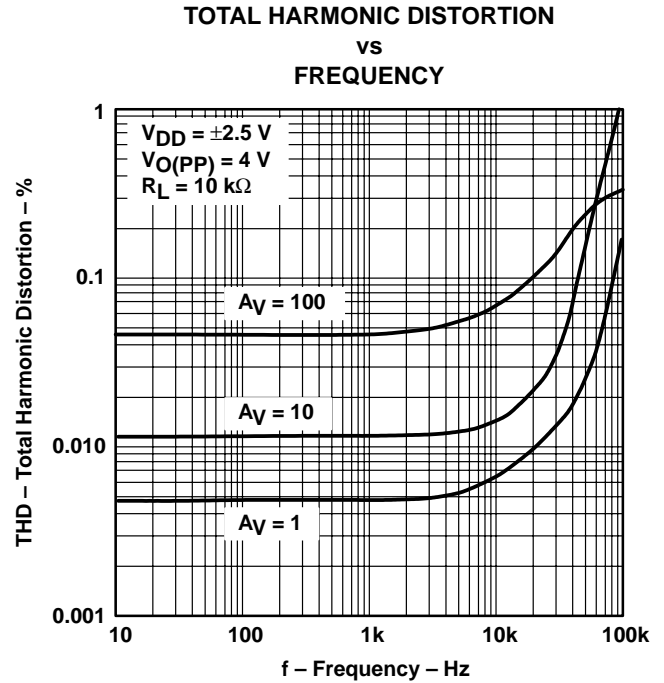


Figure 33

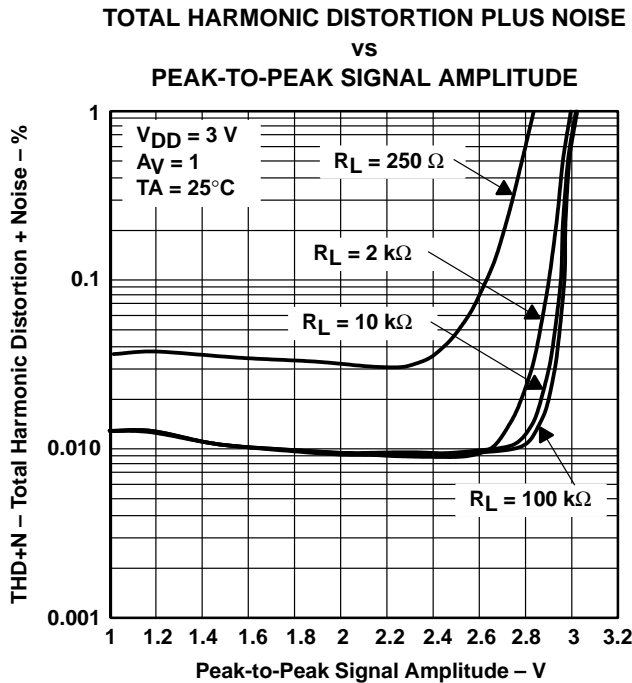


Figure 34

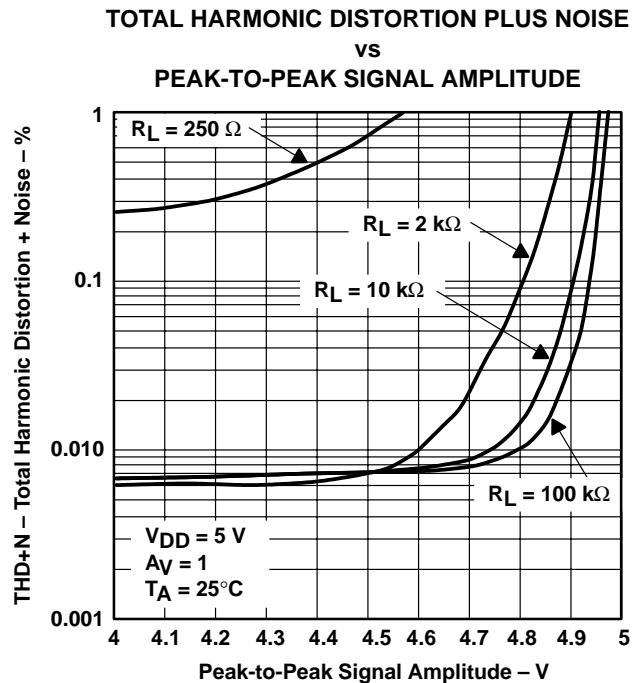


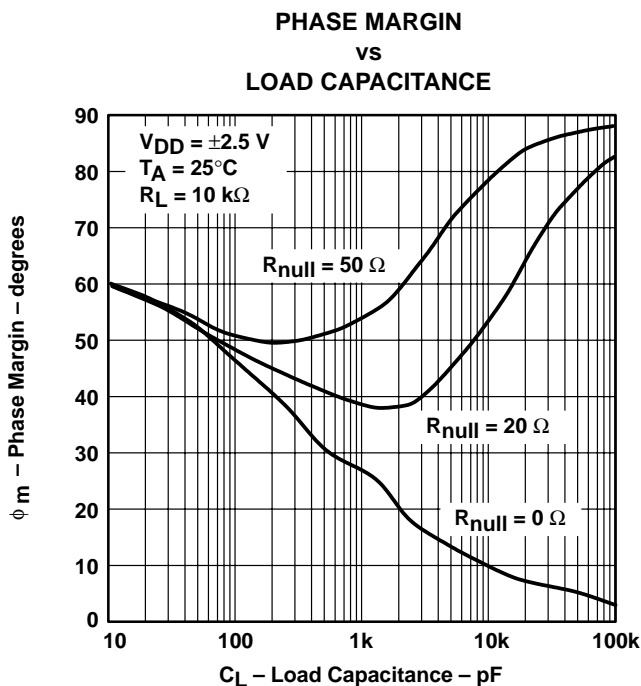
Figure 35



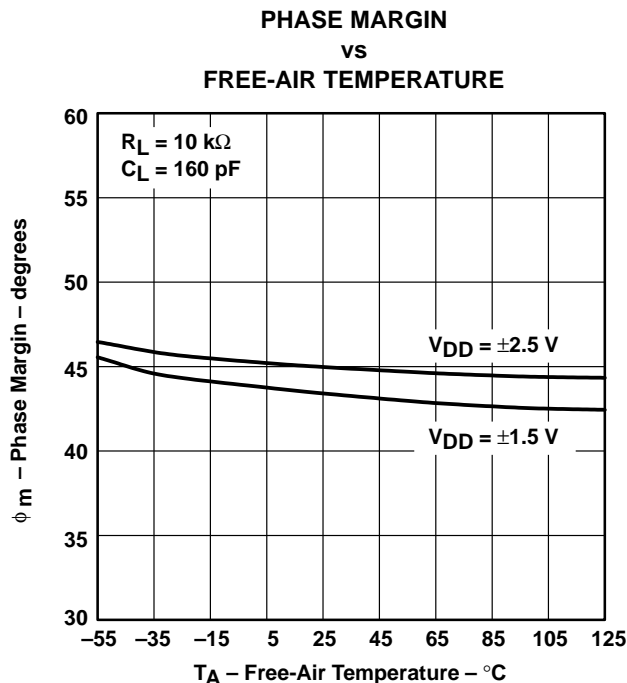
**TLV2460, TLV2461, TLV2462, TLV2463, TLV2464, TLV2465, TLV246xA**  
**FAMILY OF LOW-POWER RAIL-TO-RAIL INPUT/OUTPUT**  
**OPERATIONAL AMPLIFIERS WITH SHUTDOWN**

SLOS220I – JULY 1998 – REVISED MARCH 2001

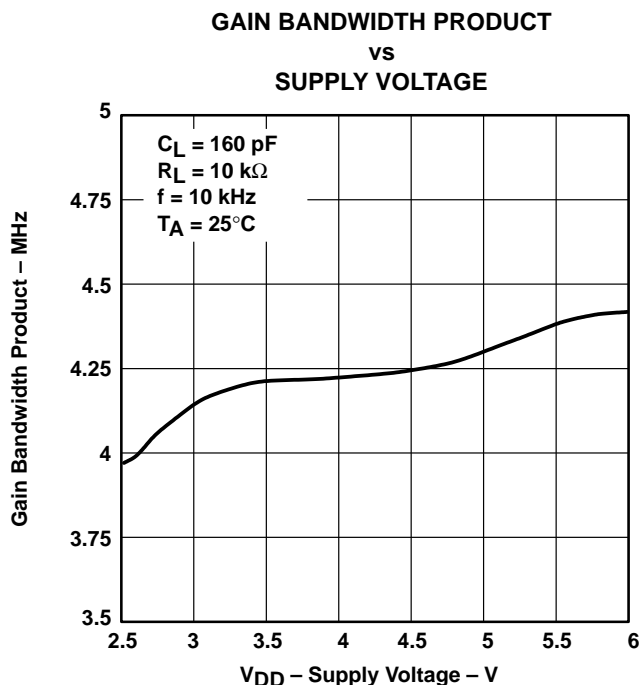
**TYPICAL CHARACTERISTICS**



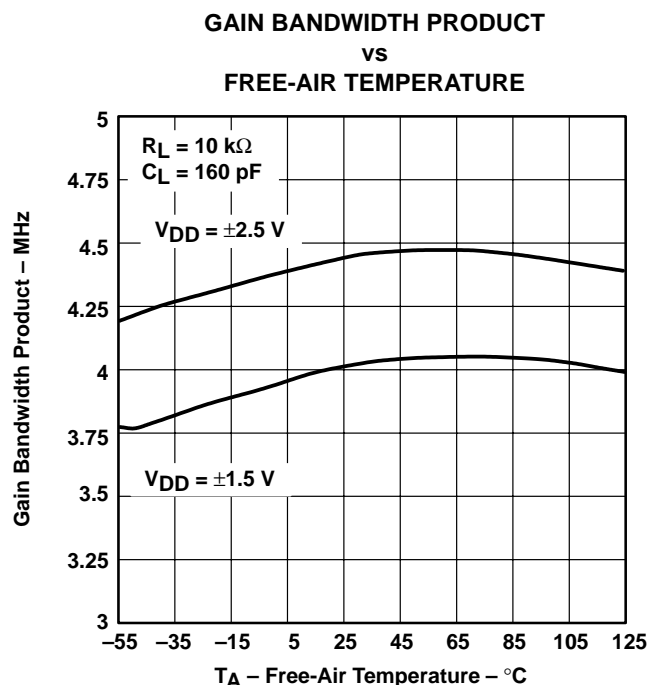
**Figure 36**



**Figure 37**



**Figure 38**



**Figure 39**



TLV2460, TLV2461, TLV2462, TLV2463, TLV2464, TLV2465, TLV246xA  
 FAMILY OF LOW-POWER RAIL-TO-RAIL INPUT/OUTPUT  
 OPERATIONAL AMPLIFIERS WITH SHUTDOWN

SLOS2201 – JULY 1998 – REVISED MARCH 2001

TYPICAL CHARACTERISTICS

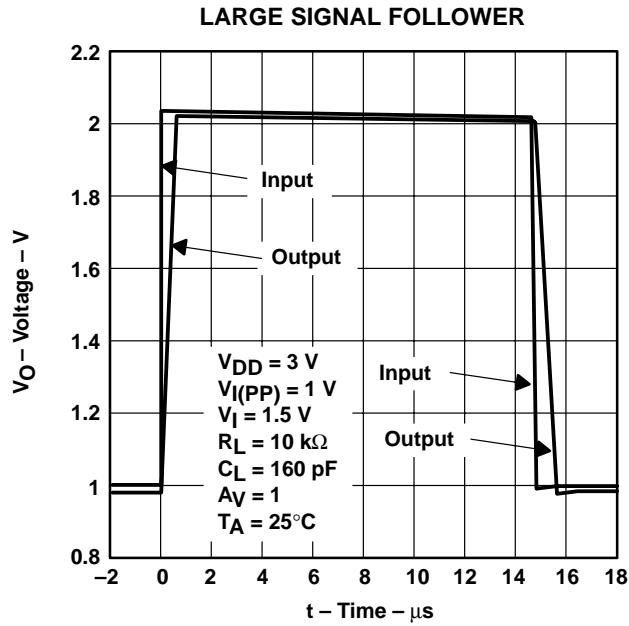


Figure 40

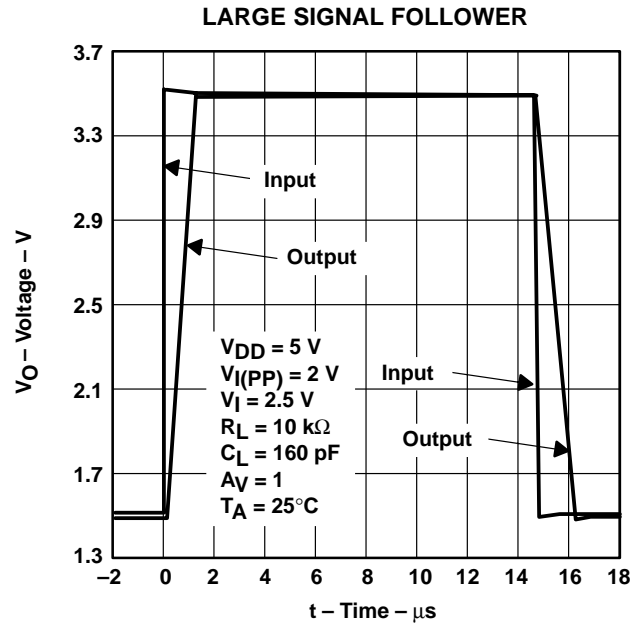


Figure 41

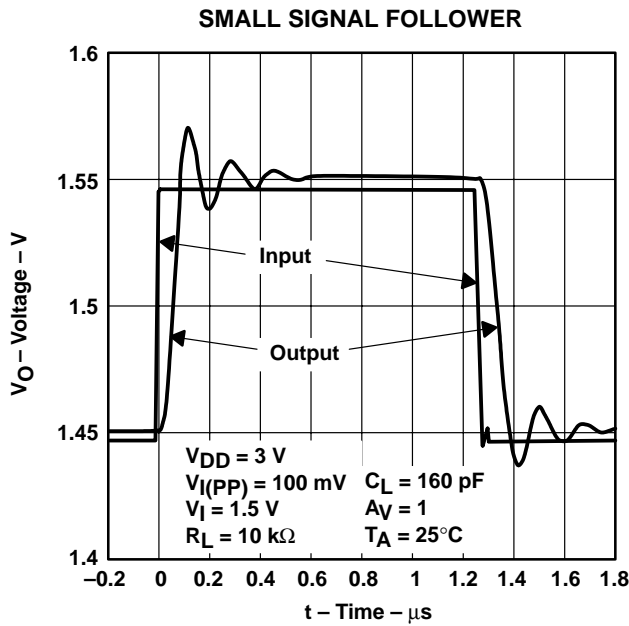


Figure 42

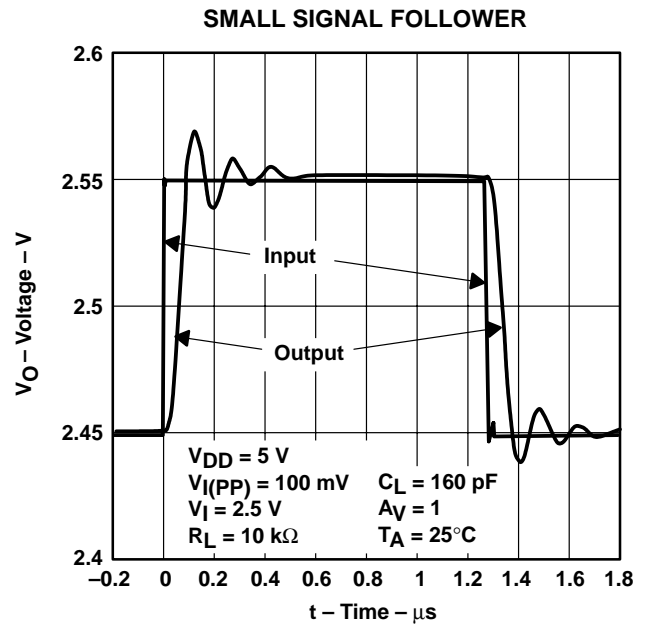
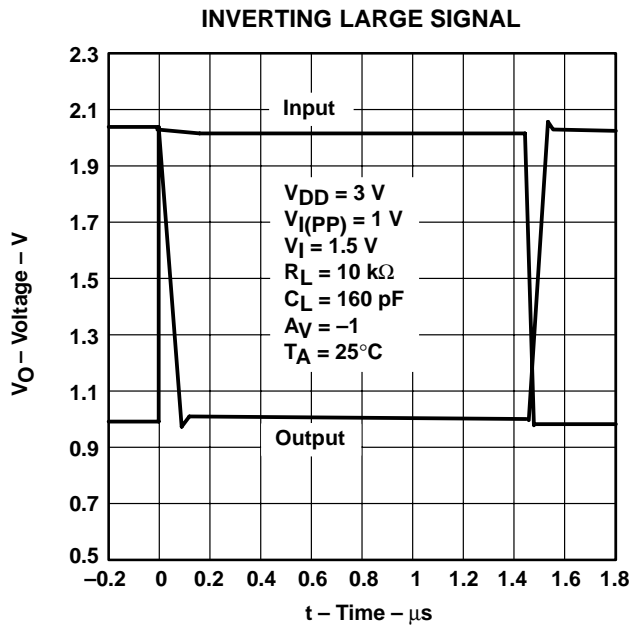


Figure 43

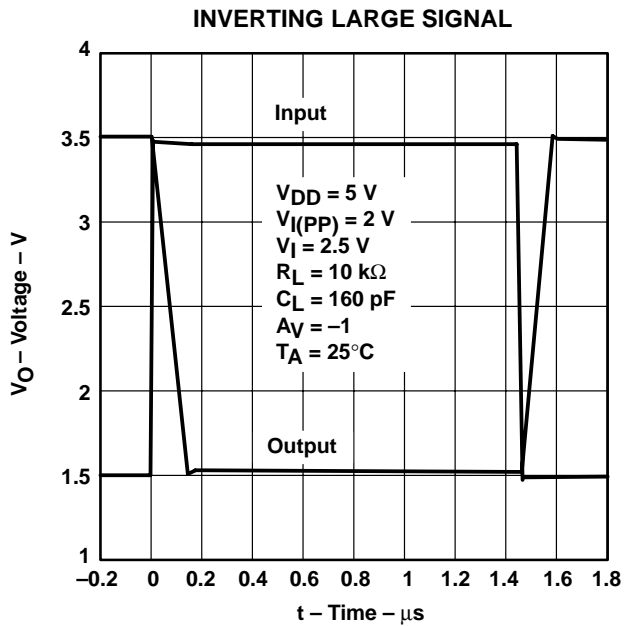
**TLV2460, TLV2461, TLV2462, TLV2463, TLV2464, TLV2465, TLV246xA**  
**FAMILY OF LOW-POWER RAIL-TO-RAIL INPUT/OUTPUT**  
**OPERATIONAL AMPLIFIERS WITH SHUTDOWN**

SLOS220I – JULY 1998 – REVISED MARCH 2001

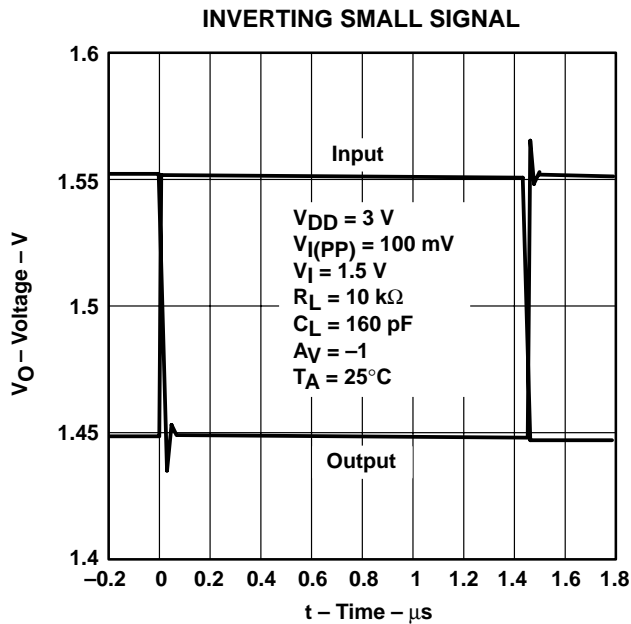
**TYPICAL CHARACTERISTICS**



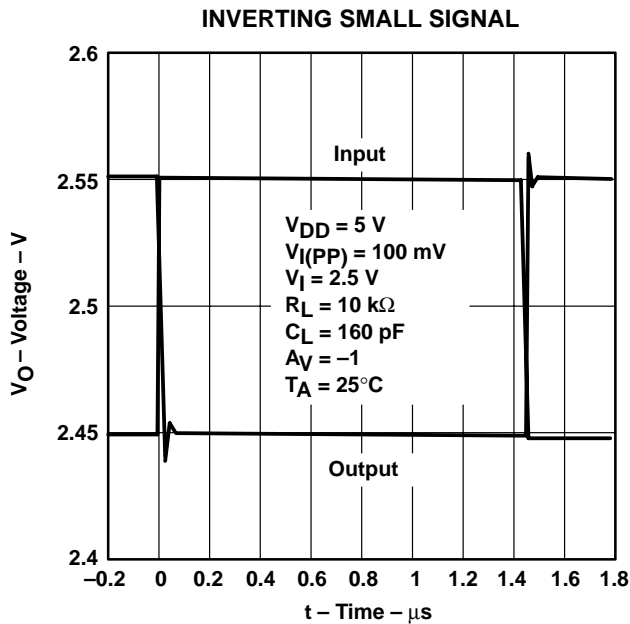
**Figure 44**



**Figure 45**



**Figure 46**



**Figure 47**





PARAMETER MEASUREMENT INFORMATION

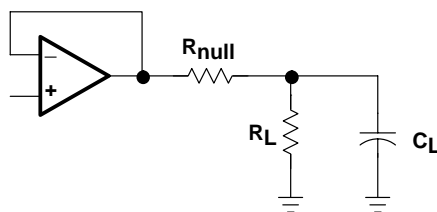


Figure 48

APPLICATION INFORMATION

driving a capacitive load

When the amplifier is configured in this manner, capacitive loading directly on the output will decrease the device's phase margin leading to high frequency ringing or oscillations. Therefore, for capacitive loads of greater than 10 pF, it is recommended that a resistor be placed in series ( $R_{NULL}$ ) with the output of the amplifier, as shown in Figure 49. A minimum value of 20  $\Omega$  should work well for most applications.

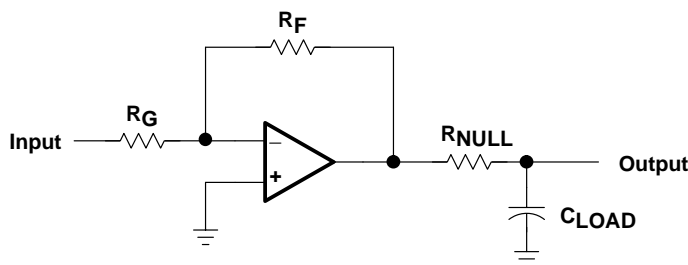


Figure 49. Driving a Capacitive Load

offset voltage

The output offset voltage, ( $V_{OO}$ ) is the sum of the input offset voltage ( $V_{IO}$ ) and both input bias currents ( $I_{IB}$ ) times the corresponding gains. The following schematic and formula can be used to calculate the output offset voltage:

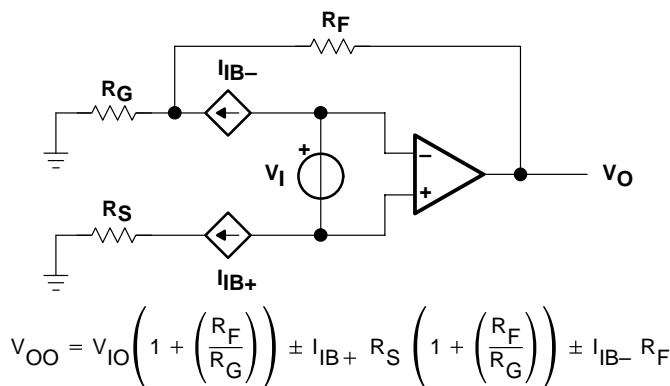
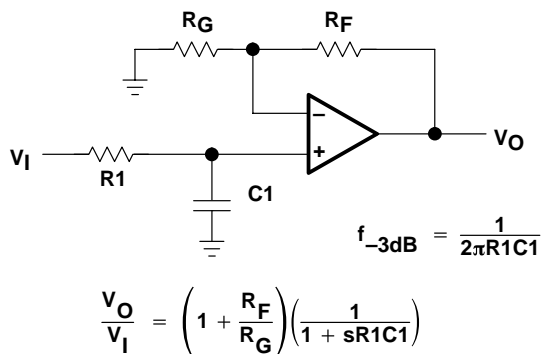


Figure 50. Output Offset Voltage Model

**APPLICATION INFORMATION**

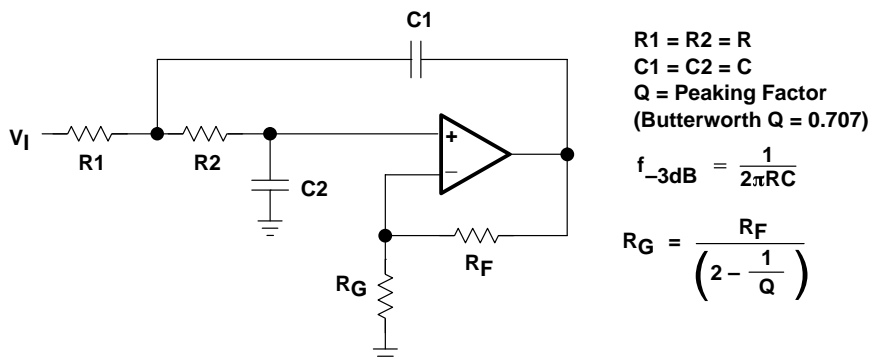
**general configurations**

When receiving low-level signals, limiting the bandwidth of the incoming signals into the system is often required. The simplest way to accomplish this is to place an RC filter at the noninverting terminal of the amplifier (see Figure 51).



**Figure 51. Single-Pole Low-Pass Filter**

If even more attenuation is needed, a multiple pole filter is required. The Sallen-Key filter can be used for this task. For best results, the amplifier should have a bandwidth that is 8 to 10 times the filter frequency bandwidth. Failure to do this can result in phase shift of the amplifier.



**Figure 52. 2-Pole Low-Pass Sallen-Key Filter**

---

## APPLICATION INFORMATION

### shutdown function

Three members of the TLV246x family (TLV2460/3/5) have a shutdown terminal for conserving battery life in portable applications. When the shutdown terminal is tied low, the supply current is reduced to 0.3  $\mu\text{A}/\text{channel}$ , the amplifier is disabled, and the outputs are placed in a high impedance mode. To enable the amplifier, the shutdown terminal can either be left floating or pulled high. When the shutdown terminal is left floating, care should be taken to ensure that parasitic leakage current at the shutdown terminal does not inadvertently place the operational amplifier into shutdown. The shutdown terminal threshold is always referenced to  $V_{DD}/2$ . Therefore, when operating the device with split supply voltages (e.g.  $\pm 2.5\text{ V}$ ), the shutdown terminal needs to be pulled to  $V_{DD-}$  (not GND) to disable the operational amplifier.

The amplifier's output with a shutdown pulse is shown in Figures 22, 23, 24, and 25. The amplifier is powered with a single 5-V supply and configured as a noninverting configuration with a gain of 5. The amplifier turnon and turnoff times are measured from the 50% point of the shutdown pulse to the 50% point of the output waveform. The times for the single, dual, and quad are listed in the data tables.

### circuit layout considerations

To achieve the levels of high performance of the TLV246x, follow proper printed-circuit board design techniques. A general set of guidelines is given in the following.

- Ground planes – It is highly recommended that a ground plane be used on the board to provide all components with a low inductive ground connection. However, in the areas of the amplifier inputs and output, the ground plane can be removed to minimize the stray capacitance.
- Proper power supply decoupling – Use a 6.8- $\mu\text{F}$  tantalum capacitor in parallel with a 0.1- $\mu\text{F}$  ceramic capacitor on each supply terminal. It may be possible to share the tantalum among several amplifiers depending on the application, but a 0.1- $\mu\text{F}$  ceramic capacitor should always be used on the supply terminal of every amplifier. In addition, the 0.1- $\mu\text{F}$  capacitor should be placed as close as possible to the supply terminal. As this distance increases, the inductance in the connecting trace makes the capacitor less effective. The designer should strive for distances of less than 0.1 inches between the device power terminals and the ceramic capacitors.
- Sockets – Sockets can be used but are not recommended. The additional lead inductance in the socket pins will often lead to stability problems. Surface-mount packages soldered directly to the printed-circuit board is the best implementation.
- Short trace runs/compact part placements – Optimum high performance is achieved when stray series inductance has been minimized. To realize this, the circuit layout should be made as compact as possible, thereby minimizing the length of all trace runs. Particular attention should be paid to the inverting input of the amplifier. Its length should be kept as short as possible. This will help to minimize stray capacitance at the input of the amplifier.
- Surface-mount passive components – Using surface-mount passive components is recommended for high performance amplifier circuits for several reasons. First, because of the extremely low lead inductance of surface-mount components, the problem with stray series inductance is greatly reduced. Second, the small size of surface-mount components naturally leads to a more compact layout thereby minimizing both stray inductance and capacitance. If leaded components are used, it is recommended that the lead lengths be kept as short as possible.

**TLV2460, TLV2461, TLV2462, TLV2463, TLV2464, TLV2465, TLV246xA**  
**FAMILY OF LOW-POWER RAIL-TO-RAIL INPUT/OUTPUT**  
**OPERATIONAL AMPLIFIERS WITH SHUTDOWN**

SLOS220I – JULY 1998 – REVISED MARCH 2001

**APPLICATION INFORMATION**

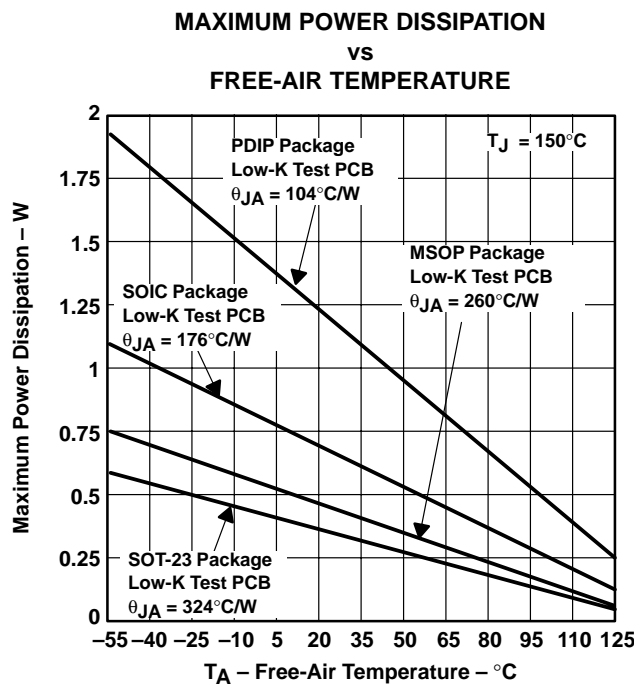
**general power dissipation considerations**

For a given  $\theta_{JA}$ , the maximum power dissipation is shown in Figure 53 and is calculated by the following formula:

$$P_D = \left( \frac{T_{MAX} - T_A}{\theta_{JA}} \right)$$

Where:

- $P_D$  = Maximum power dissipation of THS246x IC (watts)
- $T_{MAX}$  = Absolute maximum junction temperature (150°C)
- $T_A$  = Free-ambient air temperature (°C)
- $\theta_{JA}$  =  $\theta_{JC} + \theta_{CA}$
- $\theta_{JC}$  = Thermal coefficient from junction to case
- $\theta_{CA}$  = Thermal coefficient from case to ambient air (°C/W)



NOTE A: Results are with no air flow and using JEDEC Standard Low-K test PCB.

**Figure 53. Maximum Power Dissipation vs Free-Air Temperature**



# TLV2460, TLV2461, TLV2462, TLV2463, TLV2464, TLV2465, TLV246xA FAMILY OF LOW-POWER RAIL-TO-RAIL INPUT/OUTPUT OPERATIONAL AMPLIFIERS WITH SHUTDOWN

SLOS2201 – JULY 1998 – REVISED MARCH 2001

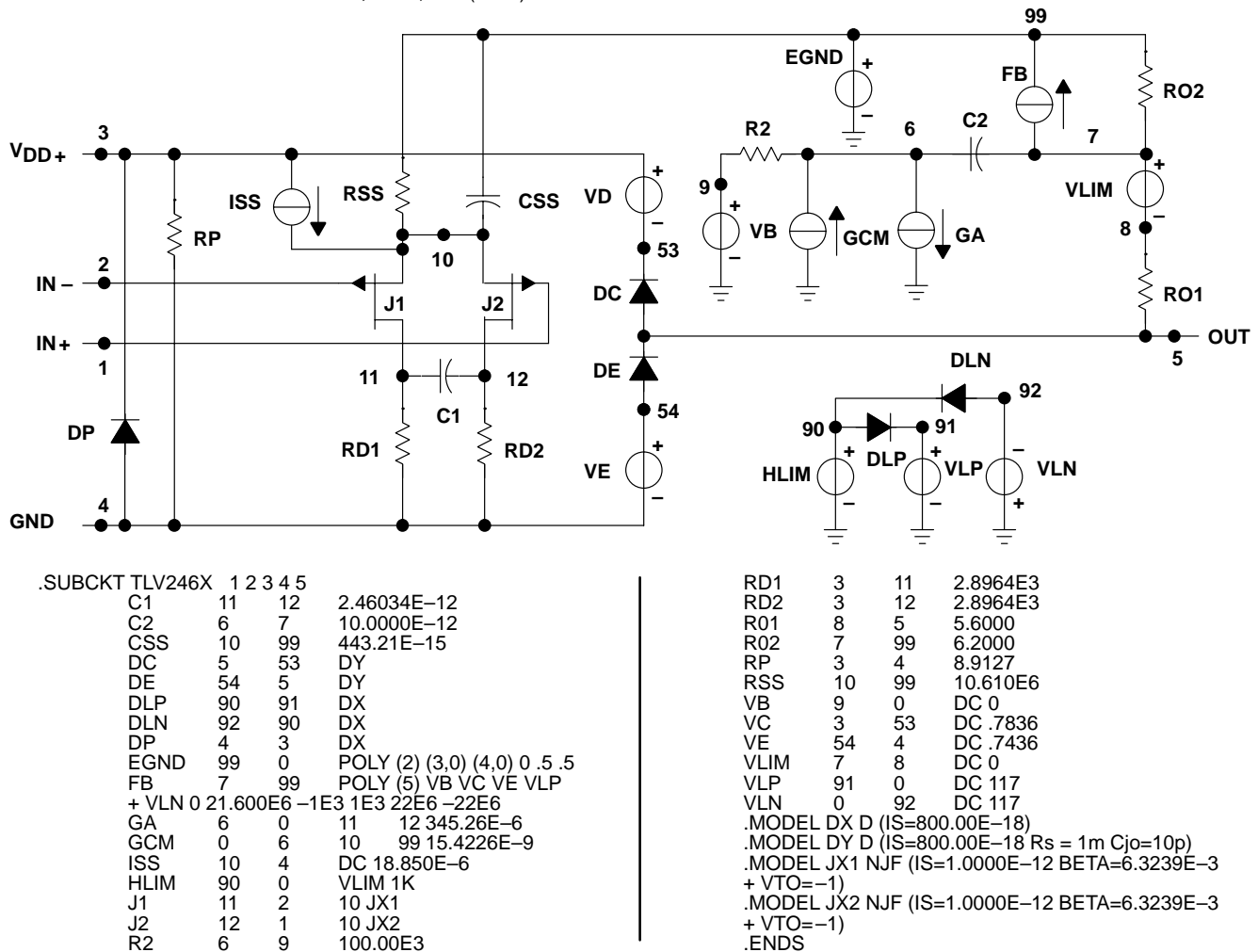
## APPLICATION INFORMATION

### macromodel information

Macromodel information provided was derived using Microsim *Parts*™ Release 8, the model generation software used with Microsim *PSpice*™. The Boyle macromodel (see Note 2) and subcircuit in Figure 54 are generated using the TLV246x typical electrical and operating characteristics at  $T_A = 25^\circ\text{C}$ . Using this information, output simulations of the following key parameters can be generated to a tolerance of 20% (in most cases):

- Maximum positive output voltage swing
- Maximum negative output voltage swing
- Slew rate
- Quiescent power dissipation
- Input bias current
- Open-loop voltage amplification
- Unity-gain frequency
- Common-mode rejection ratio
- Phase margin
- DC output resistance
- AC output resistance
- Short-circuit output current limit

NOTE 2: G. R. Boyle, B. M. Cohn, D. O. Pederson, and J. E. Solomon, "Macromodeling of Integrated Circuit Operational Amplifiers", *IEEE Journal of Solid-State Circuits*, SC-9, 353 (1974).



**Figure 54. Boyle Macromodels and Subcircuit**

*PSpice* and *Parts* are trademarks of MicroSim Corporation.



**TLV2460, TLV2461, TLV2462, TLV2463, TLV2464, TLV2465, TLV246xA**  
**FAMILY OF LOW-POWER RAIL-TO-RAIL INPUT/OUTPUT**  
**OPERATIONAL AMPLIFIERS WITH SHUTDOWN**

SLOS220I – JULY 1998 – REVISED MARCH 2001

**macromodel information (continued)**

|                                       |   |    |    |          |
|---------------------------------------|---|----|----|----------|
| .subckt TLV_246Y 1 2 3 4 5 6          | rp  | 3  | 71 | 8.9127   |
| c1 11 12 2.4603E-12                   | rss   | 10 | 99 | 10.610E6 |
| c2 72 7 10.000E-12                    | rs1   | 6  | 4  | 1G       |
| css 10 99 443.21E-15                  | rs2   | 6  | 4  | 1G       |
| dc 70 53 dy                           | rs3   | 6  | 4  | 1G       |
| de 54 70 dy                           | rs4   | 6  | 4  | 1G       |
| dip 90 91 dx                          | s1  | 71 | 4  | 6 4 s1x  |
| dln 92 90 dx                          | s2  | 70 | 5  | 6 4 s1x  |
| dp 4 3 dx                             | s3  | 10 | 74 | 6 4 s1x  |
| egnd 99 0 poly(2) (3,0) (4,0) 0 .5 .5 | s4  | 74 | 4  | 6 4 s2x  |
| fb 7 99 poly(5) vb vc ve vlp vln 0    | vb  | 9  | 0  | dc 0     |
| 21.600E6 -1E3 1E3 22E6 -22E6          | vc  | 3  | 53 | dc .7836 |
| ga 72 0 11 12 345.26E-6               | ve  | 54 | 4  | dc .7436 |
| gcm 0 72 10 99 15.422E-9              | vlim  | 7  | 8  | dc 0     |
| iss 74 4 dc 18.850E-6                 | vlp   | 91 | 0  | dc 117   |
| hlim 90 0 vlim 1K                     | vln   | 0  | 92 | dc 117   |
| j1 11 2 10 jx1                        | .model dx D(Is=800.00E-18)                            |    |    |          |
| j2 12 1 10 jx2                        | .model dy D(Is=800.00E-18 Rs=1m Cjo=10p)              |    |    |          |
| r2 72 9 100.00E3                      | .model jx1 NJF(Is=1.0000E-12 Beta=6.3239E-3 Vto=-1)   |    |    |          |
| rd1 3 11 2.8964E3                     | .model jx2 NJF(Is=1.0000E-12 Beta=6.3239E-3 Vto=-1)   |    |    |          |
| rd2 3 12 2.8964E3                     | .model s1x VSWITCH(Roff=1E8 Ron=1.0 Voff=2.5 Von=0.0) |    |    |          |
| ro1 8 70 5.6000                       | .model s2x VSWITCH(Roff=1E8 Ron=1.0 Voff=0 Von=2.5)   |    |    |          |
| ro2 7 99 6.2000                       | .ends   |    |    |          |

**Figure 54. Boyle Macromodels and Subcircuit (Continued)**



TLV2460, TLV2461, TLV2462, TLV2463, TLV2464, TLV2465, TLV246xA  
 FAMILY OF LOW-POWER RAIL-TO-RAIL INPUT/OUTPUT  
 OPERATIONAL AMPLIFIERS WITH SHUTDOWN

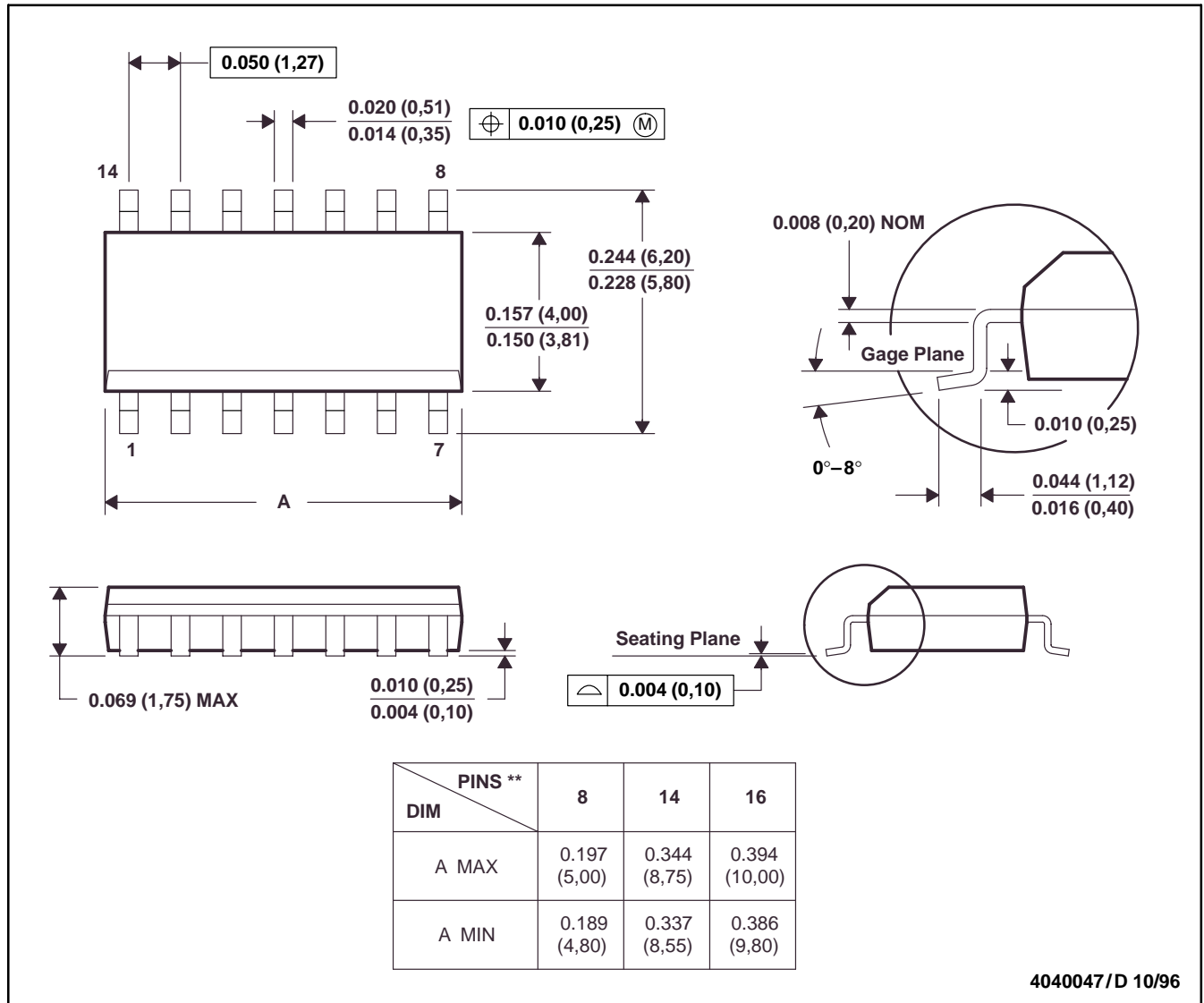
SLOS220I – JULY 1998 – REVISED MARCH 2001

MECHANICAL DATA

D (R-PDSO-G\*\*)

PLASTIC SMALL-OUTLINE PACKAGE

14 PIN SHOWN



- NOTES: A. All linear dimensions are in inches (millimeters).  
 B. This drawing is subject to change without notice.  
 C. Body dimensions do not include mold flash or protrusion, not to exceed 0.006 (0,15).  
 D. Falls within JEDEC MS-012

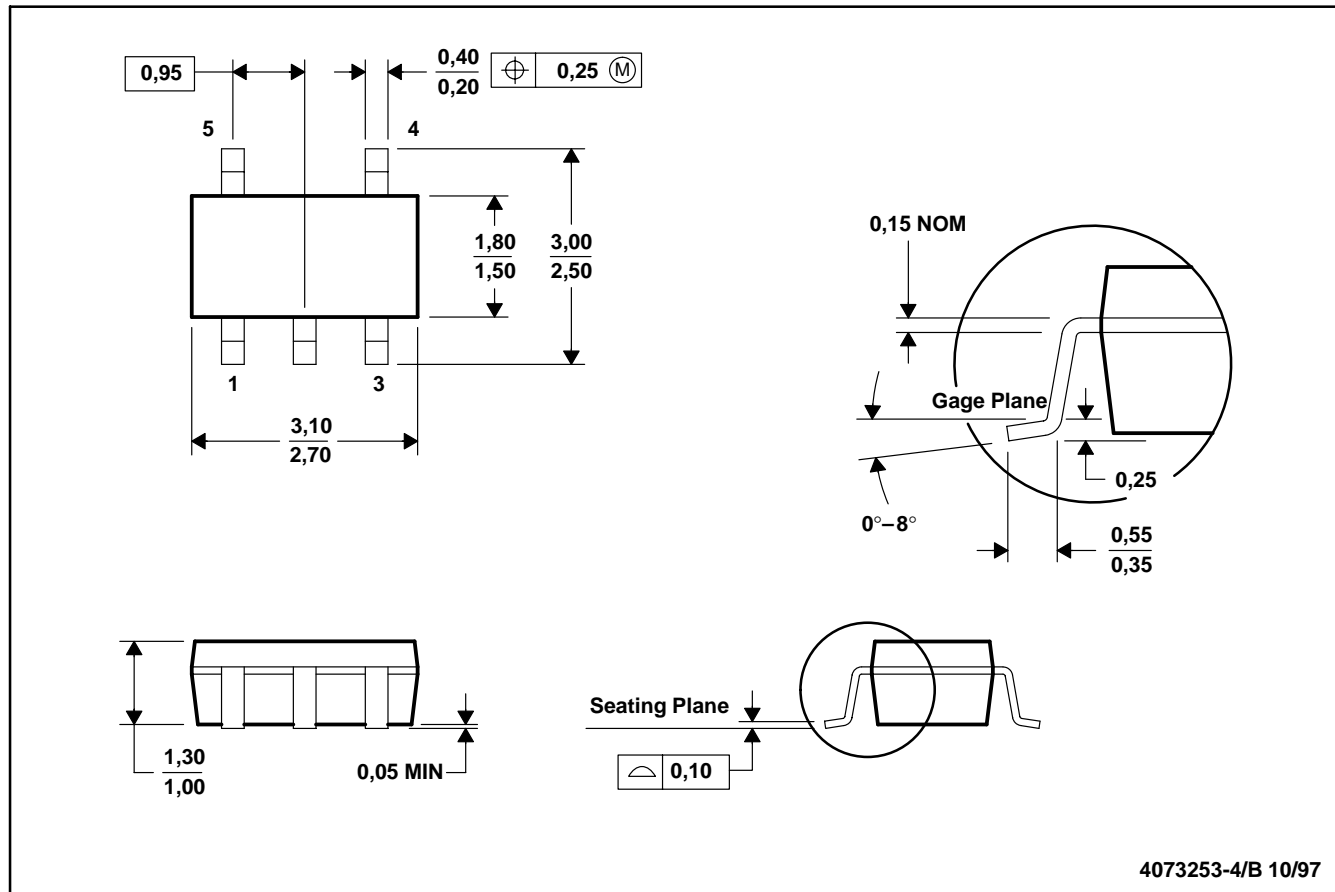
**TLV2460, TLV2461, TLV2462, TLV2463, TLV2464, TLV2465, TLV246xA**  
**FAMILY OF LOW-POWER RAIL-TO-RAIL INPUT/OUTPUT**  
**OPERATIONAL AMPLIFIERS WITH SHUTDOWN**

SLOS220I – JULY 1998 – REVISED MARCH 2001

**MECHANICAL DATA**

**DBV (R-PDSO-G5)**

**PLASTIC SMALL-OUTLINE PACKAGE**



4073253-4/B 10/97

- NOTES: A. All linear dimensions are in millimeters.  
 B. This drawing is subject to change without notice.  
 C. Body dimensions include mold flash or protrusion.



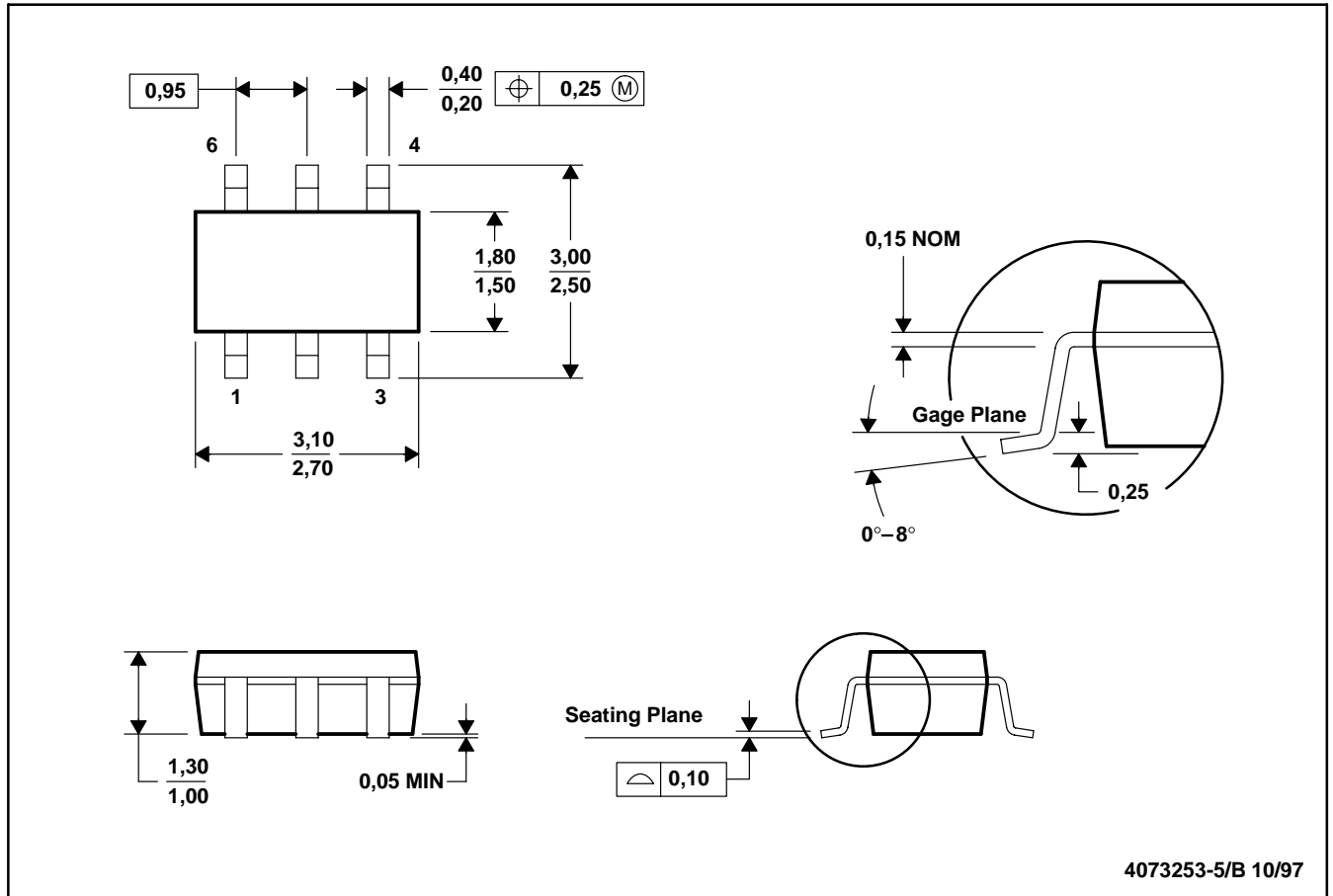
TLV2460, TLV2461, TLV2462, TLV2463, TLV2464, TLV2465, TLV246xA  
 FAMILY OF LOW-POWER RAIL-TO-RAIL INPUT/OUTPUT  
 OPERATIONAL AMPLIFIERS WITH SHUTDOWN

SLOS220I – JULY 1998 – REVISED MARCH 2001

MECHANICAL DATA

DBV (R-PDSO-G6)

PLASTIC SMALL-OUTLINE PACKAGE



- NOTES: A. All linear dimensions are in millimeters.  
 B. This drawing is subject to change without notice.  
 C. Body dimensions include mold flash or protrusion.

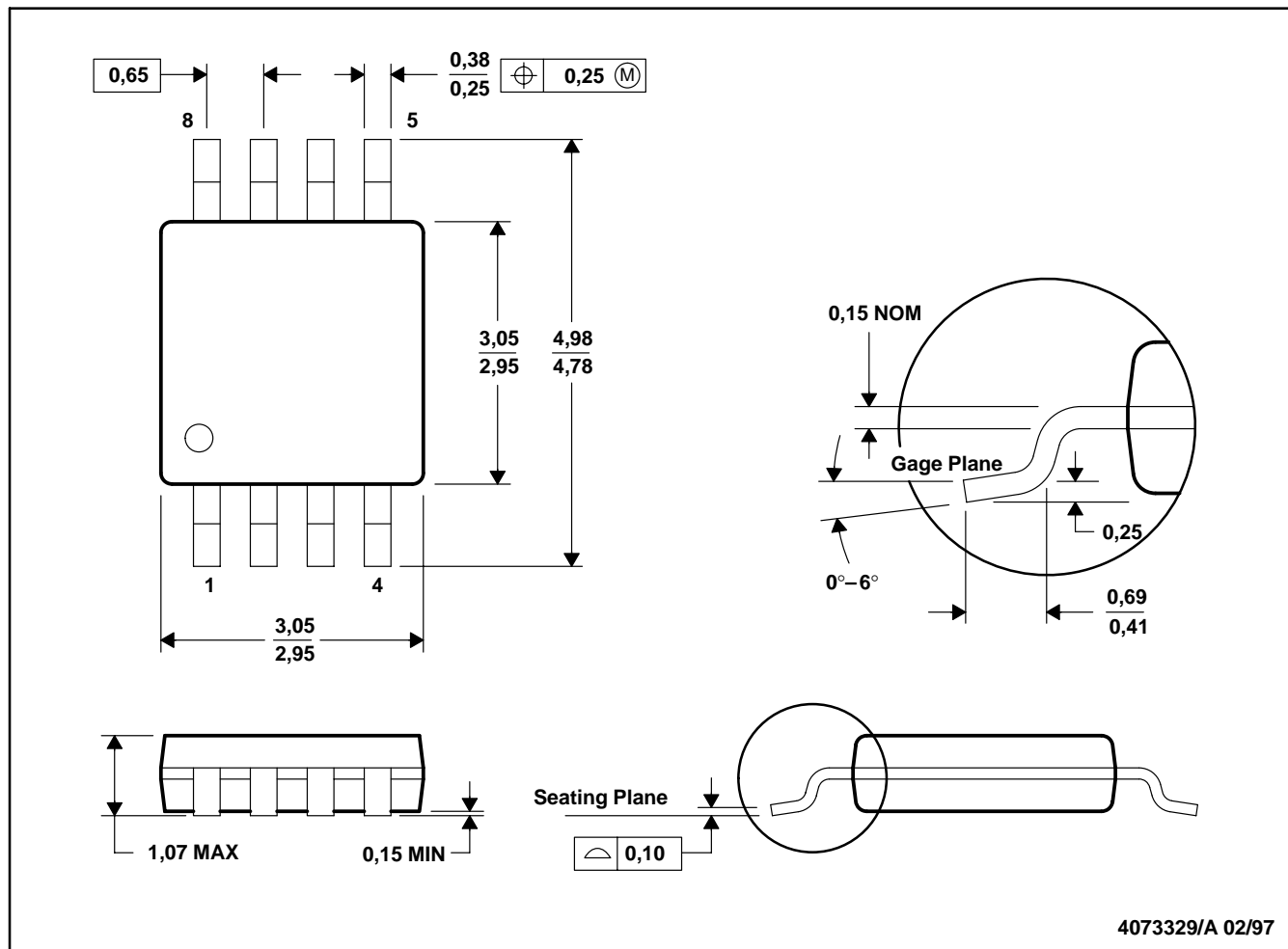
**TLV2460, TLV2461, TLV2462, TLV2463, TLV2464, TLV2465, TLV246xA**  
**FAMILY OF LOW-POWER RAIL-TO-RAIL INPUT/OUTPUT**  
**OPERATIONAL AMPLIFIERS WITH SHUTDOWN**

SLOS2201 – JULY 1998 – REVISED MARCH 2001

**MECHANICAL DATA**

**DGK (R-PDSO-G8)**

**PLASTIC SMALL-OUTLINE PACKAGE**



4073329/A 02/97

- NOTES: A. All linear dimensions are in millimeters.  
 B. This drawing is subject to change without notice.  
 C. Body dimensions do not include mold flash or protrusion.  
 D. Falls within JEDEC MO-187



POST OFFICE BOX 655303 • DALLAS, TEXAS 75265

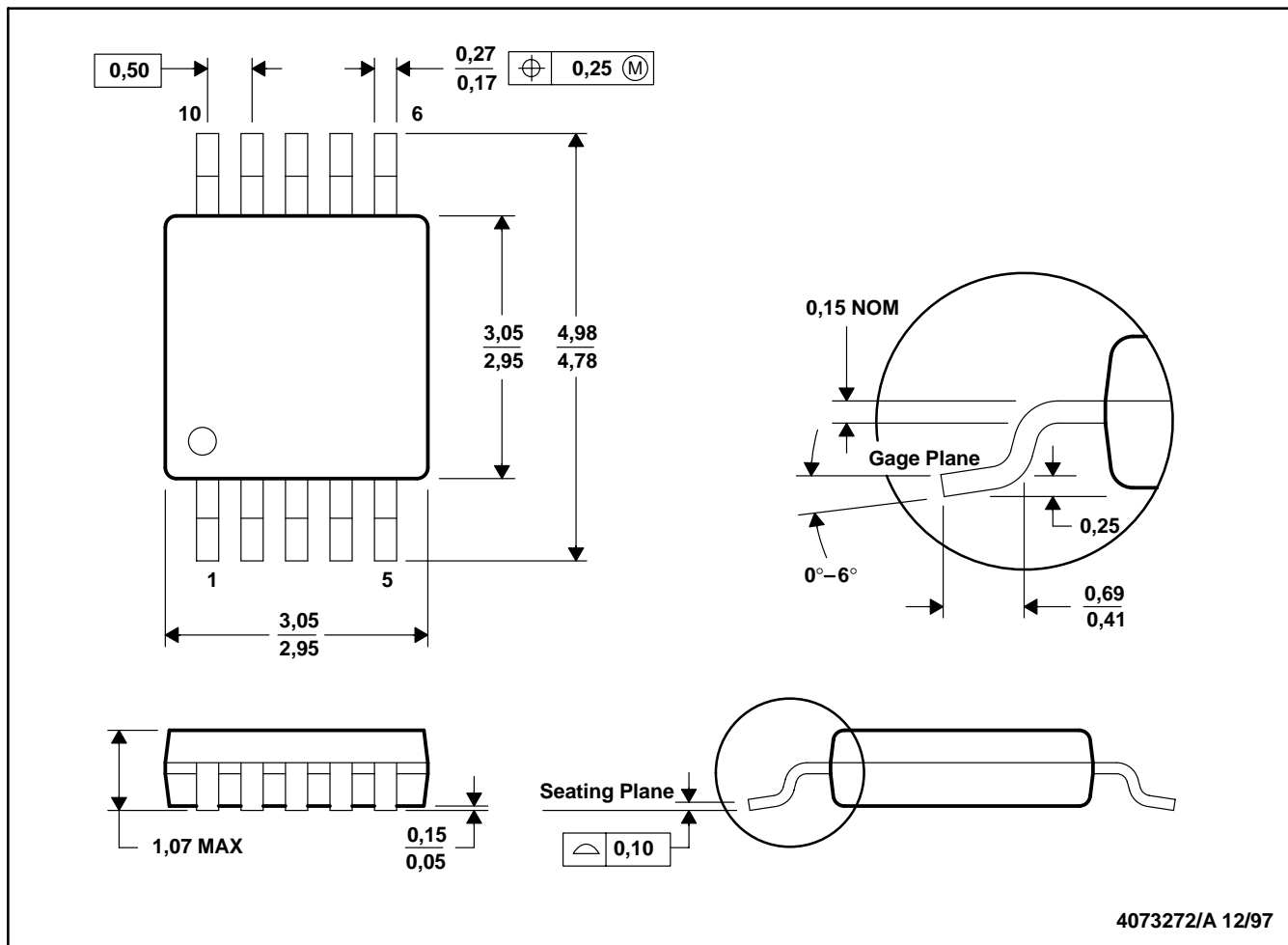
TLV2460, TLV2461, TLV2462, TLV2463, TLV2464, TLV2465, TLV246xA  
 FAMILY OF LOW-POWER RAIL-TO-RAIL INPUT/OUTPUT  
 OPERATIONAL AMPLIFIERS WITH SHUTDOWN

SLOS220I – JULY 1998 – REVISED MARCH 2001

MECHANICAL DATA

DGS (S-PDSO-G10)

PLASTIC SMALL-OUTLINE PACKAGE



- NOTES: A. All linear dimensions are in millimeters.  
 B. This drawing is subject to change without notice.  
 C. Body dimensions do not include mold flash or protrusion.

**TLV2460, TLV2461, TLV2462, TLV2463, TLV2464, TLV2465, TLV246xA**  
**FAMILY OF LOW-POWER RAIL-TO-RAIL INPUT/OUTPUT**  
**OPERATIONAL AMPLIFIERS WITH SHUTDOWN**

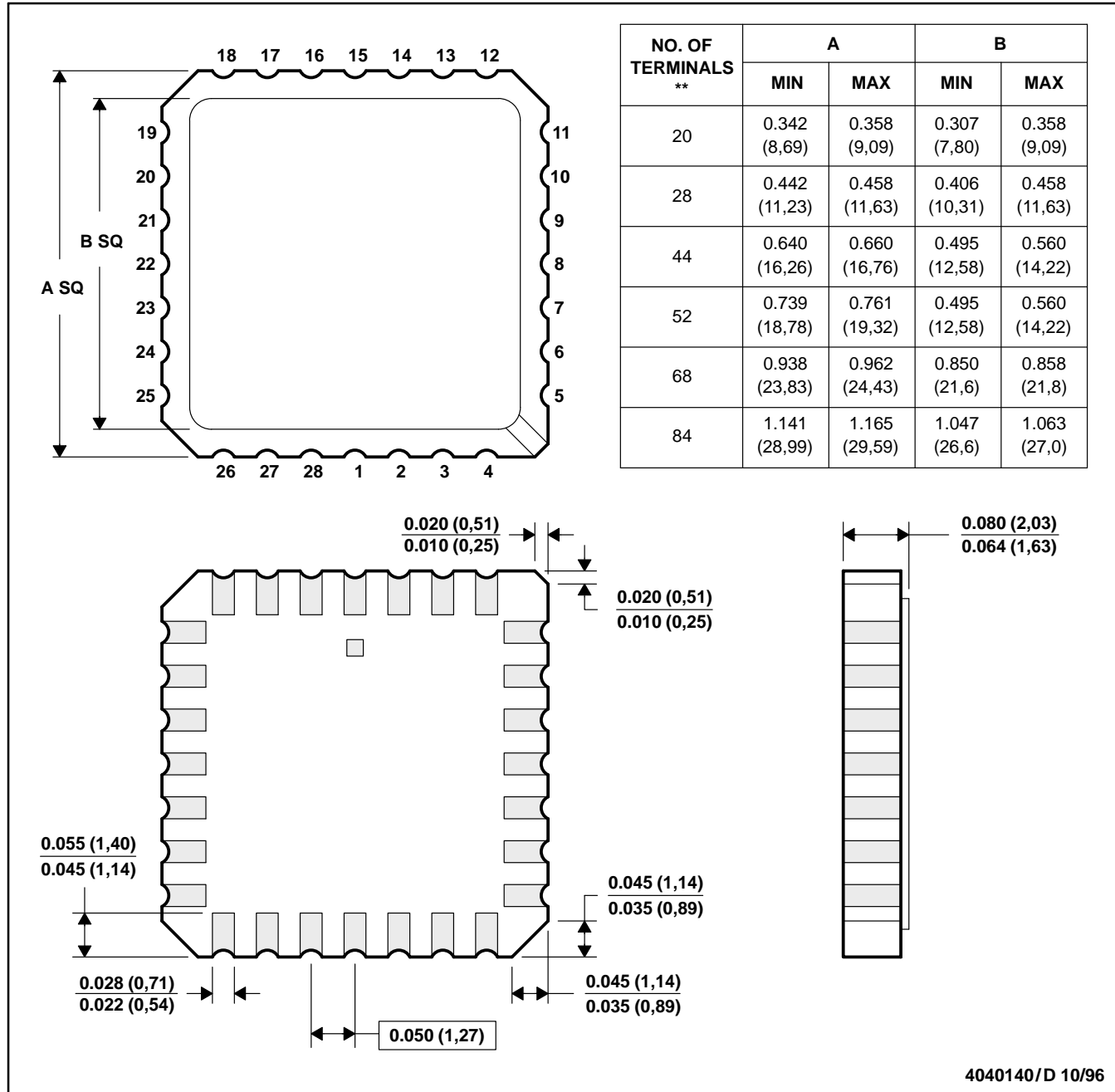
SLOS220I – JULY 1998 – REVISED MARCH 2001

**MECHANICAL DATA**

**FK (S-CQCC-N\*\*)**

**LEADLESS CERAMIC CHIP CARRIER**

28 TERMINAL SHOWN



4040140/D 10/96

- NOTES: A. All linear dimensions are in inches (millimeters).  
 B. This drawing is subject to change without notice.  
 C. This package can be hermetically sealed with a metal lid.  
 D. The terminals are gold plated.  
 E. Falls within JEDEC MS-004



POST OFFICE BOX 655303 • DALLAS, TEXAS 75265

TLV2460, TLV2461, TLV2462, TLV2463, TLV2464, TLV2465, TLV246xA  
 FAMILY OF LOW-POWER RAIL-TO-RAIL INPUT/OUTPUT  
 OPERATIONAL AMPLIFIERS WITH SHUTDOWN

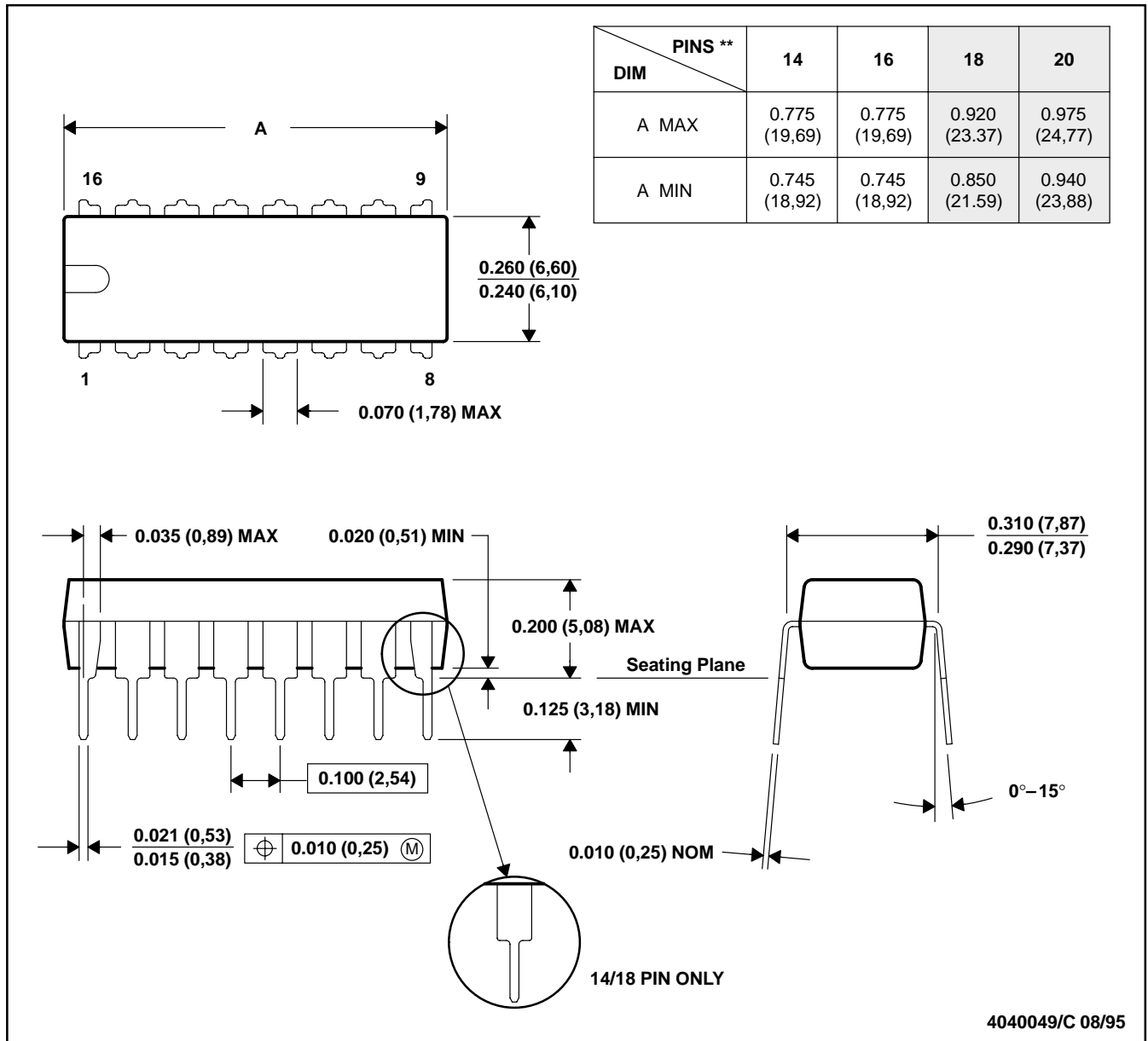
SLOS2201 – JULY 1998 – REVISED MARCH 2001

MECHANICAL DATA

N (R-PDIP-T\*\*)

PLASTIC DUAL-IN-LINE PACKAGE

16 PIN SHOWN



- NOTES: A. All linear dimensions are in inches (millimeters).  
 B. This drawing is subject to change without notice.  
 C. Falls within JEDEC MS-001 (20 pin package is shorter than MS-001.)

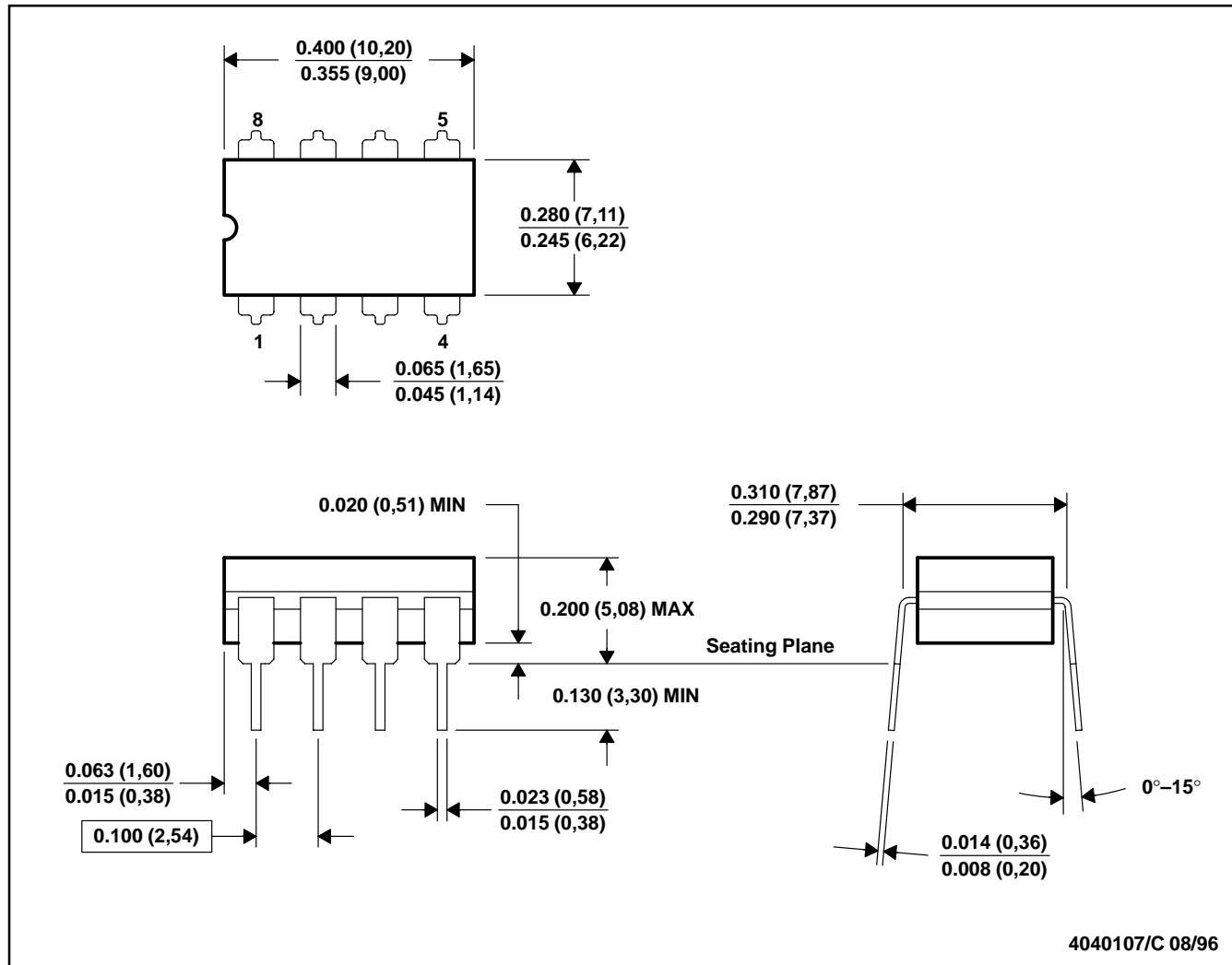
**TLV2460, TLV2461, TLV2462, TLV2463, TLV2464, TLV2465, TLV246xA**  
**FAMILY OF LOW-POWER RAIL-TO-RAIL INPUT/OUTPUT**  
**OPERATIONAL AMPLIFIERS WITH SHUTDOWN**

SLOS220I – JULY 1998 – REVISED MARCH 2001

**MECHANICAL DATA**

**JG (R-GDIP-T8)**

**CERAMIC DUAL-IN-LINE PACKAGE**



- NOTES: A. All linear dimensions are in inches (millimeters).  
 B. This drawing is subject to change without notice.  
 C. This package can be hermetically sealed with a ceramic lid using glass frit.  
 D. Index point is provided on cap for terminal identification only on press ceramic glass frit seal only.  
 E. Falls within MIL-STD-1835 GDIP1-T8



POST OFFICE BOX 655303 • DALLAS, TEXAS 75265

**TLV2460, TLV2461, TLV2462, TLV2463, TLV2464, TLV2465, TLV246xA**  
**FAMILY OF LOW-POWER RAIL-TO-RAIL INPUT/OUTPUT**  
**OPERATIONAL AMPLIFIERS WITH SHUTDOWN**

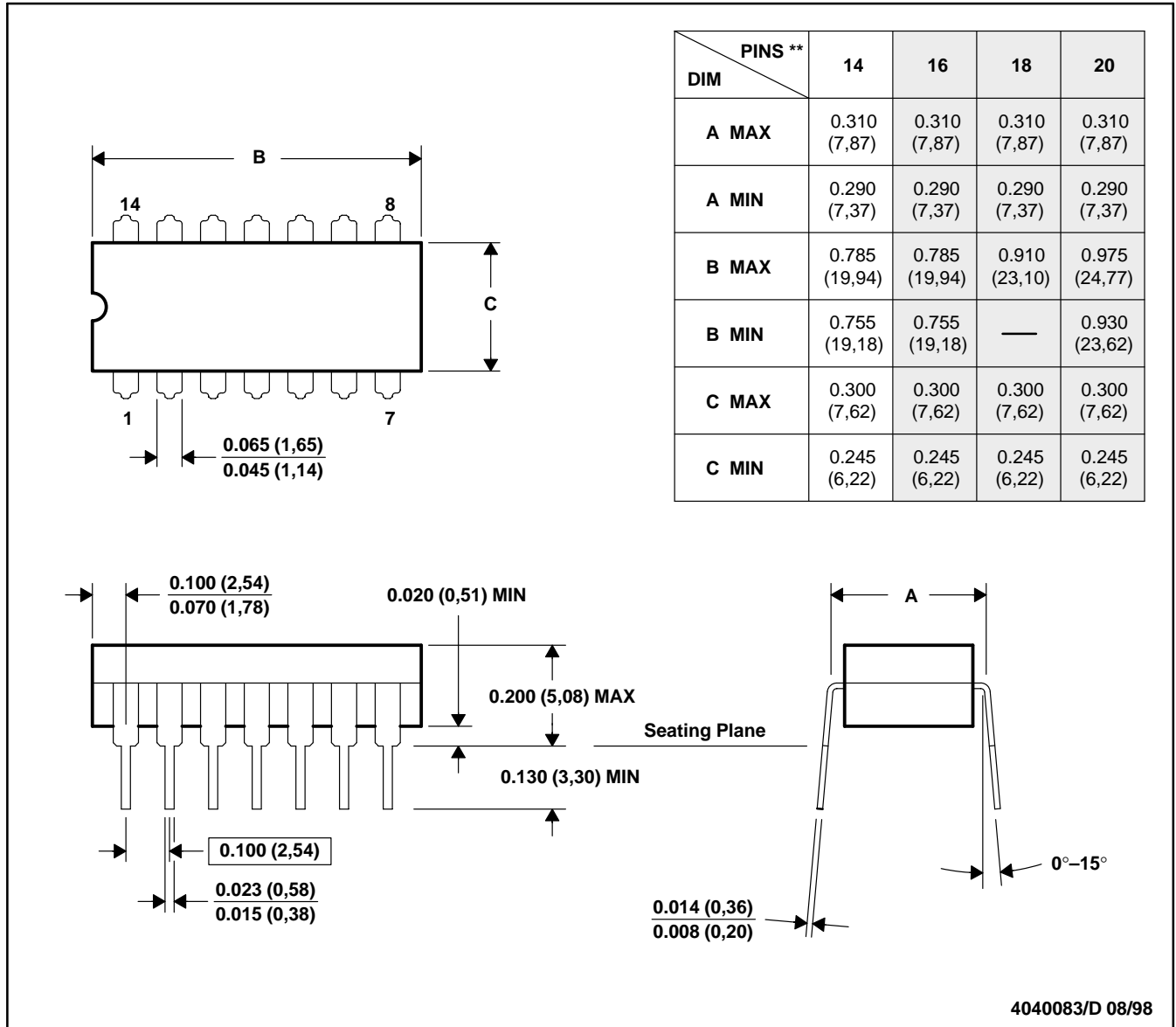
SLOS220I – JULY 1998 – REVISED MARCH 2001

**MECHANICAL DATA**

**J (R-GDIP-T\*\*)**

**CERAMIC DUAL-IN-LINE PACKAGE**

14 PIN SHOWN



- NOTES: A. All linear dimensions are in inches (millimeters).  
 B. This drawing is subject to change without notice.  
 C. This package can be hermetically sealed with a ceramic lid using glass frit.  
 D. Index point is provided on cap for terminal identification only on press ceramic glass frit seal only.  
 E. Falls within MIL STD 1835 GDIP1-T14, GDIP1-T16, GDIP1-T18, GDIP1-T20, and GDIP1-T22.

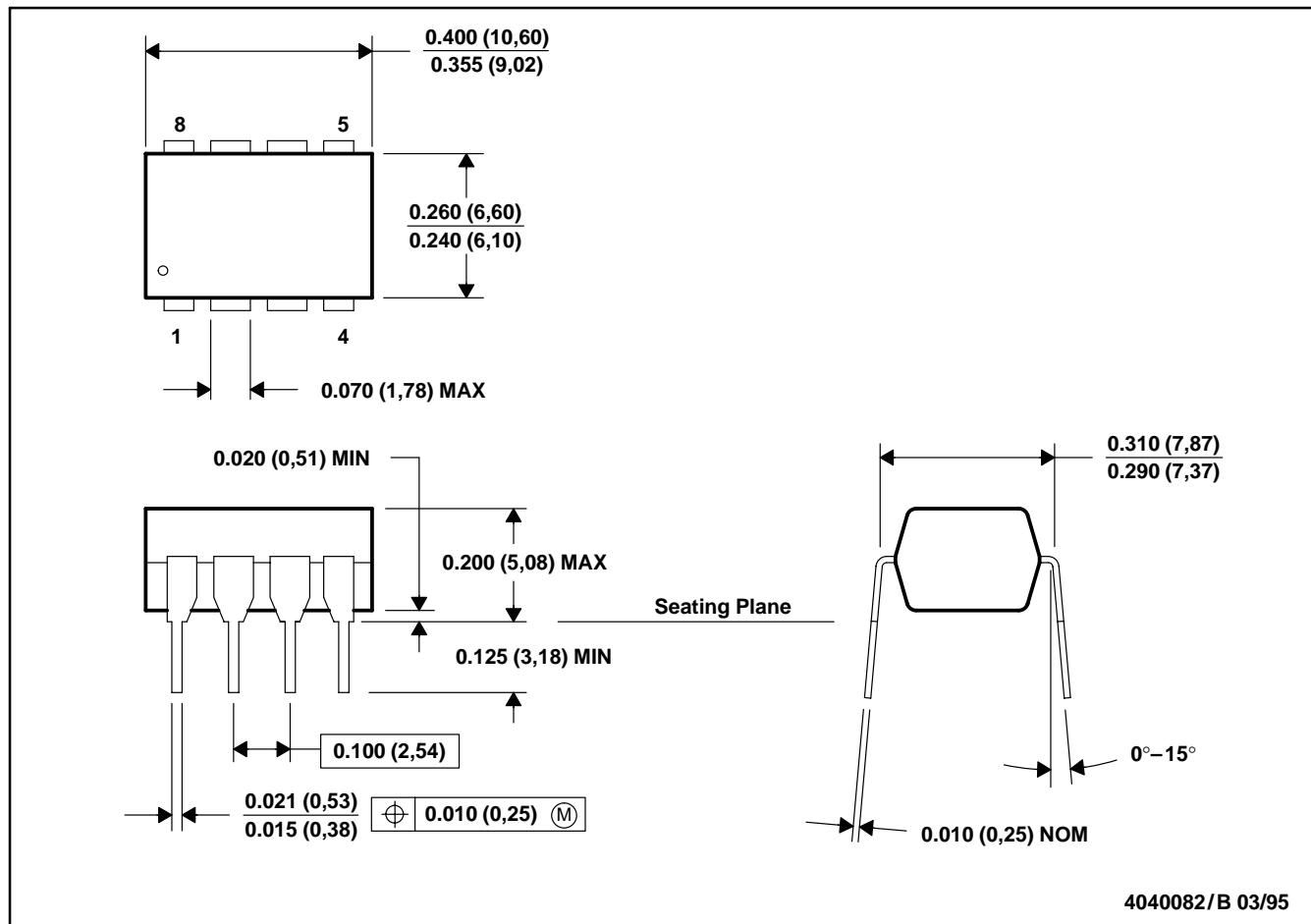
**TLV2460, TLV2461, TLV2462, TLV2463, TLV2464, TLV2465, TLV246xA**  
**FAMILY OF LOW-POWER RAIL-TO-RAIL INPUT/OUTPUT**  
**OPERATIONAL AMPLIFIERS WITH SHUTDOWN**

SLOS220I – JULY 1998 – REVISED MARCH 2001

**MECHANICAL DATA**

**P (R-PDIP-T8)**

**PLASTIC DUAL-IN-LINE PACKAGE**



- NOTES: A. All linear dimensions are in inches (millimeters).  
 B. This drawing is subject to change without notice.  
 C. Falls within JEDEC MS-001



**TLV2460, TLV2461, TLV2462, TLV2463, TLV2464, TLV2465, TLV246xA**  
**FAMILY OF LOW-POWER RAIL-TO-RAIL INPUT/OUTPUT**  
**OPERATIONAL AMPLIFIERS WITH SHUTDOWN**

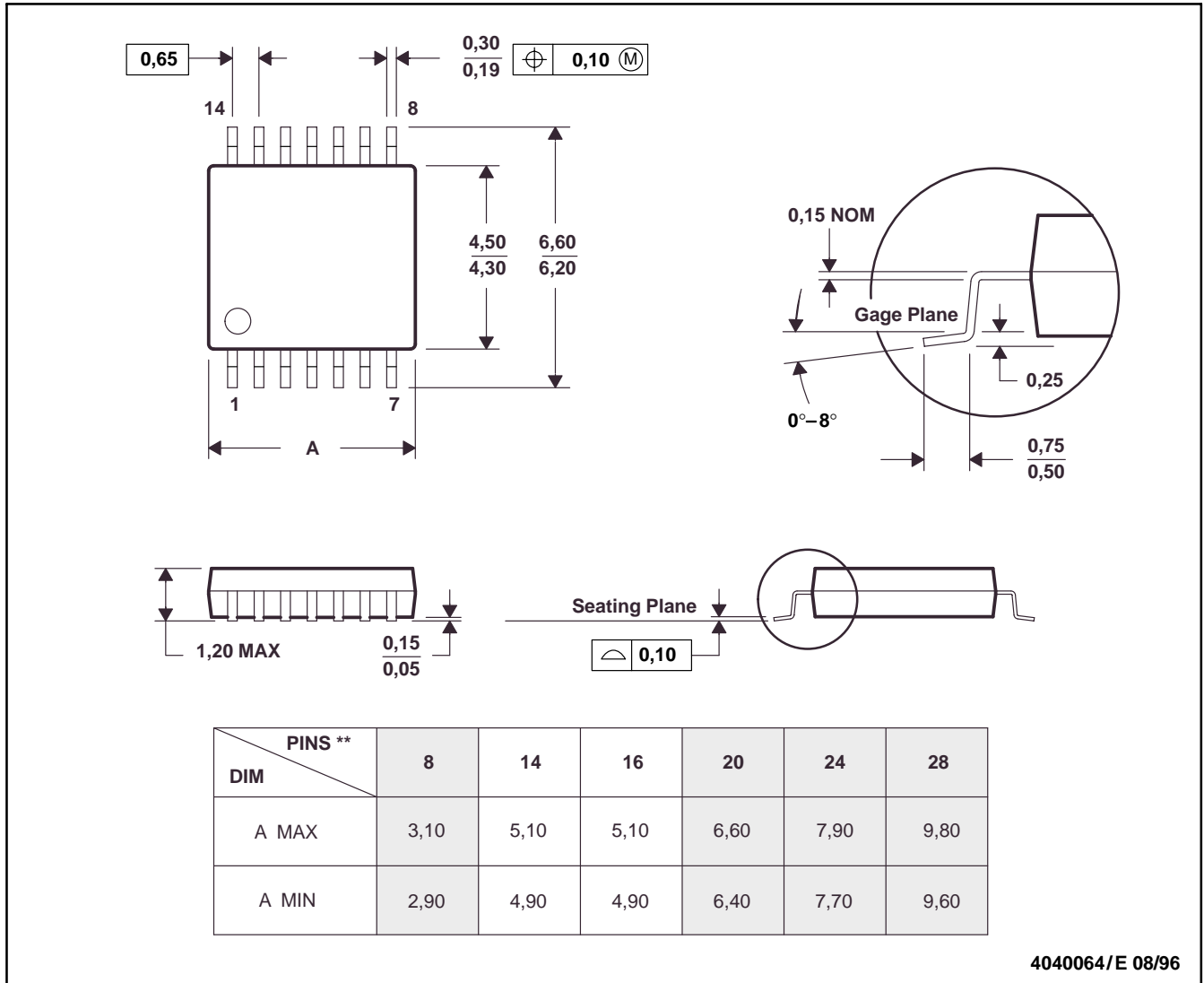
SLOS220I – JULY 1998 – REVISED MARCH 2001

**MECHANICAL DATA**

**PW (R-PDSO-G\*\*)**

**PLASTIC SMALL-OUTLINE PACKAGE**

**14 PIN SHOWN**



- NOTES: A. All linear dimensions are in millimeters.  
 B. This drawing is subject to change without notice.  
 C. Body dimensions do not include mold flash or protrusion not to exceed 0,15.  
 D. Falls within JEDEC MO-153

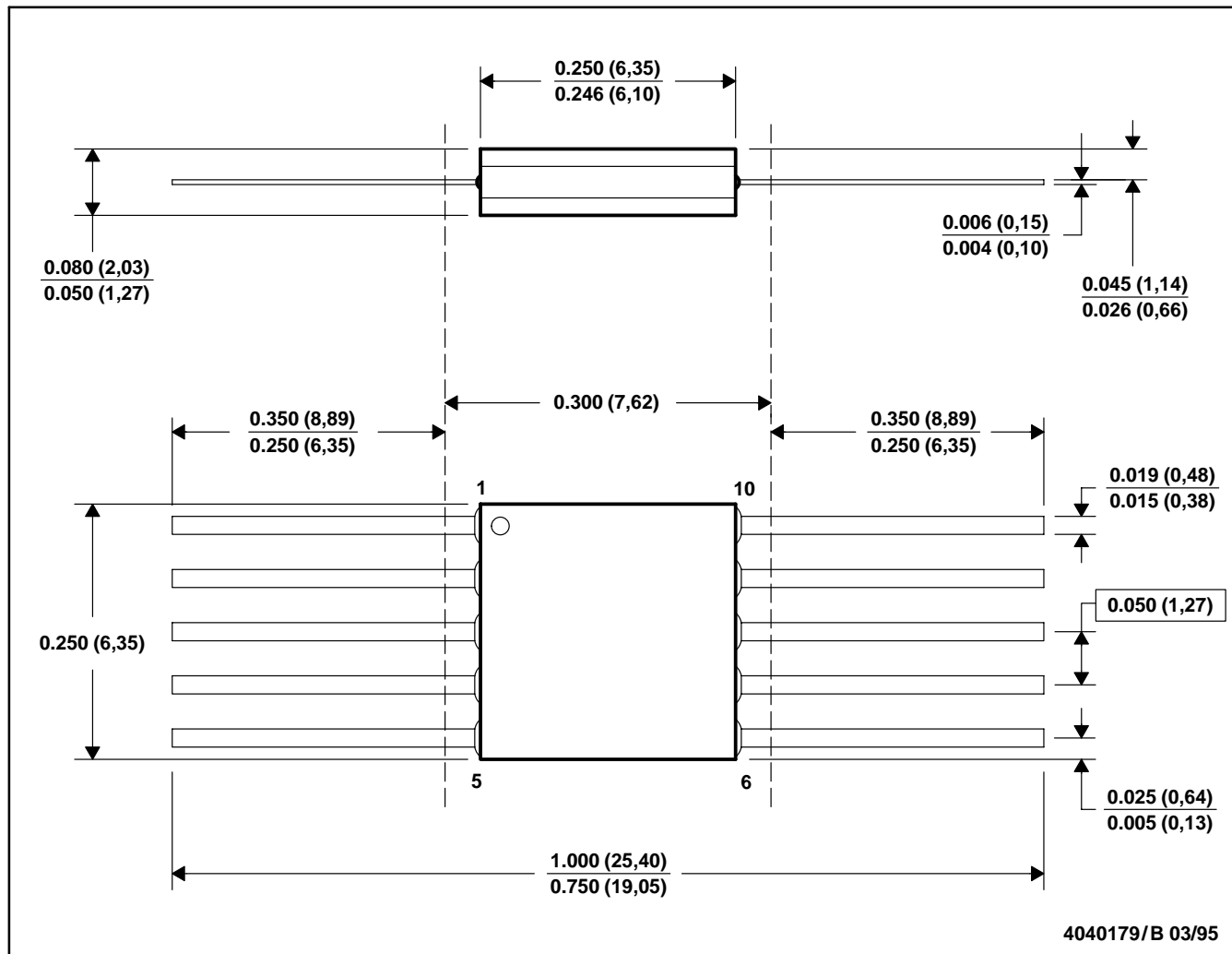
**TLV2460, TLV2461, TLV2462, TLV2463, TLV2464, TLV2465, TLV246xA**  
**FAMILY OF LOW-POWER RAIL-TO-RAIL INPUT/OUTPUT**  
**OPERATIONAL AMPLIFIERS WITH SHUTDOWN**

SLOS220I – JULY 1998 – REVISED MARCH 2001

**MECHANICAL DATA**

**U (S-GDFP-F10)**

**CERAMIC DUAL FLATPACK**



4040179/B 03/95

- NOTES: A. All linear dimensions are in inches (millimeters).  
 B. This drawing is subject to change without notice.  
 C. This package can be hermetically sealed with a ceramic lid using glass frit.  
 D. Index point is provided on cap for terminal identification only.  
 E. Falls within MIL STD 1835 GDFP1-F10 and JEDEC MO-092AA



POST OFFICE BOX 655303 • DALLAS, TEXAS 75265

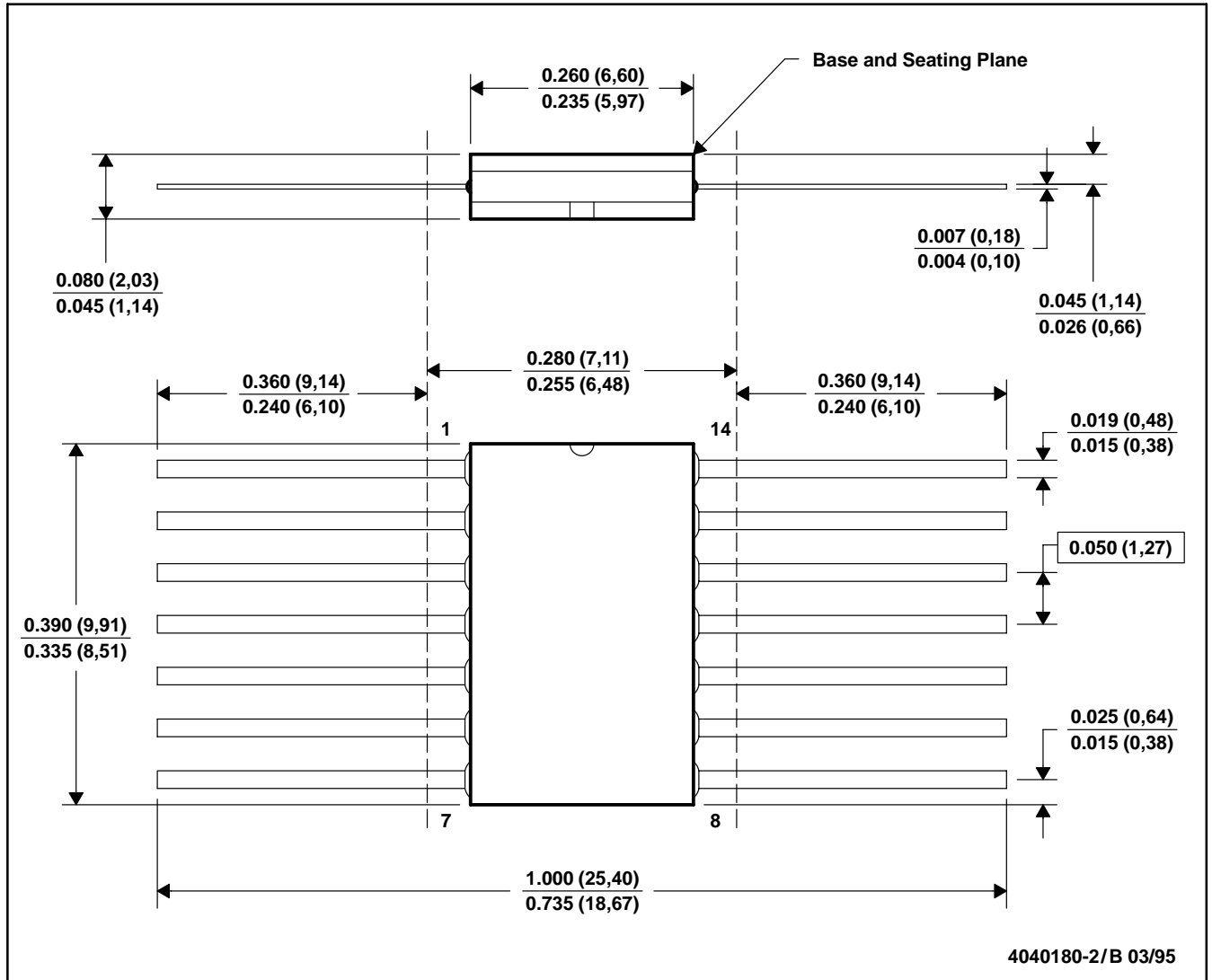
TLV2460, TLV2461, TLV2462, TLV2463, TLV2464, TLV2465, TLV246xA  
 FAMILY OF LOW-POWER RAIL-TO-RAIL INPUT/OUTPUT  
 OPERATIONAL AMPLIFIERS WITH SHUTDOWN

SLOS220I - JULY 1998 - REVISED MARCH 2001

MECHANICAL INFORMATION

W (R-GDFP-F14)

CERAMIC DUAL FLATPACK



- NOTES:
- All linear dimensions are in inches (millimeters).
  - This drawing is subject to change without notice.
  - This package can be hermetically sealed with a ceramic lid using glass frit.
  - Index point is provided on cap for terminal identification only.
  - Falls within MIL STD 1835 GDFP1-F14 and JEDEC MO-092AB



JG (R-GDIP-T8)

CERAMIC DUAL-IN-LINE



- NOTES: A. All linear dimensions are in inches (millimeters).  
 B. This drawing is subject to change without notice.  
 C. This package can be hermetically sealed with a ceramic lid using glass frit.  
 D. Index point is provided on cap for terminal identification.  
 E. Falls within MIL STD 1835 GDIP1-T8

J (R-GDIP-T\*\*)

14 LEADS SHOWN

CERAMIC DUAL IN-LINE PACKAGE



| DIM \ PINS ** | 14                     | 16                     | 18                     | 20                     |
|---------------|------------------------|------------------------|------------------------|------------------------|
| A             | 0.300<br>(7,62)<br>BSC | 0.300<br>(7,62)<br>BSC | 0.300<br>(7,62)<br>BSC | 0.300<br>(7,62)<br>BSC |
| B MAX         | 0.785<br>(19,94)       | .840<br>(21,34)        | 0.960<br>(24,38)       | 1.060<br>(26,92)       |
| B MIN         | —                      | —                      | —                      | —                      |
| C MAX         | 0.300<br>(7,62)        | 0.300<br>(7,62)        | 0.310<br>(7,87)        | 0.300<br>(7,62)        |
| C MIN         | 0.245<br>(6,22)        | 0.245<br>(6,22)        | 0.220<br>(5,59)        | 0.245<br>(6,22)        |

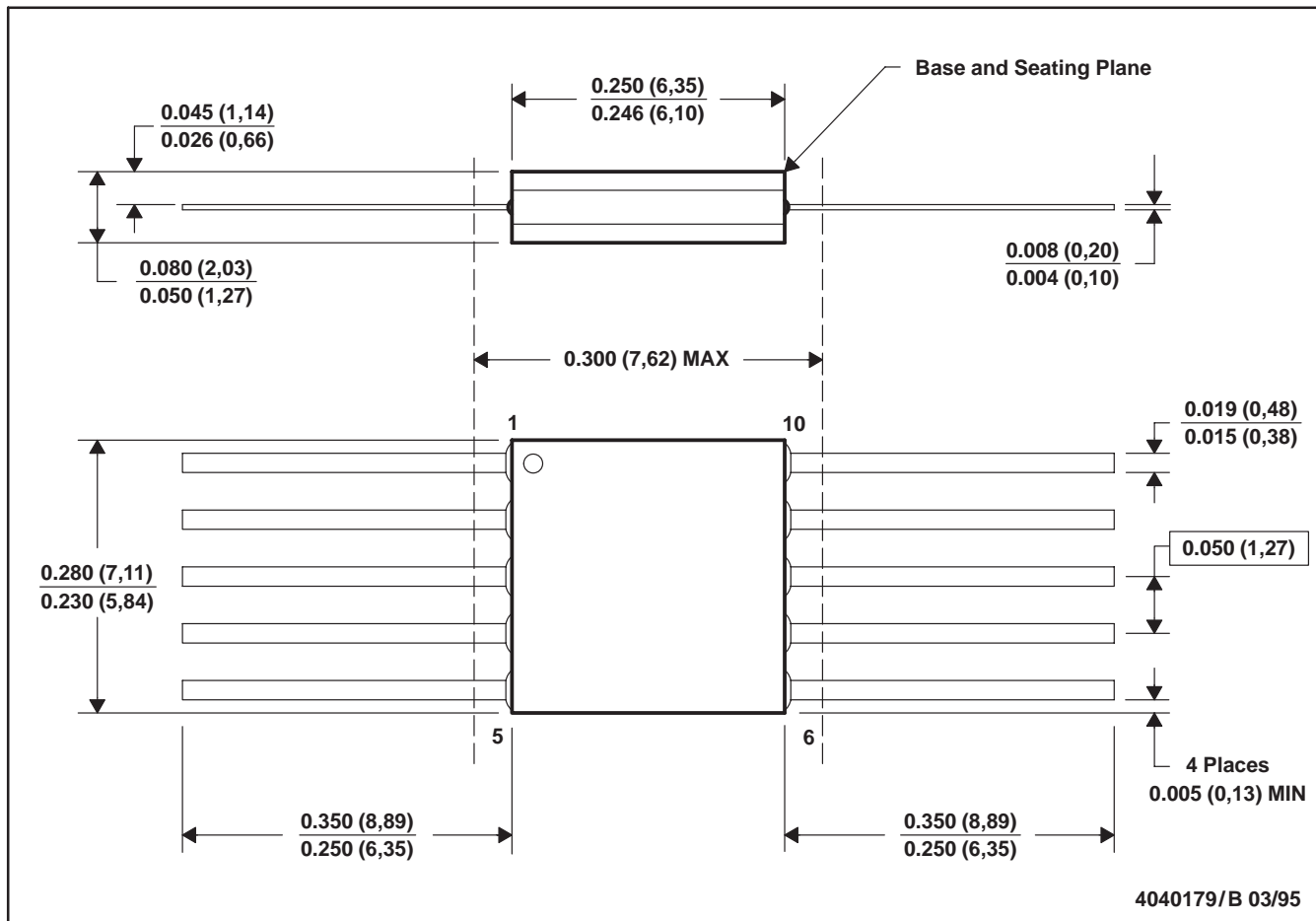


4040083/F 03/03

- NOTES:
- All linear dimensions are in inches (millimeters).
  - This drawing is subject to change without notice.
  - This package is hermetically sealed with a ceramic lid using glass frit.
  - Index point is provided on cap for terminal identification only on press ceramic glass frit seal only.
  - Falls within MIL STD 1835 GDIP1-T14, GDIP1-T16, GDIP1-T18 and GDIP1-T20.

U (S-GDFP-F10)

CERAMIC DUAL FLATPACK



- NOTES: A. All linear dimensions are in inches (millimeters).  
 B. This drawing is subject to change without notice.  
 C. This package can be hermetically sealed with a ceramic lid using glass frit.  
 D. Index point is provided on cap for terminal identification only.  
 E. Falls within MIL STD 1835 GDFP1-F10 and JEDEC MO-092AA

FK (S-CQCC-N\*\*)

LEADLESS CERAMIC CHIP CARRIER

28 TERMINAL SHOWN



- NOTES:
- A. All linear dimensions are in inches (millimeters).
  - B. This drawing is subject to change without notice.
  - C. This package can be hermetically sealed with a metal lid.
  - D. The terminals are gold plated.
  - E. Falls within JEDEC MS-004

P (R-PDIP-T8)

PLASTIC DUAL-IN-LINE



- NOTES: A. All linear dimensions are in inches (millimeters).  
 B. This drawing is subject to change without notice.  
 C. Falls within JEDEC MS-001

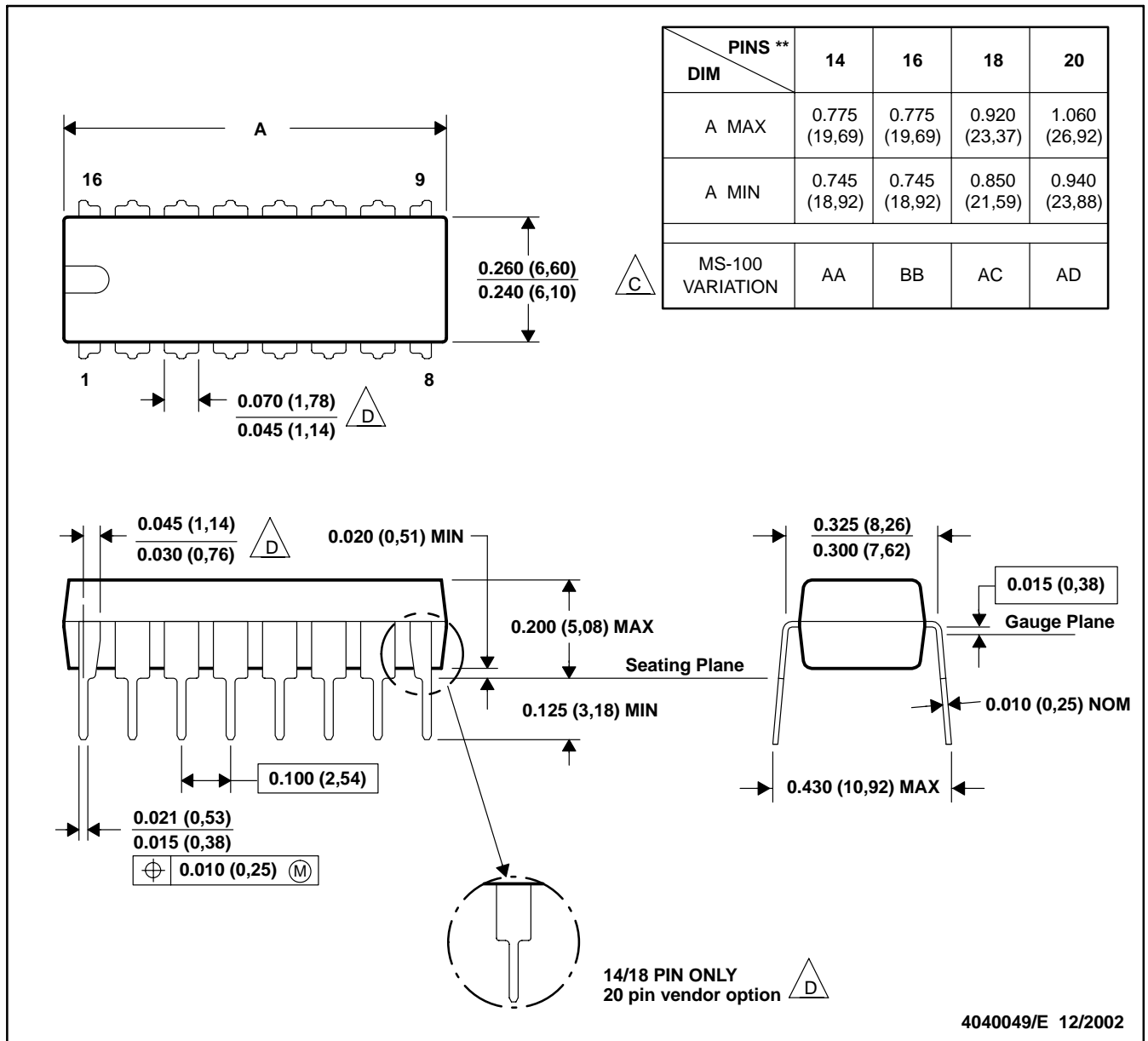
For the latest package information, go to [http://www.ti.com/sc/docs/package/pkg\\_info.htm](http://www.ti.com/sc/docs/package/pkg_info.htm)



N (R-PDIP-T\*\*)

PLASTIC DUAL-IN-LINE PACKAGE

16 PINS SHOWN

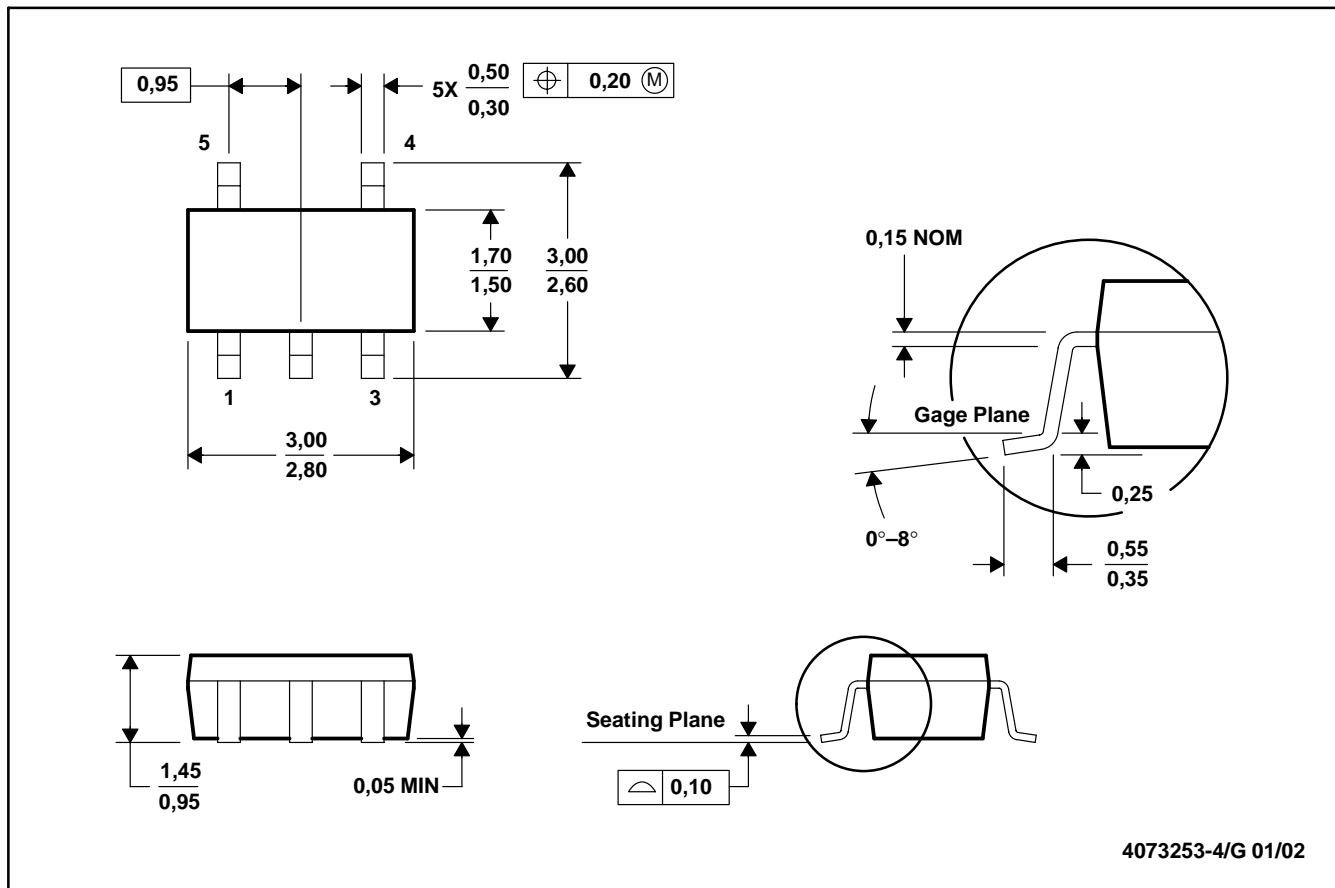


- NOTES: A. All linear dimensions are in inches (millimeters).  
 B. This drawing is subject to change without notice.  
 C Falls within JEDEC MS-001, except 18 and 20 pin minimum body length (Dim A).  
 D The 20 pin end lead shoulder width is a vendor option, either half or full width.

4040049/E 12/2002

DBV (R-PDSO-G5)

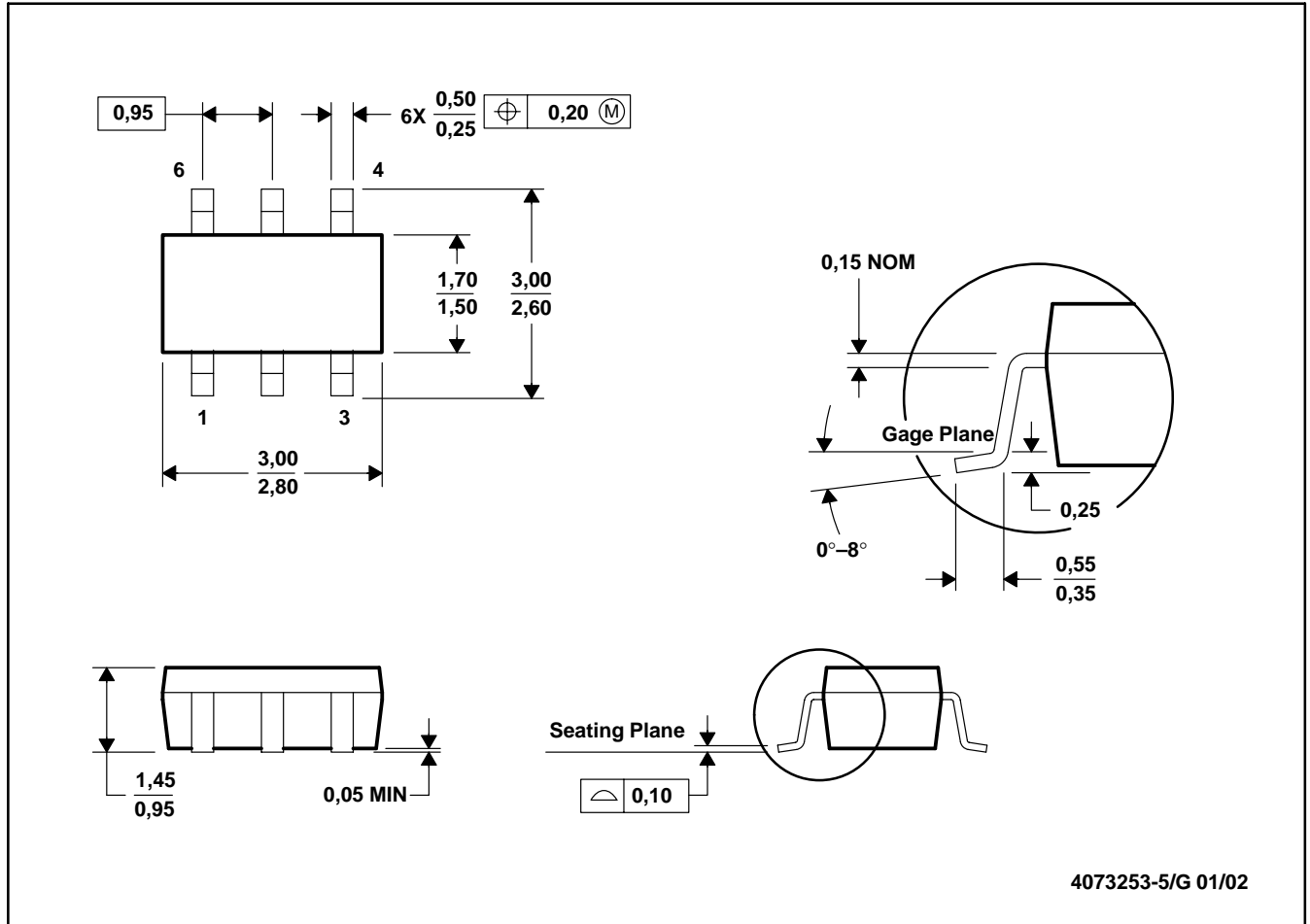
PLASTIC SMALL-OUTLINE



- NOTES: A. All linear dimensions are in millimeters.  
 B. This drawing is subject to change without notice.  
 C. Body dimensions do not include mold flash or protrusion.  
 D. Falls within JEDEC MO-178

DBV (R-PDSO-G6)

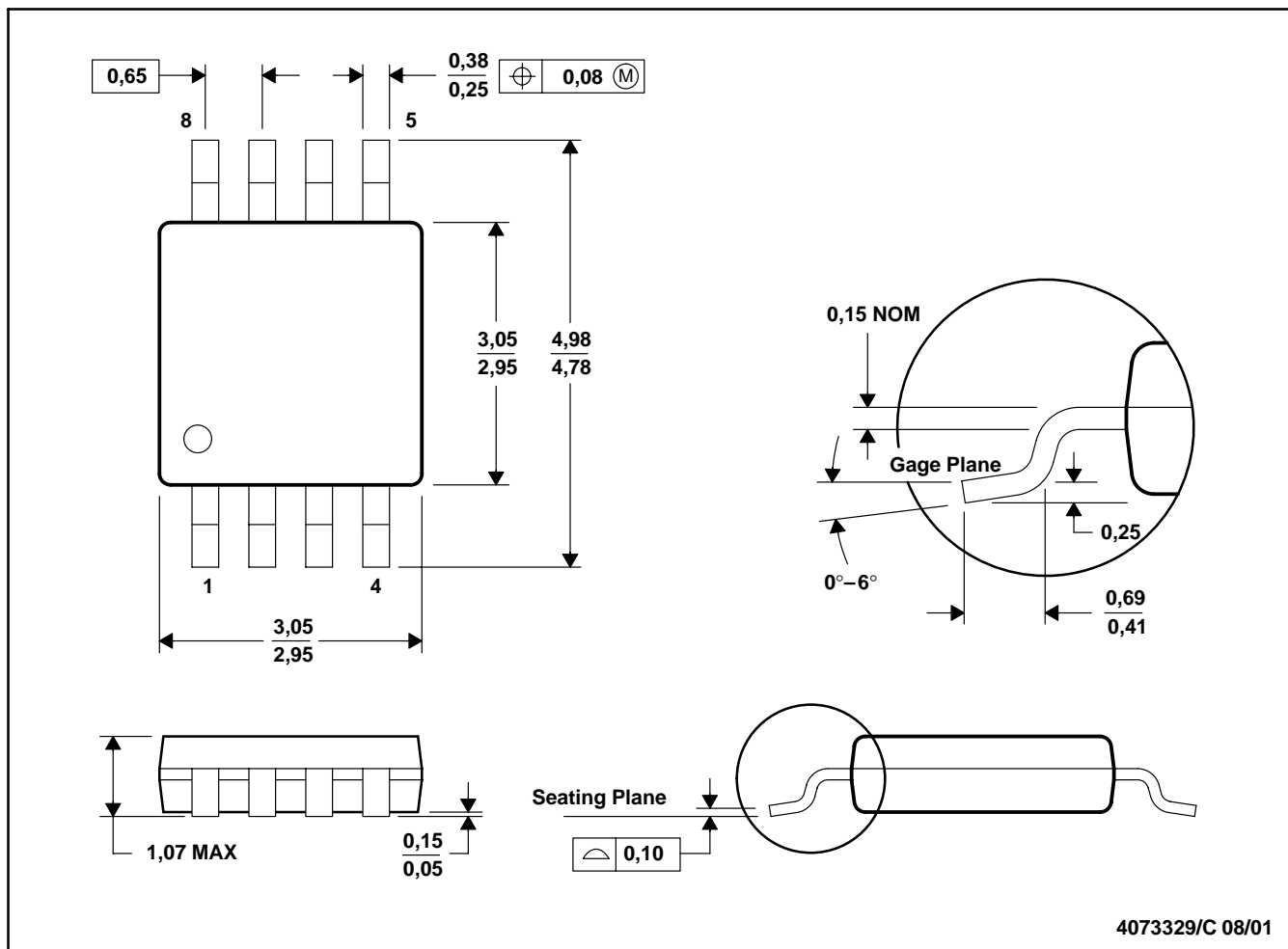
PLASTIC SMALL-OUTLINE



- NOTES: A. All linear dimensions are in millimeters.  
 B. This drawing is subject to change without notice.  
 C. Body dimensions do not include mold flash or protrusion.  
 D. Leads 1, 2, 3 may be wider than leads 4, 5, 6 for package orientation.

DGK (R-PDSO-G8)

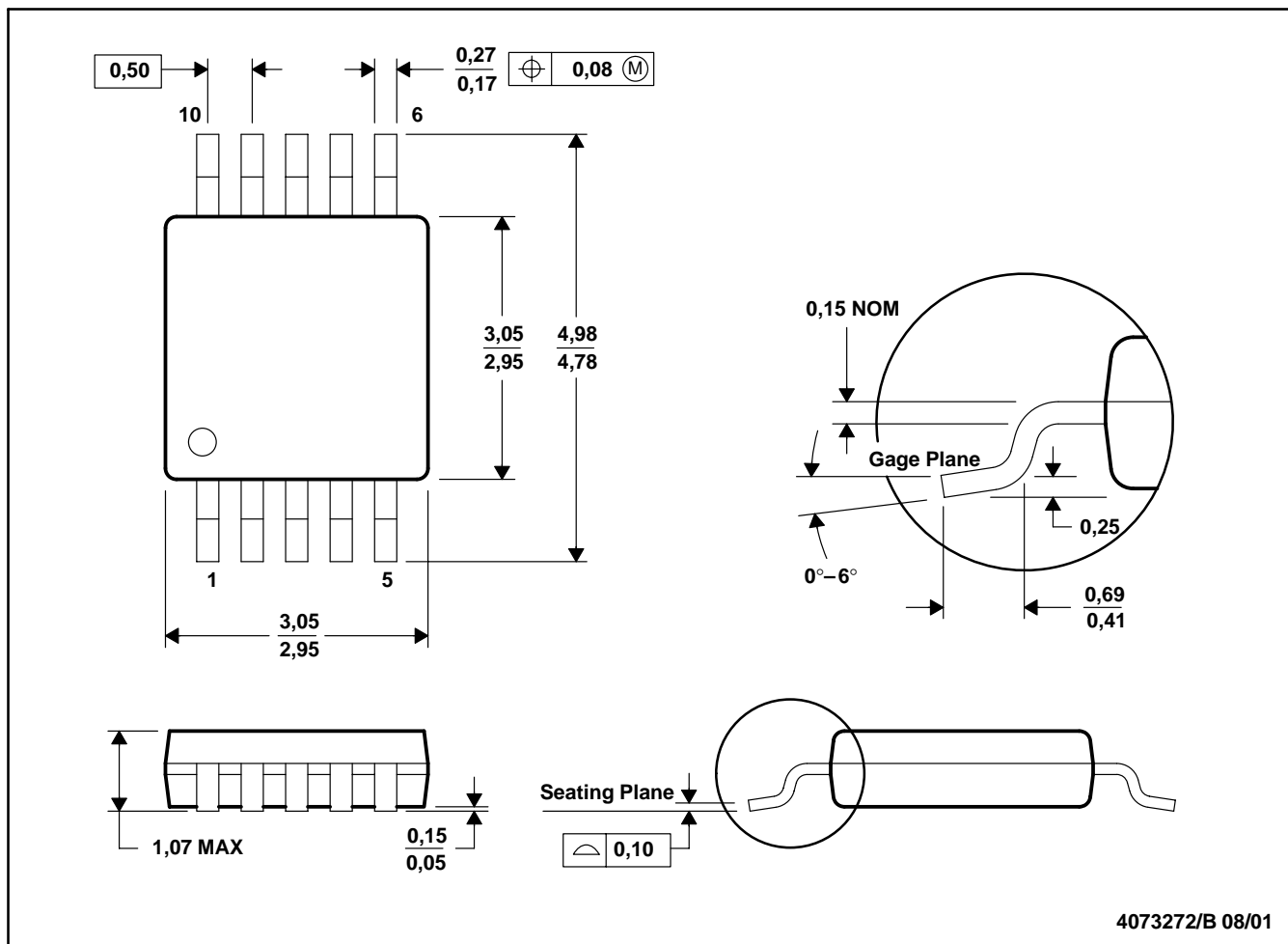
PLASTIC SMALL-OUTLINE PACKAGE



- NOTES: A. All linear dimensions are in millimeters.  
 B. This drawing is subject to change without notice.  
 C. Body dimensions do not include mold flash or protrusion.  
 D. Falls within JEDEC MO-187

DGS (S-PDSO-G10)

PLASTIC SMALL-OUTLINE PACKAGE



4073272/B 08/01

- NOTES: A. All linear dimensions are in millimeters.  
 B. This drawing is subject to change without notice.  
 C. Body dimensions do not include mold flash or protrusion.  
 D. Falls within JEDEC MO-187

D (R-PDSO-G\*\*)

PLASTIC SMALL-OUTLINE PACKAGE

8 PINS SHOWN



- NOTES: A. All linear dimensions are in inches (millimeters).  
 B. This drawing is subject to change without notice.  
 C. Body dimensions do not include mold flash or protrusion, not to exceed 0.006 (0,15).  
 D. Falls within JEDEC MS-012

PW (R-PDSO-G\*\*)

PLASTIC SMALL-OUTLINE PACKAGE

14 PINS SHOWN



4040064/F 01/97

- NOTES: A. All linear dimensions are in millimeters.  
 B. This drawing is subject to change without notice.  
 C. Body dimensions do not include mold flash or protrusion not to exceed 0,15.  
 D. Falls within JEDEC MO-153

## IMPORTANT NOTICE

Texas Instruments Incorporated and its subsidiaries (TI) reserve the right to make corrections, modifications, enhancements, improvements, and other changes to its products and services at any time and to discontinue any product or service without notice. Customers should obtain the latest relevant information before placing orders and should verify that such information is current and complete. All products are sold subject to TI's terms and conditions of sale supplied at the time of order acknowledgment.

TI warrants performance of its hardware products to the specifications applicable at the time of sale in accordance with TI's standard warranty. Testing and other quality control techniques are used to the extent TI deems necessary to support this warranty. Except where mandated by government requirements, testing of all parameters of each product is not necessarily performed.

TI assumes no liability for applications assistance or customer product design. Customers are responsible for their products and applications using TI components. To minimize the risks associated with customer products and applications, customers should provide adequate design and operating safeguards.

TI does not warrant or represent that any license, either express or implied, is granted under any TI patent right, copyright, mask work right, or other TI intellectual property right relating to any combination, machine, or process in which TI products or services are used. Information published by TI regarding third-party products or services does not constitute a license from TI to use such products or services or a warranty or endorsement thereof. Use of such information may require a license from a third party under the patents or other intellectual property of the third party, or a license from TI under the patents or other intellectual property of TI.

Reproduction of information in TI data books or data sheets is permissible only if reproduction is without alteration and is accompanied by all associated warranties, conditions, limitations, and notices. Reproduction of this information with alteration is an unfair and deceptive business practice. TI is not responsible or liable for such altered documentation.

Resale of TI products or services with statements different from or beyond the parameters stated by TI for that product or service voids all express and any implied warranties for the associated TI product or service and is an unfair and deceptive business practice. TI is not responsible or liable for any such statements.

### Mailing Address:

Texas Instruments  
Post Office Box 655303  
Dallas, Texas 75265