



128Kx24 SRAM 3.3 Volt

FEATURES

128Kx24 bit CMOS Static

Random Access Memory Array

- Fast Access Times: 10, 12, and 15ns
- Master Output Enable and Write Control
- TTL Compatible Inputs and Outputs
- Fully Static, No Clocks

Surface Mount Package

- 119 Lead BGA (JEDEC MO-163), No. 391
- Small Footprint, 14mm x 22mm
- Multiple Ground Pins for Maximum

Noise Immunity

Single +3.3V (±5%) Supply Operation

DSP Memory Solution

- Motorola DSP5630xTM
- Analog Devices SHARCTM

The EDI8L24129VxxBC is a 3.3V, three megabit SRAM constructed with three 128Kx8 die mounted on a multi-layer laminate substrate. With 10 to 15ns access times, x24 width and a 3.3V operating voltage, the EDI8L24129V is ideal for creating a single chip memory solution for the Motorola DSP5630x (Figure 3) or a two chip solution for the Analog Devices SHARCTM DSP (Figure 4).

The single or dual chip memory solutions offer improved system performance by reducing the length of board traces and the number of board connections compared to using multiple monolithic devices. For example, the capacitance load on the data lines for the BGA package is 58% less than a monolithic SOJ solution.

The JEDEC Standard 119 lead BGA provides a 44% space savings over using 128Kx8, 300mil wide SOJs and the BGA package has a maximum height of 100 mils compared to 148 mils for the SOJ packages. The BGA package also allows the use of the same manufacturing and inspection techniques as the Motorola DSP, which is also in a BGA package.

PIN CONFIGURATION

Pin Symbols

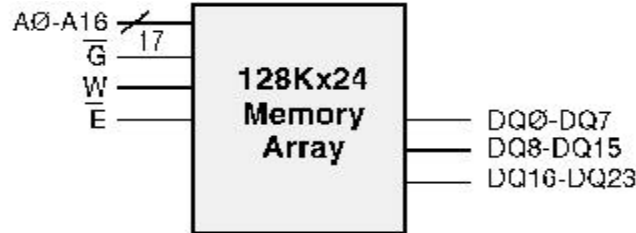
	1	2	3	4	5	6	7
A	NC	AO	A1	A2	A3	A4	NC
B	NC	A5	A6	E	A7	A8	NC
C	I/012	NC	NC	NC	NC	NC	I/00
D	I/013	VCC	GND	GND	GND	VCC	I/01
E	I/014	GND	VCC	GND	VCC	GND	I/02
F	I/015	VCC	GND	GND	GND	VCC	I/03
G	I/016	GND	VCC	GND	VCC	GND	I/04
H	I/017	VCC	GND	GND	GND	VCC	I/05
I	NC	GND	VCC	GND	VCC	GND	NC
J	I/018	VCC	GND	GND	GND	VCC	I/06
K	I/019	GND	VCC	GND	GND	VCC	I/07
L	I/020	VCC	GND	GND	GND	VCC	I/08
M	I/021	GND	VCC	GND	VCC	GND	I/09
N	I/022	VCC	GND	GND	GND	VCC	I/010
O	I/023	NC	NC	NC	NC	NC	I/011
P	NC	A9	A10	W	A11	A12	NC
Q	NC	A13	A14	G	A15	A16	NC

Pin Names

A0-A16	Address Inputs
E	Chip Enable
W	Master Write Enable
G	Master Output
Enable	
DQ0-DQ23	Common Data Input/
Output	
VCC	Power (3.3V±5%)
GND	Ground
NC	No Connection



BLOCK DIAGRAM



ABSOLUTE MAXIMUM RATINGS

Voltage on any pin relative to VSS	-0.5V to 4.6V
Operating Temperature TA (Ambient)	
Commercial	0°C to +70°C
Industrial	-40°C to +85°C
Storage Temperature	-55°C to +125°C
Power Dissipation	1.5 Watts
Output Current	50 mA
Junction Temperature, TJ	175°C

*Stress greater than those listed under "Absolute Maximum Ratings" may cause permanent damage to the device. This is a stress rating only and functional operation of the device at these or any other conditions greater than those indicated in the operational sections of this specification is not implied. Exposure to absolute maximum rating conditions for extended periods may affect reliability.

RECOMMENDED OPERATING CONDITIONS

Parameter	Sym	Min	Typ	Max	Units
Supply Voltage	VCC	3.135	3.3	3.465	V
Supply Voltage	VSS	0	0	0	V
Input High Voltage	V _{IH}	2.2	-	VCC+0.3	V
Input Low Voltage	V _{IL}	-0.3	-	0.8	V

CAPACITANCE

(f=1.0MHz, VIN=VCC or VSS)

Parameter	Sym	Max	Unit
Address Lines	CA	8	pF
Data Lines	CD/Q	10	pF
Write & Output Enable Lines	W, G	8	pF
Chip Enable Lines	E0-E2	8	pF

These parameters are sampled, not 100% tested.

TRUTH TABLE

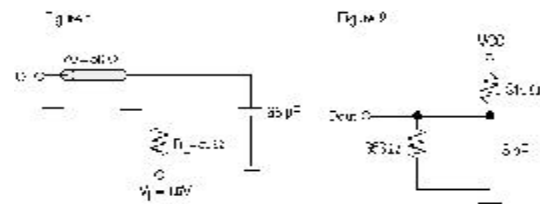
G	E	W	Mode	Output	Power
X	H	X	Standby	High Z	ICC2, ICC3
H	L	H	Output Deselect	High Z	ICC1
L	L	H	Read	DOUT	ICC1
X	L	L	Write	DIN	ICC1



DC ELECTRICAL CHARACTERISTICS

Parameter	Sym	Conditions	Min	Max		Units
				10ns	12-15ns	
Operating Power Supply Current	ICC1	W= VIL, II/O = 0mA, Min Cycle		420	360	mA
Standby (TTL) Supply Current	ICC2	E > VIH, VIN < VIL or VIN > VIH, f=0MHz		90	75	mA
Full Standby CMOS Supply Current	ICC3	E > VCC-0.2V VIN > VCC-0.2V or VIN < 0.2V		10	10	mA
Input Leakage Current	ILI	VIN = 0V to VCC		±10	±10	µA
Output Leakage Current	ILO	V I/O = 0V to VCC		±10	±10	µA
Output High Voltage	VOH	IOH = -4.0mA	2.4			V
Output Low Voltage	VOL	IOL = 8.0mA		0.4	0.4	V

AC TEST CIRCUIT



AC TEST CONDITIONS

Input Pulse Levels	VSS to 3.0V
Input Rise and Fall Times	5ns
Input and Output Timing Levels	1.5V
Output Load	Figure 1

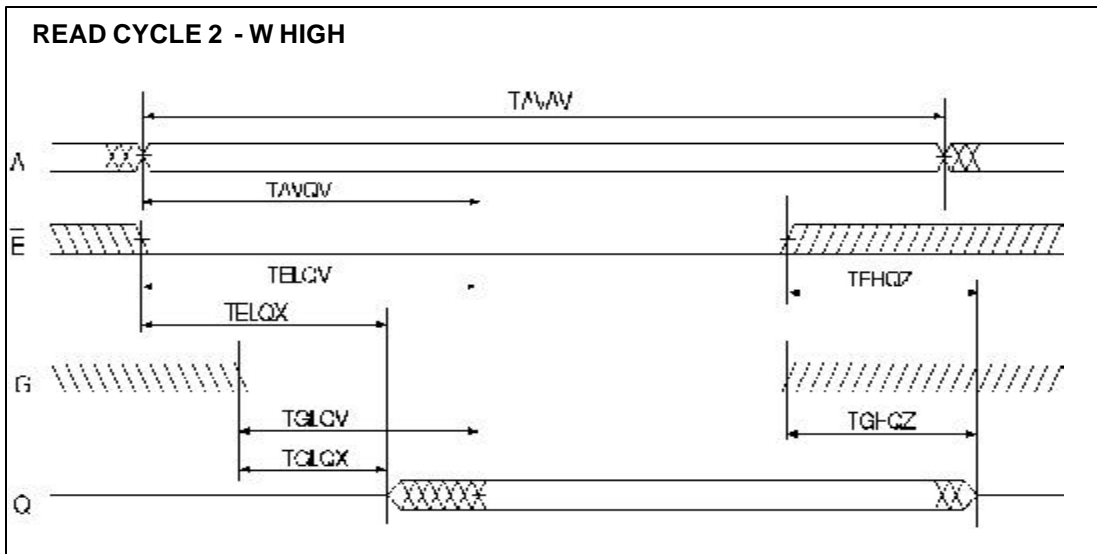
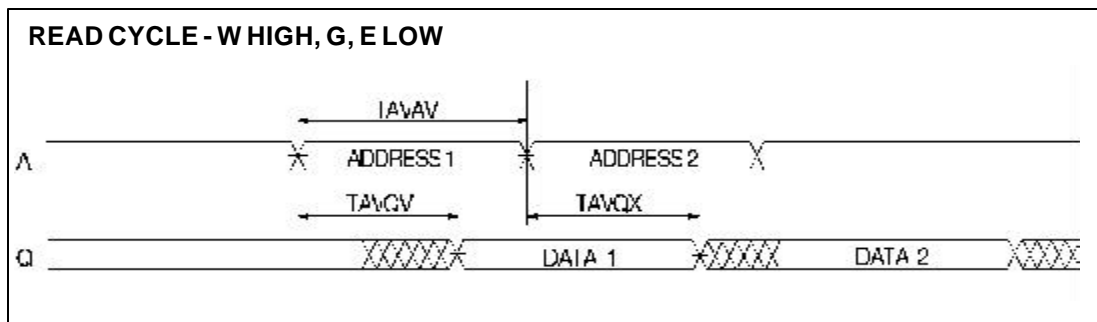
(note: For TEHQZ, TGHQZ and TWLQZ, Figure 2)



AC CHARACTERISTICS - READ CYCLE

Parameter	Symbol		10ns		12ns		15ns		Units
	JEDEC	Alt.	Min	Max	Min	Max	Min	Max	
Read Cycle Time	TAVAV	TRC	10		12		15		ns
Address Access Time	TAVQV	TAA		10		12		15	ns
Chip Enable Access Time	TELOV	TACS		10		12		15	ns
Chip Enable to Output in Low Z (1)	TELOX	TCLZ	3		3		3		ns
Chip Disable to Output in High Z (1)	TEHOZ	TCHZ		5		6		7	ns
Output Hold from Address Change	TAVOX	TOH	3		3		3		ns
Output Enable to Output Valid	TGLOV	TOE		5		6		7	ns
Output Enable to Output in Low Z (1)	TGLOX	TOLZ	0		0		0		ns
Output Disable to Output in High Z(1)	TGHOZ	TOHZ		5		6		7	ns

Note 1: Parameter guaranteed, but not tested.

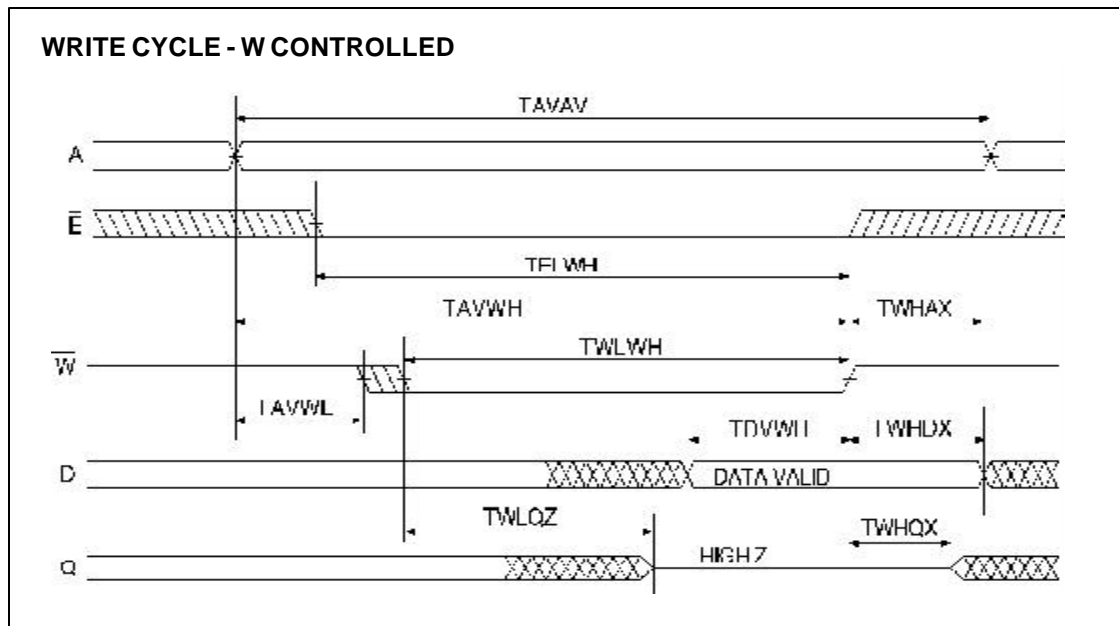


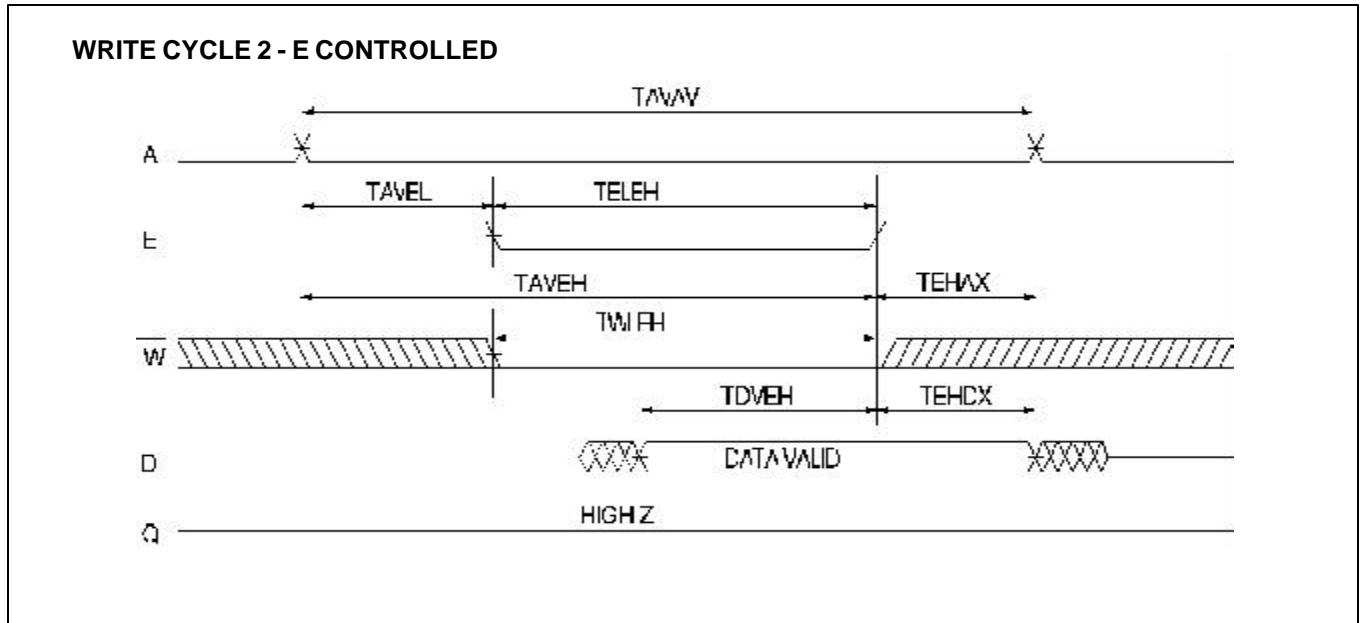


AC CHARACTERISTICS - WRITE CYCLE

Parameter	Symbol		10ns		12ns		15ns		Units
	JEDEC	Alt.	Min	Max	Min	Max	Min	Max	
Write Cycle Time	TAVAV	TWC	10		12		15		ns
Chip Enable to End of Write	TELWH	TCW	8		9		9		ns
	TELEH	TCW	8		9		9		ns
Address Setup Time	TAWWL	TAS	0		0		0		ns
	TAVEL	TAS	0		0		0		ns
Address Valid to End of Write	TAWWH	TAW	8		9		10		ns
	TAVEH	TAW	8		9		10		ns
Write Pulse Width	TWLWH	TWP	8		10		11		ns
	TWLEH	TWP	8		10		11		ns
Write Recovery Time	TWHAX	TWR	0		0		0		ns
	TEHAX	TWR	0		0		0		ns
Data Hold Time	TWHDX	TDH	0		0		0		ns
	TEHDX	TDH	0		0		0		ns
Write to Output in High Z (1)	TWLOZ	TWHZ	0	5	0	6	0	7	ns
Data to Write Time	TDVWH	TDW	6		6		7		ns
	TDVEH	TDW	6		6		7		ns
Output Active from End of Write (1)	TWHQX	TWLZ	3		3		3		ns

Note 1: Parameter guaranteed, but not tested.

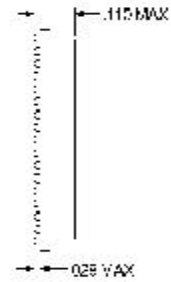
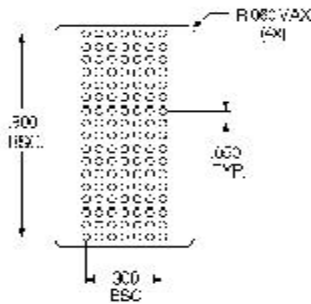
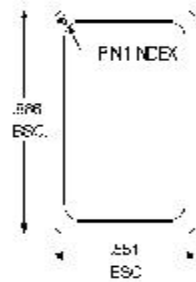






Package Description

PACKAGE NO. 391
119 LEAD BGA
JEDEC MO-163



ORDERING INFORMATION

Commercial (0°C to +70°C)

Part Number	Speed (ns)	Package No.
EDI8L24129V10BC	10	391
EDI8L24128V12BC	12	391
EDI8L24129V15BC	15	391

Industrial (-40°C to +85°C)

Part Number	Speed (ns)	Package No.
EDI8L24129V12BI	12	391
EDI8L24129V15BI	15	391



FIGURE 3 - INTERFACING THE MOTOROLA DSP5630X DSP FAMILY WITH THE EDI8L24129V (128KX24).

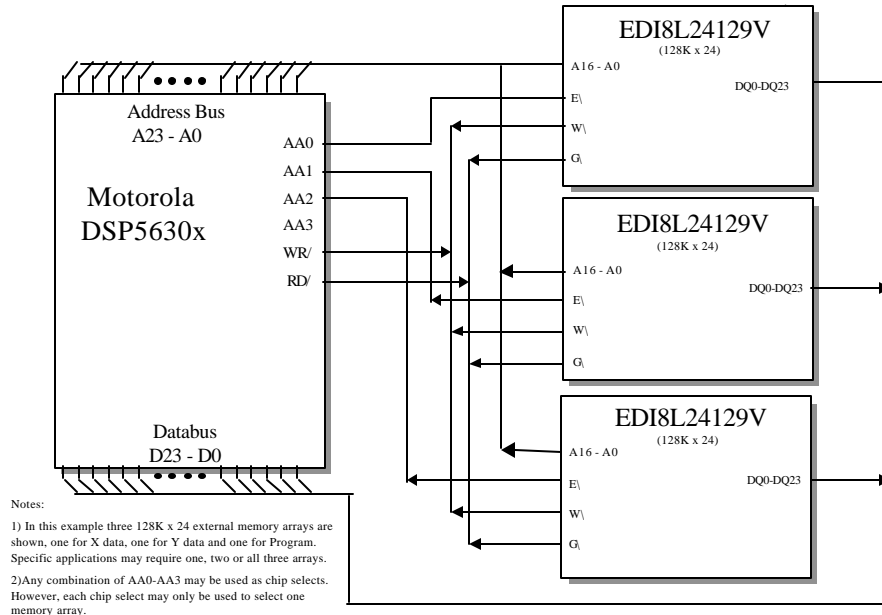


FIGURE 4 - INTERFACING THE 21060L OR THE 21062L TO THE EDI8L24129V, 119 BGA (CREATING A 128KX48 MEMORY ARRAY.)

