

# Type T High Voltage DC Filter Capacitors



## Type T – Paper-Film/Foil

### Applications

Use Type T capacitors for filter applications. Typical applications include: filtering, bypass and blocking radar amplifiers and power supplies.

### Highlights

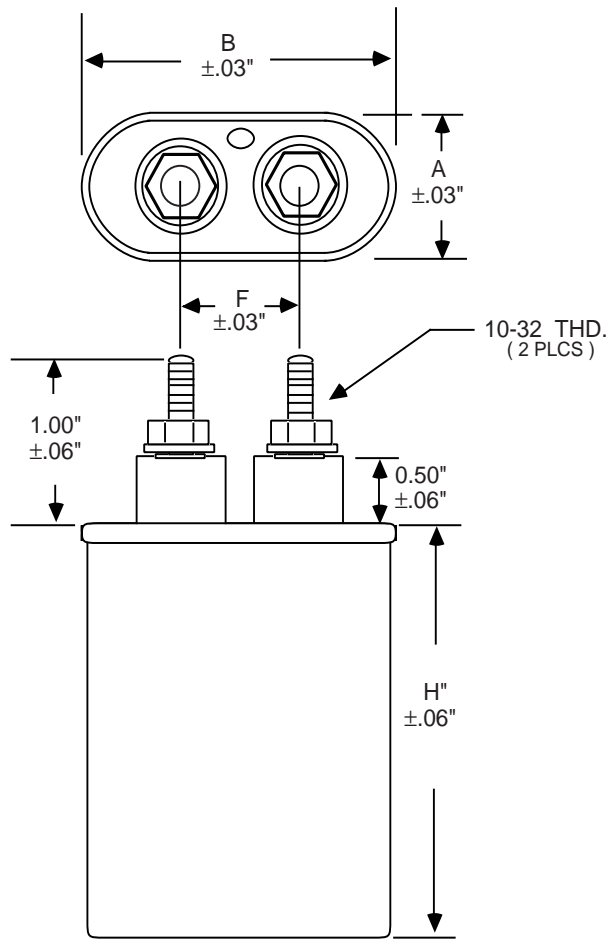
- Voltage ratings: 600 - 5000 Vdc
- Capacitance range: 0.1 $\mu$ F to 15.0 $\mu$ F
- Capacitance tolerance:  $\pm$ 10%
- Temperature range: -55°C to 85°C
- 105°C operation with derating
- Hermetically sealed for long life
- 10-32 screw terminals

Cap. ( $\mu$ F)	Stock Items	Catalog Number	Case Code	H (inches)
<b>600 Vdc</b>				
0.50		T6P5NR	A	2.13
1.0	S	T6W1NR	A	2.13
2.0	S	T6W2NR	A	2.13
3.0		T6W3NR	A	2.38
4.0		T6W4NR	A	2.63
6.0		T6W6NR	A	3.00
8.0		T6W8NR	C	2.63
10.0	S	T6W10NR	C	3.13
15.0		T6W15NR	D	3.50
<b>1000 Vdc</b>				
0.10		T10P1NR	A	2.13
0.25		T10P25NR	A	2.13
0.50	S	T10P5NR	A	2.13
1.0	S	T10W1NR	A	2.13
2.0		T10W2NR	A	2.63
4.0		T10W4NR	A	4.25
6.0	S	T10W6NR	C	3.50
8.0		T10W8NR	D	3.50
10.0	S	T10W10NR	D	3.88
15.0		T10W15NR	D	5.25
<b>1500 Vdc</b>				
0.50		T15P5NR	A	2.13
1.0		T15W1NR	A	2.13
2.0		T15W2NR	A	3.13
4.0		T15W4NR	C	3.13
6.0		T15W6NR	D	3.88
8.0		T15W8NR	D	4.25

Cap. ( $\mu$ F)	Stock Items	Catalog Number	Case Code	H (inches)
<b>1500 Vdc (cont'd)</b>				
10.0		T15W10NR	D	4.75
12.0		T15W12NR	D	5.25
15.0		T15W15NR	D	6.25
<b>2000 Vdc</b>				
0.10		T20P1NR	A	2.13
0.25		T20P25NR	A	2.13
0.50	S	T20P5NR	A	2.13
1.0	S	T20W1NR	A	2.63
2.0		T20W2NR	C	2.88
4.0		T20W4NR	D	3.50
5.0		T20W5NR	D	4.25
8.0		T20W8NR	D	5.75
10.0		T20W10NR	D	6.75
15.0		T20W15NR	D	9.88
<b>2500 Vdc</b>				
1.0		T25W1NR	C	2.88
2.0		T25W2NR	C	3.13
4.0		T25W4NR	D	4.25
<b>3000 Vdc</b>				
0.10		T30P1NR	A	2.13
0.50		T30P5NR	A	3.13
1.0		T30W1NR	C	3.13
6.0		T30W6NR	D	8.00
<b>5000 Vdc</b>				
0.50		T50P5NR	C	3.50
1.0		T50W1NR	D	4.25
2.0		T50W2NR	D	7.25

High-Voltage and Motor Capacitors

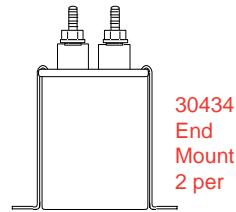
# Type T High Voltage DC Filter Capacitors



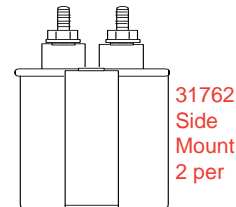
## Case Code

Case Code	Dimensions (Inches)			
	A	B	F	H
A	1.31	2.16	0.81	see table
C	1.91	2.91	1.38	see table
D	1.97	3.66	1.38	see table

## Mounting Hardware



30434  
End  
Mount  
2 per



31762  
Side  
Mount  
2 per

H (Inches)	End Mount	Side Mount
2.13	30434-33	31762-45
2.38	30434-37	31762-46
2.63	30434-41	31762-47
2.88	30434-45	31762-48
3.13	30434-49	31762-49
3.50	30434-55	31762-50
3.75	30434-59	31762-83
3.88	30434-61	31762-51
4.25	30434-67	31762-52
4.75	30434-75	31762-54
5.25	30434-83	31762-55
5.75	30434-91	31762-56
6.25	30434-99	31762-59
6.75	30434-107	31762-60
7.25	30434-115	31762-62
8.00	30434-127	31762-63

Case Code	Bracket
A	30393-5
C	30393-9
D	30393-10

Case Code	Bracket
A	32107-1
C	32107-2
D	32107-3

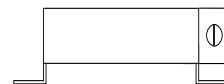


Wrap  
Around  
Bracket  
30393



Universal  
Mounting  
Bracket  
32107

6-32 screw  
and nut



High-Voltage  
and  
Motor Capacitors