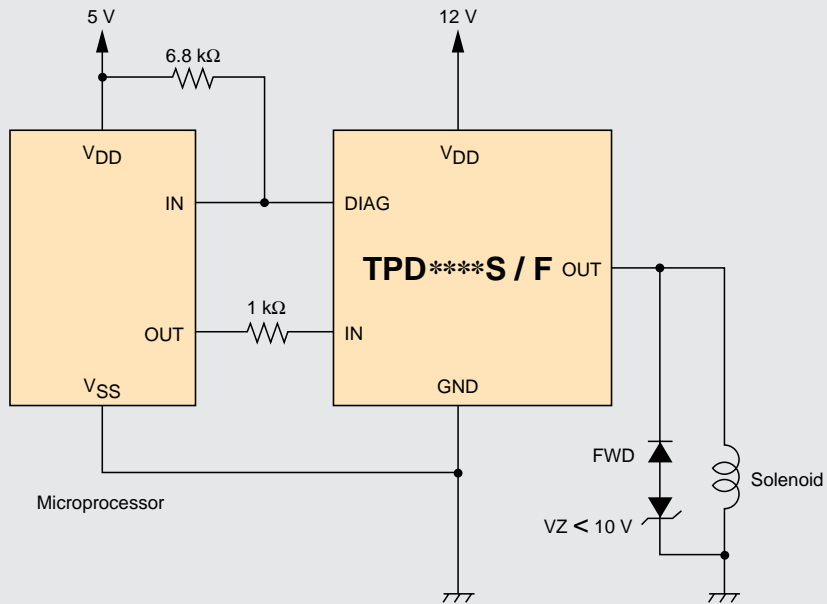
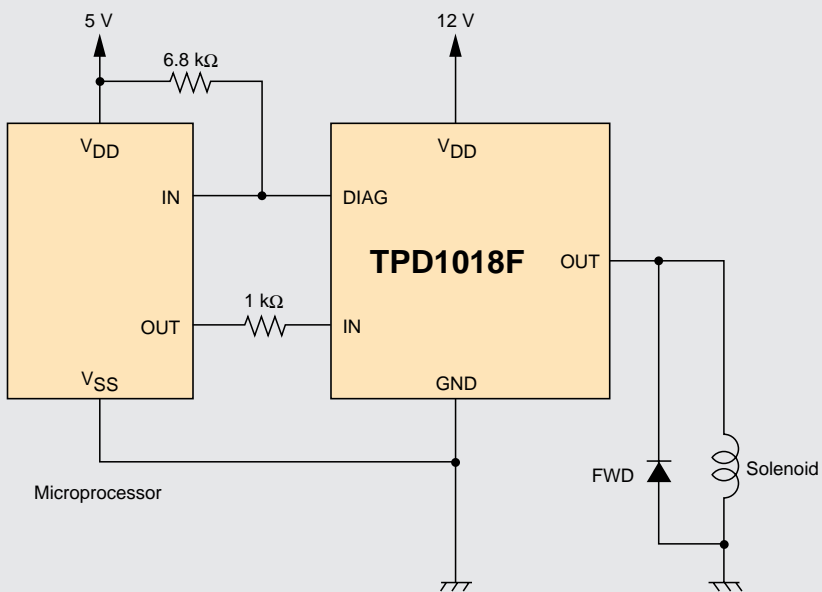


High-side switch

TPD1008SA / TPD1009S / TPD1011S / TPD1033F / TPD1034F

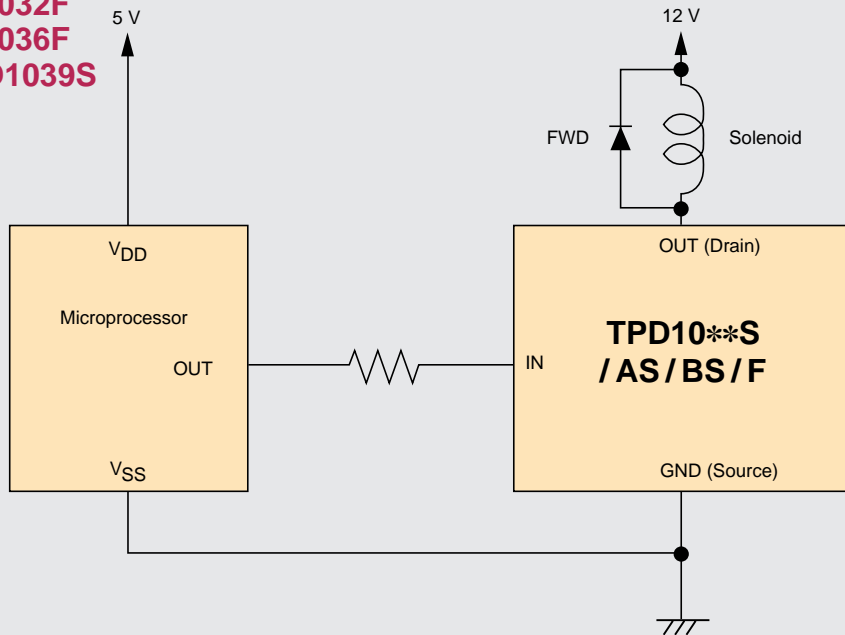


TPD1018F

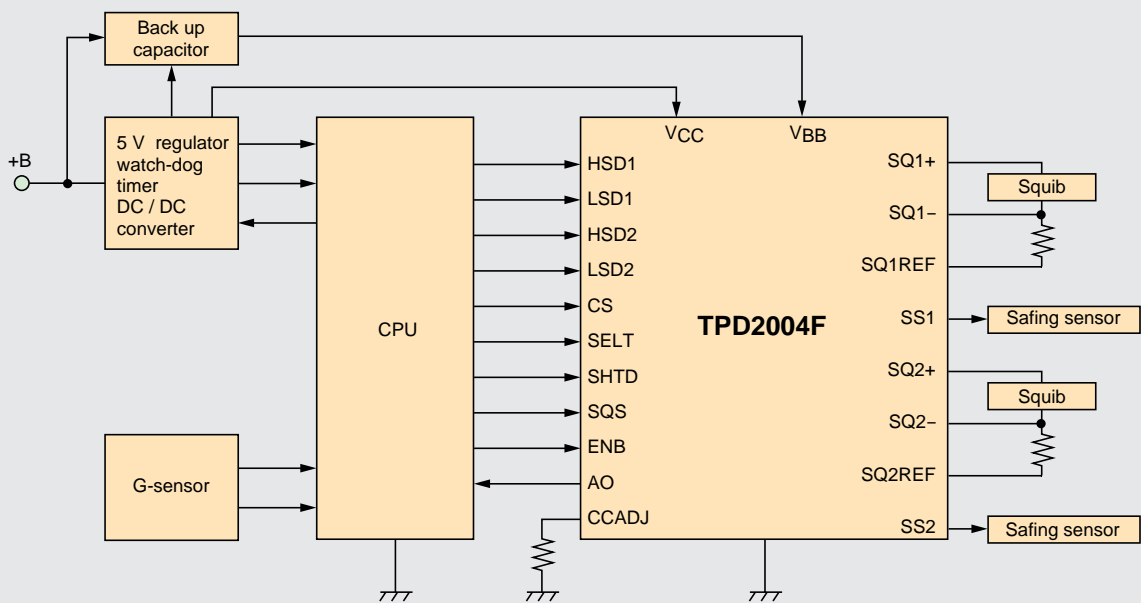


Low-side switch

TPD1024S / TPD1024AS
TPD1028AS
TPD1030F / TPD1032F
TPD1035F / TPD1036F
TPD1037BS / TPD1039S

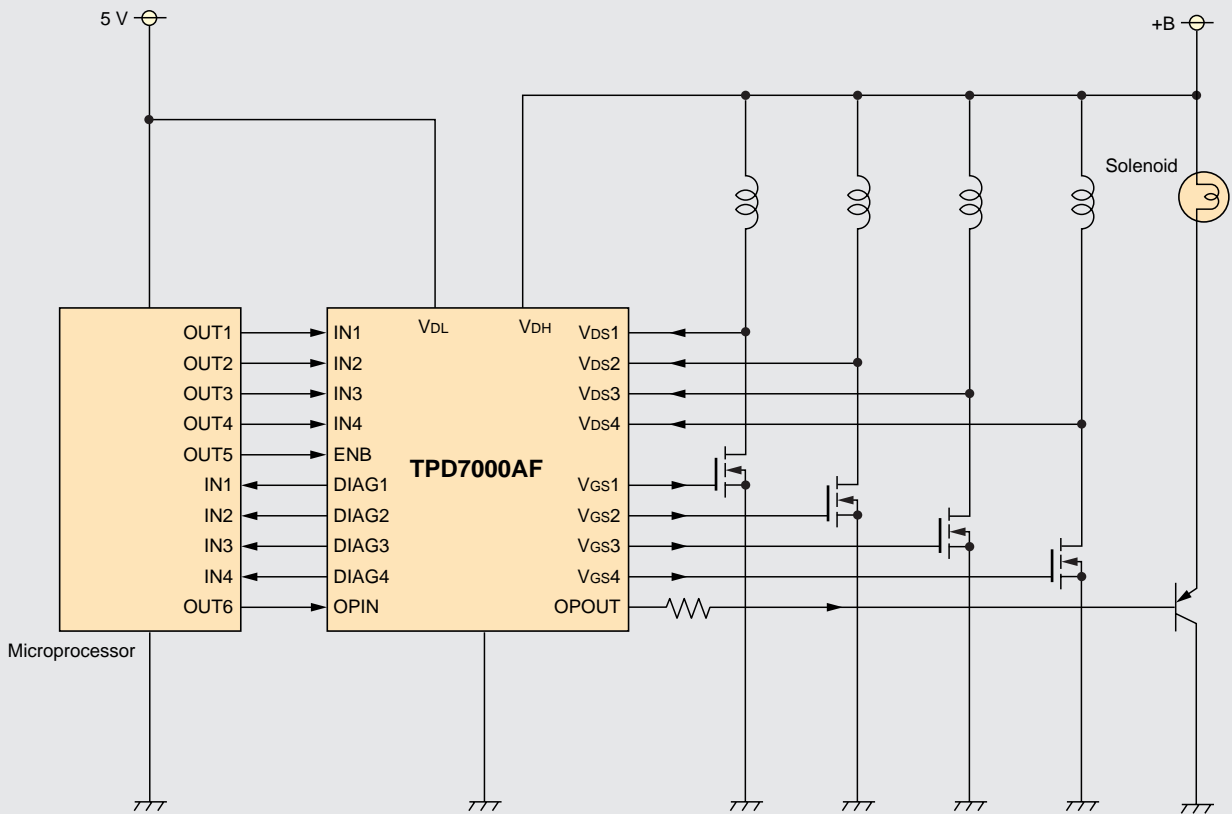


TPD2004F



4-ch low-side N-ch Power MOSFET driver

TPD7000AF



3-phase DC brushless motor driver

