

Intronics

DC 1500 SERIES

15 WATT SINGLE & DUAL OUTPUT
DC-DC CONVERTERS



FEATURES

- Full 2:1 range
- Low profile 0.4" high
- Short circuit and overvoltage protection
- Fully regulated
- Low output ripple & noise
- High reliability
- Input/Output isolation

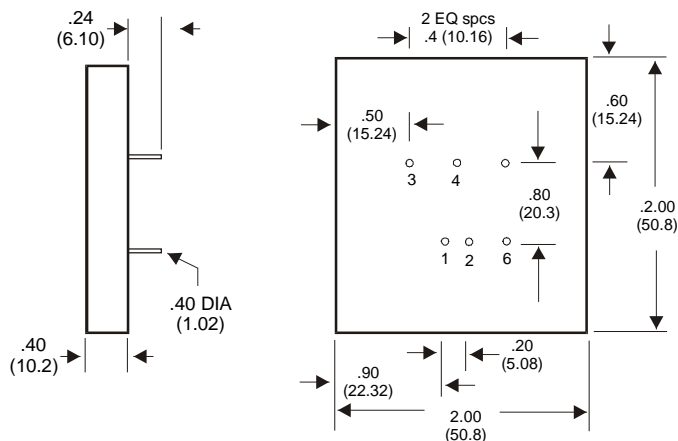
INPUT/OUTPUT SPECIFICATIONS

Input filter: Pi network
 Output voltage accuracy: V1: $\pm 1\%$
 V2: $\pm 2\%$
 Line regulation: (full load):
 $\pm 5\%$ max. (single)
 $\pm 1\%$ max. (dual)
 Load regulation: $\pm 5\%$ max.
 (1/2 to full) $\pm 2\%$ max.
 Temperature coefficient $\pm 0.05\%/^{\circ}\text{C}$
 Ripple & noise (20Mhz BW): 1% pp max.
 Minimum load: 10% of full load
 Short circuit protection: foldback

GENERAL SPECIFICATIONS

Efficiency: up to 81%
 Isolation voltage: 500 Vdc
 Isolation Resistance: 1000 M Ω
 Operating temperature: -25 to $+71^{\circ}\text{C}$
 Storage temperature: -55 to $+125^{\circ}\text{C}$
 EMI/RFI: Six-sided continuous metal
 Shielding
 Case Material: Black coated Cu
 w/ nonconductive bottom
 Size: 2" x 2" x .4"

MODEL NUMBER	INPUT VOLTAGE (Vdc)	OUTPUT VOLTAGE (Vdc)	OUTPUT CURRENT (mA)
DC-1511	9 – 18V	5V	3000mA
DC-1512	9 – 18V	12V	1250mA
DC-1513	9 – 18V	15V	1000mA
DC-1518	9 – 18V	$\pm 12\text{V}$	$\pm 625\text{mA}$
DC-1519	9 – 18V	$\pm 15\text{V}$	$\pm 500\text{mA}$
DC-1521	18 – 36V	5V	3000mA
DC-1522	36 – 72V	12V	1250mA
DC-1523	36 – 72V	15V	1000mA
DC-1528	36 – 72V	$\pm 12\text{V}$	$\pm 625\text{mA}$
DC-1529	18 – 36V	$\pm 15\text{V}$	$\pm 500\text{mA}$
DC-1531	36 – 72V	5V	3000mA
DC-1532	36 – 72V	12V	1250mA
DC-1533	36 – 72V	15V	1000mA
DC-1538	36 – 72V	$\pm 12\text{V}$	$\pm 625\text{mA}$
DC-1539	36 – 72V	$\pm 15\text{V}$	$\pm 500\text{mA}$



PIN CONNECTIONS:

PIN	FUNCTION	
	Single	Dual
1	+Vin (input)	+Vin (input)
2	-Vin (input)	-Vin (input)
3	+Vout (output)	+Vout (output)
4	Trim	Common
5	-Vout (output)	-Vout (output)

Due to ongoing product improvement, specifications are subject to change.

For more Information call 1-800-367-0004

1400 Providence Highway, Building #2, Norwood, Massachusetts 02062 Fax: 781-551-5555

<http://www.intronicspower.com>